

NOTES:

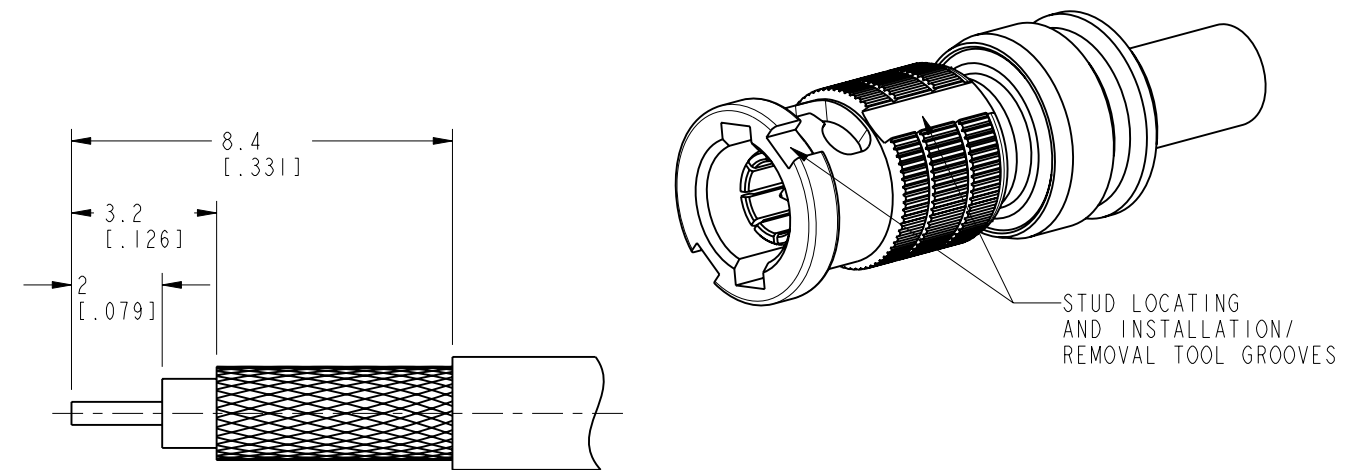
- MATERIALS AND FINISHES:
 BODY-REAR & FERRULE & BAYONET SLEEVE & WASHER & RETAINING RING - BRASS, NICKEL PLATING
 BODY - BeCu, NICKEL PLATING
 CONTACT - PHOSPHOR BRONZE, GOLD PLATING
 INSULATOR - PTFE, NATURAL
- ELECTRICAL:
 A. IMPEDANCE: 50 OHM
 B. FREQUENCY RANGE: DC - 6 GHz
 C. RETURN LOSS: 30 dB MIN FROM DC - 3 GHz
 D. DIELECTRIC WITHSTANDING VOLTAGE: 1000 VRMS, MIN.
- MECHANICAL:
 A. DURABILITY: 500 CYCLES MIN.
 B. TEMPERATURE RANGE: -65°C TO 165°C
- ENVIRONMENTAL:
 A. THERMAL SHOCK PER MIL-STD-202 METHOD 107 TEST CONDITION B (EXCEPT HIGH TEMP @200°C)
 B. VIBRATION: MIL-STD-202 METHOD 204 TEST CONDITION B
 C. SHOCK: MIL-STD-202 METHOD 213 TEST CONDITION B
 D. CORROSION: MIL-STD-202 METHOD 101 TEST CONDITION B 5% SALT SOLUTION
 E. SEALING: IP-67 IN MATED CONDITION

- PACKAGING:
 A. QUANTITY: SINGLE PACK
 B. MARKING: BAG TO BE MARKED: "AMPHENOL RF, 34-5067 DATE CODE"
- HIGH DENSITY INSTALLATION/REMOVAL TOOL: 227-T2000
- CABLE ASSEMBLY INSTRUCTIONS:
 A. TRIM CABLE AS SHOWN.
 C. SOLDER CONTACT TO CABLE CENTER CONDUCTOR.
 D. INSERT CONTACT AND CABLE INTO CONNECTOR UNTIL CONTACT BOTTOMS INSIDE OF CONNECTOR.
 E. CRIMP FERRULE WITH .128" HEX.
 F. APPLY HEAT SHRINK TUBING OVER FERRULE.
 G. HEAT SHRINK TUBING SHOULD FULLY (360 DEG) COVER THE BUMP ON BODY AND END WITHIN AREA "A"
- ADHESIVE LINED HEAT SHRINK TUBE IS INCLUDED (NOT SHOWN)

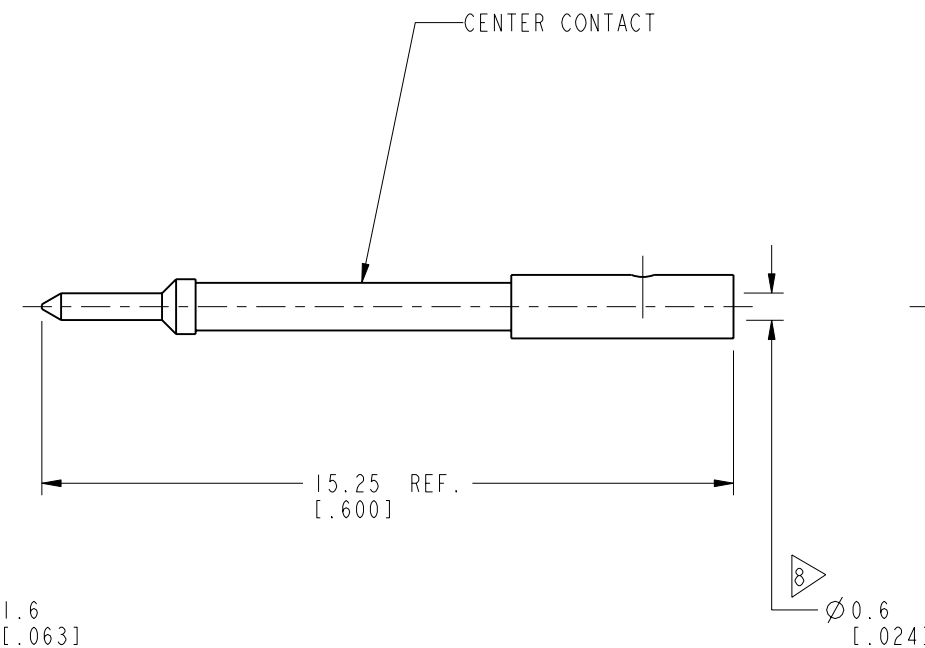
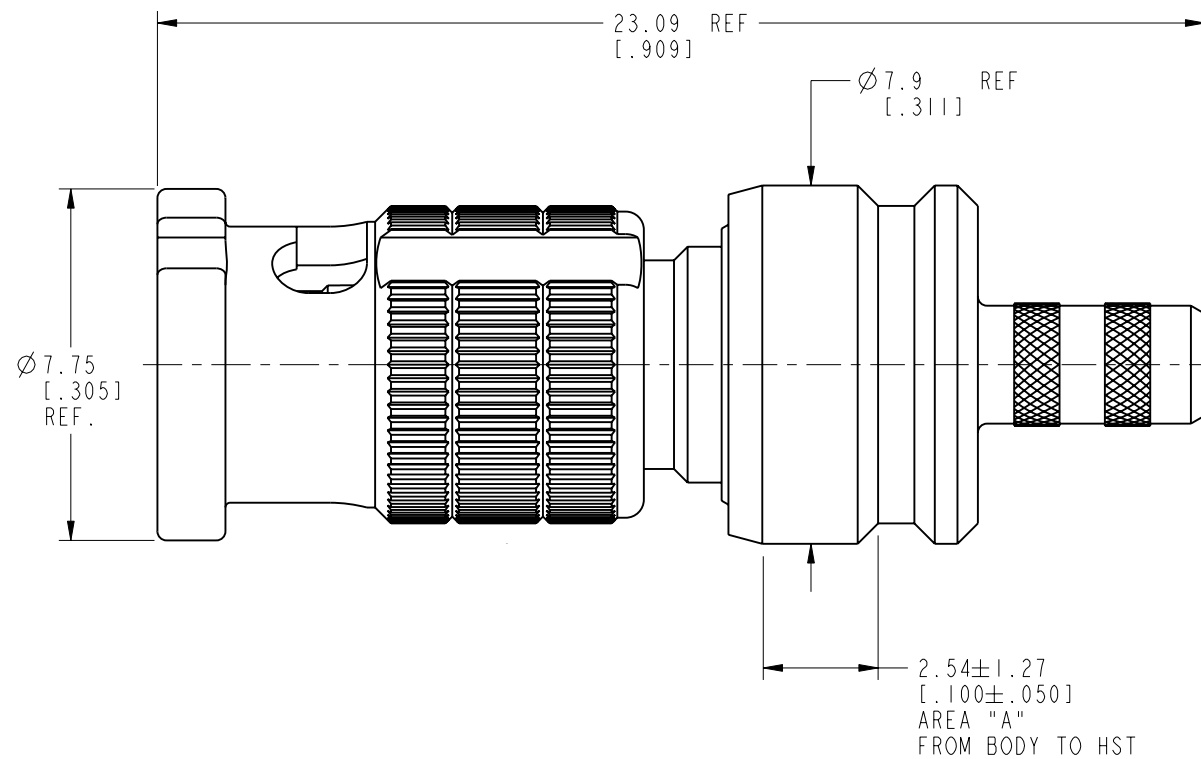
8 SHOWS CABLE ENTRY DIMENSIONS.

THIRD ANGLE PROJ.

REVISIONS				
REV	DESCRIPTION	DATE	ECN	APPR
A	RELEASE TO MFG.	14-Mar-19	11022	SV



RECOMMENDED CABLE STRIPPING DIMENSIONS
SCALE 6.000



CUSTOMER OUTLINE DRAWING

ALL OTHER SHEETS ARE FOR INTERNAL USE ONLY

UNLESS OTHERWISE SPECIFIED, DIMENSIONS ARE IN METRIC AND TOLERANCES ARE: <0.5mm ± 0.05mm 0.5 - 6mm ± 0.1mm 6 - 30mm ± 0.2mm 30 - 120mm ± 0.3mm ANGLES ± 1°	MATERIAL SEE NOTES	DRAWN W. ZENG	DATE 29-Mar-19	TITLE 50 OHM HD-BNC STR PLUG FOR RG-316 CABLE IP-67 IN MATED CONDITION	Amphenol RF www.amphenolrf.com
	REFERENCE EAR# 8970 REF: 34-5017	ENGINEER S. DUAN	DATE 3-Apr-19		
NOTICE - These drawings, specifications, or other data (1) are, and remain the property of Amphenol corp. (2) must be returned upon request; and (3) are confidential and not to be disclosed to any person other than those to whom they are given by Amphenol Corp. the furnishing of these drawings, specifications, or other data by Amphenol Corp., or to any other person to anyone for any purpose is not to be regarded by implication or otherwise in any manner licensing, granting rights to permitting such holder or any other person to manufacture, use or sell any product, process or design, patented or otherwise, that may in any way be related to or disclosed by said drawings, specifications, or other data.	CONFIGURATION LEVEL: In Work	APPROVED S. HSIEH	DATE 3-Apr-19	DWG SIZE B	REV A
	FINISH	CAD FILE			