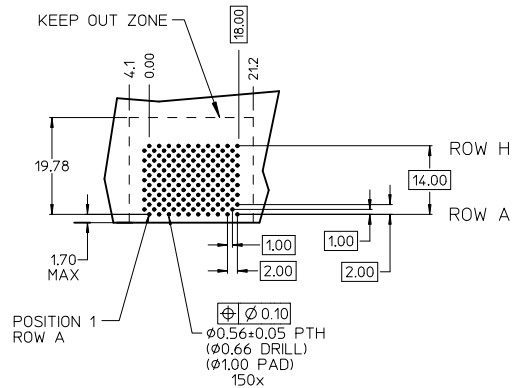


LEAD-FREE
PLATING

NOTES: (UNLESS OTHERWISE SPECIFIED)

- MATERIALS: HOUSING - LIQUID CRYSTAL POLYMER (LCP), GLASS-FILLED, UL94V-0, BLACK.
TERMINALS - HIGH PERFORMANCE COPPER ALLOY.
STIFFENER - STAINLESS STEEL.
- FINISH: SELECTIVE GOLD (Au) IN CONTACT AREA, 0.76 micrometers MINIMUM THICKNESS, SELECTIVE MATTE TIN (Sn) ON PCB TAILS, NICKEL (Ni) UNDERPLATE OVERALL.
- REFER TO MOLEX PRODUCT SPECIFICATION PS-74031-999 FOR PERFORMANCE SPECIFICATIONS.
- REFER TO MOLEX DOCUMENT SD-74041-002 FOR ADDITIONAL DETAIL ON THE SIGNAL WAFER.
- PARTS ARE PACKAGED IN TUBES PER PK-70873-5041.
- THIS PRODUCT CONFORMS TO CLASS'B' REQUIREMENTS OF MOLEX COSMETIC SPECIFICATION PS-45499-002.



DAUGHTERCARD HOLE PATTERN
(CONNECTOR SIDE)

ITEM	PART NUMBER	DESCRIPTION	QTY
1	74046-0021	STIFFENER	1
2	74041-1001	SIGNAL WAFER, LF	10

CUSTOMER: TEKELEC

CHG TO LEAD-FREE EC NO: UCP2012-2119 DRAWN BY: JONIAK CHECKED BY: LAURX APPROVED BY: SREED DATE: 2012/01/12 DATE: 2012/01/12 DATE: 2012/02/09 DESCRIPTION:	QUALITY SYMBOLS	GENERAL TOLERANCES (UNLESS SPECIFIED)	DIMENSION STYLE	SCALE	DESIGN UNITS	THIRD ANGLE PROJECTION	
	▽=0	mm INCH	MM ONLY	2:1	METRIC	☉	
	▽=0	4 PLACES ± --- ± ---	DRAWN BY: JONIAK	DATE: 2012/03/13	TITLE: VHDM 8 ROW, LF DAUGHTERCARD SALES DRAWING	MOLEX INCORPORATED	
	▽=0	3 PLACES ± --- ± --- 2 PLACES ±0.25 ± --- 1 PLACE ±0.38 ± --- ANGULAR ±1/2°	CHECKED BY: LAURX	DATE: 2012/03/13	DATE: 2012/03/13	MOLEX INCORPORATED	
	DRAFT WHERE APPLICABLE MUST REMAIN WITHIN DIMENSIONS	MATERIAL NO: 74040-0900	DOCUMENT NO: SD-74040-900	SHEET NO: 1 OF 1			
THIS DRAWING CONTAINS INFORMATION THAT IS PROPRIETARY TO MOLEX INCORPORATED AND SHOULD NOT BE USED WITHOUT WRITTEN PERMISSION							