

F

E

D

C

B

A

F

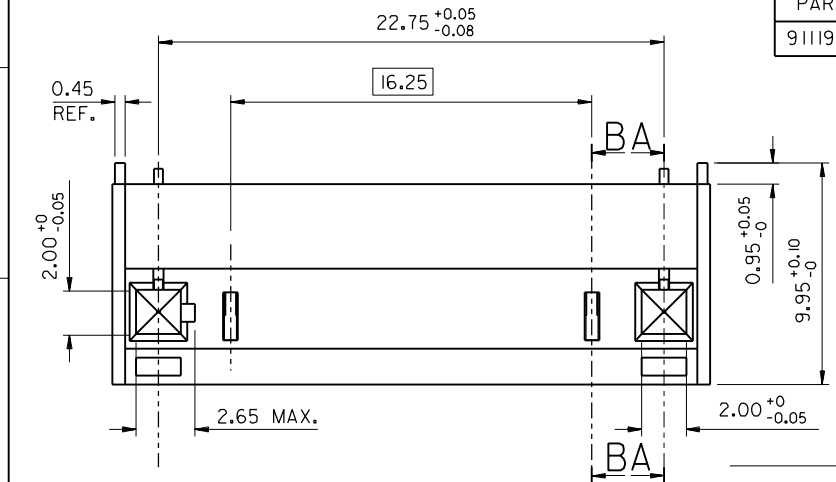
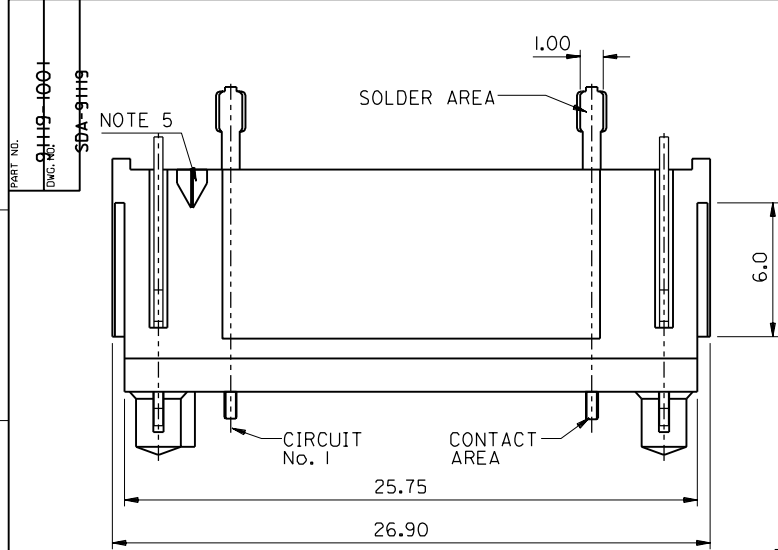
E

D

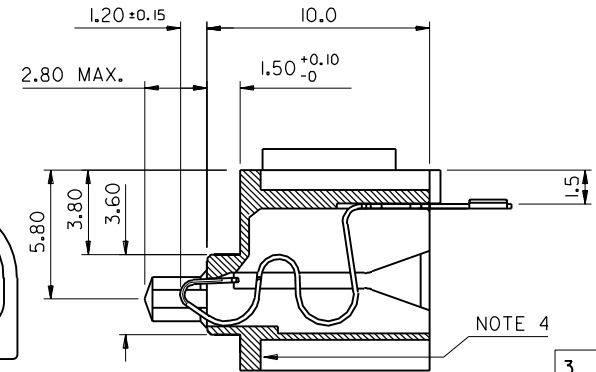
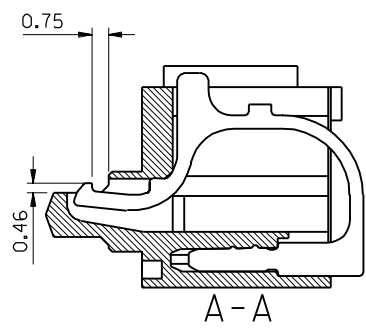
C

B

A



PART No.	LOADED CIRCUITS
91119-1001	1 & 14



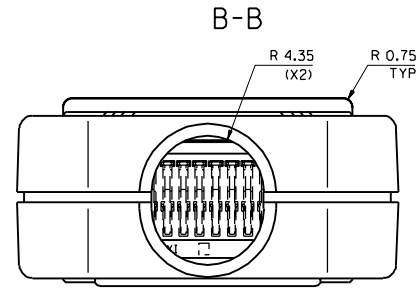
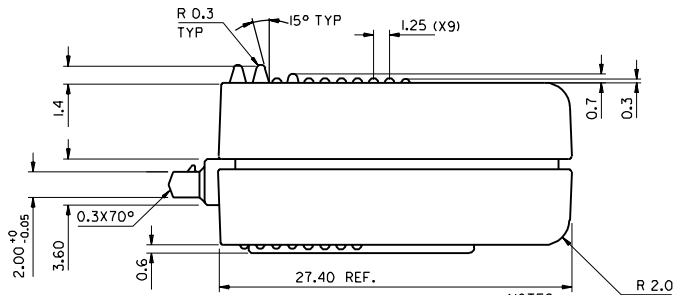
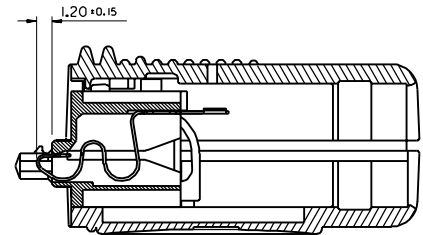
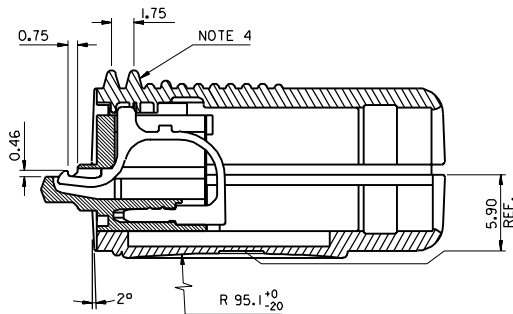
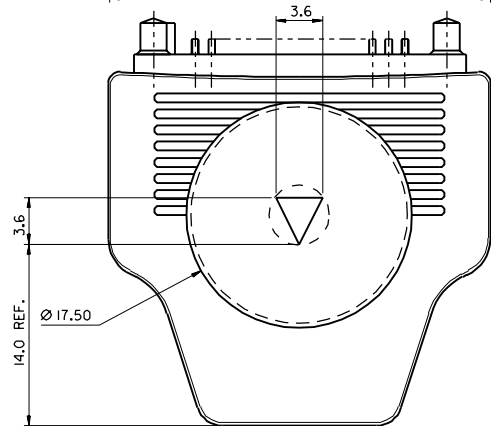
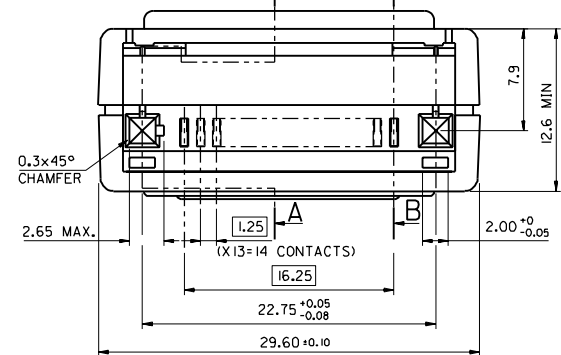
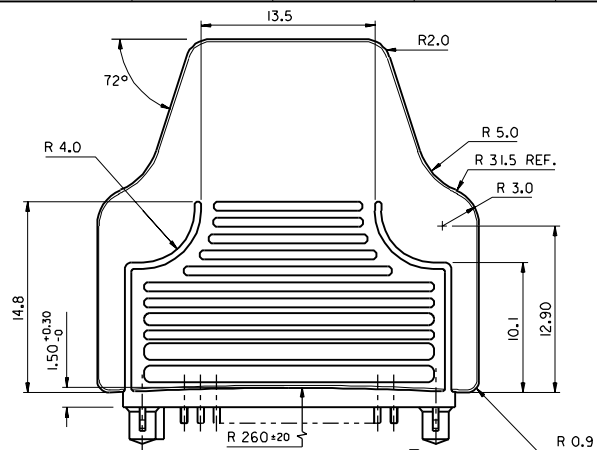
3	A10
2	A10
1	A10
SH.	REV.

NOTES:

- MATERIALS: HOUSING: NYLON 4/6 (PA 4/6), 45% GLASS FILL, UL94V-0
COLOUR:BLACK.
TERMINALS: 0.20 REF. THK. PHOSPHOR BRONZE
LATCHES: 0.40 REF. THK. STAINLESS STEEL
PLATING: NICKEL 1.27um MIN.UNDERCOAT OVERALL
0.10um MIN.GOLD FLASH ON 1.0um MIN.
PALLADIUM-NICKEL (80/20) IN CONTACT AREA.
3-5um MIN. TIN-LEAD (90/10) IN SOLDER TAIL AREA.
- PACKAGING: TRAY PER 99025-0029.
- SEE PRODUCT SPECIFICATION PS-99020-0054.
- PART No., 'MXI' AND CAVITY I.D. TO BE 0.1mm MAX. ABOVE THIS SURFACE.
- SOLDER I.D. RIB RAISED 0.20mm ABOVE FLOOR OF WELL.
WELL TO BE 0.2mm MAX. DEEP.
- FORCE AT 0.30mm DEFLECTION = 0.35N (MIN.).
FORCE AT 0.80mm DEFLECTION = 1.0N (MAX.).

FOR PREVIOUS DRAWING ISSUES SEE MRI.	VARIOUS MODS. ECN E80116 '97/10/30 J O' C	DIMENSIONS SHOWN (METRIC) INCH UNLESS OTHERWISE SPECIFIED TOLERANCES: ANGULAR ± 1/2°	DRWG BY JJO
	A10	INCH (METRIC)	CHK'D BY
		3 PLACE ± .	APP'D BY
	LTR	REVISIONS	2 PLACE ± . ± 0.05
		1 PLACE ± . ± 0.10	5:1
		DRAFT WHERE APPLICABLE MUST REMAIN WITHIN DIMENSIONS	
		DESIGN DIMENSION (PRIMARY) <input checked="" type="checkbox"/> (MM) <input type="checkbox"/> IN.	
		EQUIVALENT DIMENSION (SECONDARY) <input type="checkbox"/> (MM) <input type="checkbox"/> IN.	

REVISE ONLY ON CAD SYSTEM		CAD/CAM FILENAME S91119X1.DGN	THIS DRAWING CONTAINS INFORMATION THAT IS PROPRIETARY TO MOLEX INC. & SHOULD NOT BE USED WITHOUT WRITTEN PERMISSION	
TITLE MOBILE PHONE CONTACT UNIT FOR WIRE				
MOLEX EUROPE		SHEET NO. DATE 10F3 96/01/23		
PART NO. 91119-1001	DWG NO. SDA-91119	SIZE B		



NOTES:

- MATERIALS: SHELLS: PC/ABS, UL94 V-0
COLOUR:BLACK.
CONTACT UNIT HOUSING: NYLON 4/6 (P/A 4/6),
45% GLASS FILL, UL94V-0, COLOUR:BLACK.
TERMINALS: 0.20 REF. THK. PHOSPHOR BRONZE
LATCHES: 0.40 REF. THK. STAINLESS STEEL
PLATING: NICKEL 1.27µm MIN. UNDERCOAT OVERALL
0.10µm MIN. GOLD FLASH ON 1.0µm MIN.
PALLADIUM-NICKEL (80/20) IN CONTACT AREA.
3-5µm MIN. TIN-LEAD (90/10) IN SOLDER TAIL AREA.
- PACKAGING: CONTACT UNIT ASSEMBLIES IN TRAY 99025-0029, SHELLS IN BAGS.
- SEE PRODUCT SPECIFICATION PS-99020-0054.
- FLEXIBLE BUTTON ACTIVATES LATCHES.
- FORCE AT 0.30mm DEFLECTION = 0.35N (MIN.).
FORCE AT 0.80mm DEFLECTION = 1.0N (MAX.).
- FOR ILLUSTRATION PURPOSES KIT No. 91119-2001 IS SHOWN.

PART NO. PLUG KIT (INCLUDES SHELLS)	LOADED CIRCUITS	POWERED CIRCUITS	CONTACT UNIT ASSEMBLY USED IN KIT
91119-2001	1 & 14	1 & 14	91119-1001
91119-2002	1 THROUGH 14	1 THROUGH 14	91119-0004
91119-2003	1 THROUGH 14	1, 3, 5, 6, 8, 10, 12	91119-0002
91119-2004	1 THROUGH 14	1, 4, 11, 12, 14	91119-0003

FOR PREVIOUS DRAWING ISSUES SEE MRL.

A10 SEE SHEET 1.

LT	REVISIONS	DATE	BY

REVISIONS		DIMENSIONS SHOWN (METRIC) INCH		DRAWN BY		REV. 1	
UNLESS OTHERWISE SPECIFIED TOLERANCES ARE AS FOLLOWS:		INCH (METRIC)		JJO		SHL	
3 PLACE #	± 0.05						
2 PLACE #	± 0.10						
1 PLACE #	± 0.10						
NOTE: DIMENSIONS APPLICABLE MUST REMAIN WITHIN DIMENSIONS							
DESIGN DIMENSION (PRIMARY)		□ IN. □ MM		SCALE			
EQUIVALENT DIMENSION (SECONDARY)		□ IN. □ MM		4:1			
CAD/CAM FILE NAME: SDA-91119.DWG				THIS DRAWING CONTAINS INFORMATION THAT IS PROPRIETARY TO MOLEX INC. & SHOULD NOT BE USED WITHOUT WRITTEN PERMISSION			
TITLE: MOBILE PHONE PLUG CONNECTOR							
MOLEX EUROPE				SHEET NO. DATE			
PART NO. SEE CHART				20F 96/02/13			
DWG. NO. SDA-91119				SIZE C			