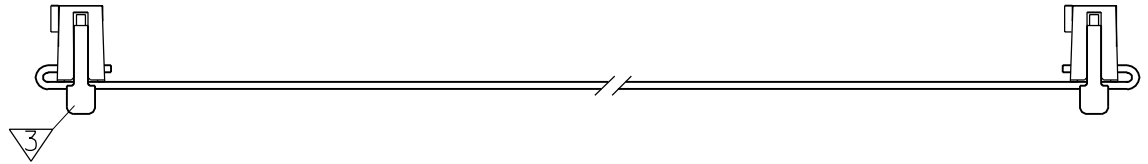
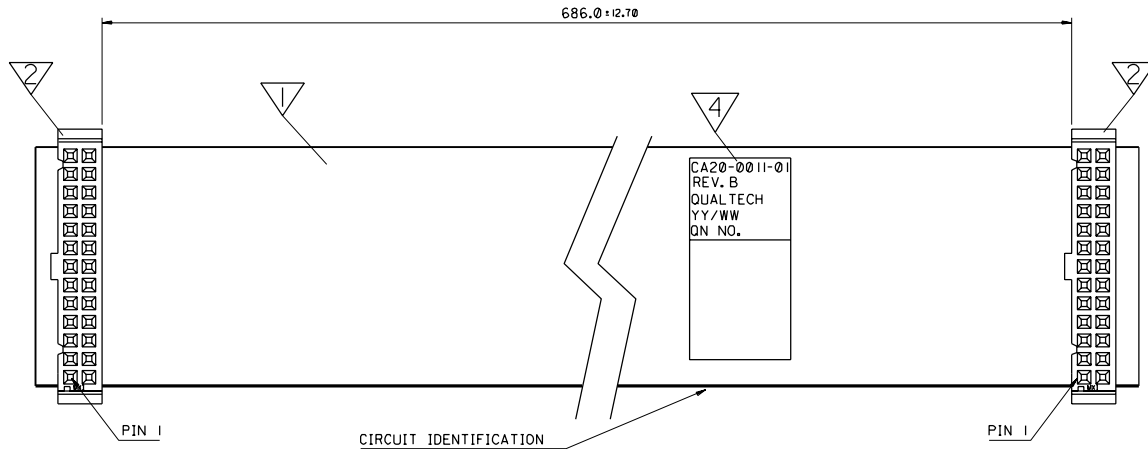


PART NO. 92301-0134  
 DWG NO. SD-92301-213



ITEM	COMPONENT	SUPPLIER	DESCRIPTION	QUANTITY	NOTE
1	99026-0037	MOLEX	26cc+ RIBBON CABLE 28 AWG 1.27mm PITCH	1	2, 3,4
2	90635-1261	MOLEX	1.27mm 0F-50 RECEPTACLE	2	1, 3
3	90170-0026	MOLEX	STRAIN RELIEF FOR 26cc+ CONNECTOR	2	3
4	DAT-37-292	BRADY	LABEL	1	4

NOTES:

1. SEE PRODUCT SPECIFICATION PS-99020-0015.
2. SEE CABLE SPECIFICATION ES-99027-0006.
3. ALL HARNESS TO BE 100% ELECTRICALLY TESTED.
4. POSITION LABEL IN CENTRE OF CABLE.

CHANGE IN P/N EC No. 2000-0375 DRAWN/BENRIGHT 99/0/29 CHK: / / / / APP: / / / / REV A2	QUALITY SYMBOLS MAJOR = CRITICAL =	GENERAL TOLERANCES: (UNLESS SPECIFIED)		SCALE 2 : 1	DESIGN UNITS <input checked="" type="checkbox"/> mm <input type="checkbox"/> INCH	THIRD ANGLE PROJECTION <input type="checkbox"/> mm INCH <input checked="" type="checkbox"/> INCH mm <input type="checkbox"/> mm ONLY	SHT	REV
		4 PLACES ±0. ±.	3 PLACES ±0. ±.	2 PLACES ±0. ±.	1 PLACE ±0. ±.		ANGULAR: ± 1/2°	DRAWN BY & DATE BENRIGHT 99/06/16
DRAFT WHERE APPLICABLE MUST REMAIN WITHIN DIMENSIONS						APPROVED BY & DATE MWILHITE 99/06/16	MATERIAL NO. 92301-0134	
						CAD FILENAME	MOLEX INCORPORATED	
						DRAWING NO. SD - 92301-213		SHEET NO. 1 OF 1
						THIS DRAWING CONTAINS INFORMATION THAT IS PROPRIETARY TO MOLEX INCORPORATED AND SHOULD NOT BE USED WITHOUT WRITTEN PERMISSION.		SIZE C