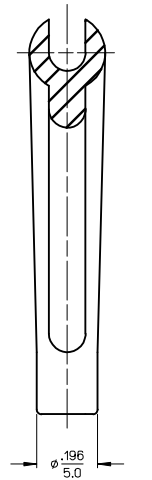
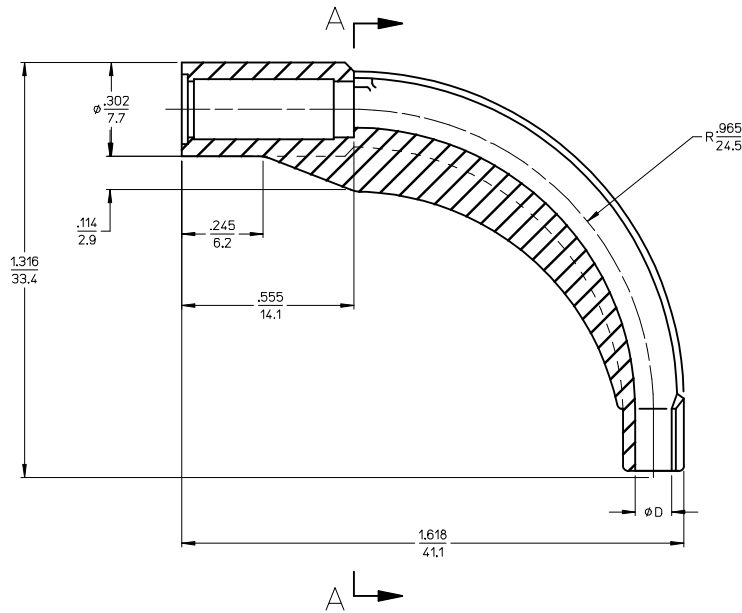
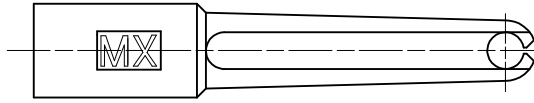


P/N OF BOOT	CABLE DIAMETER	COLOR OF BOOT	ØD
106010-3601	2.4 mm	BLACK	$\frac{.086}{2.2}$
106010-3401	3.0 mm	BLACK	$\frac{.118}{3.0}$
106010-0442		BLUE	
106010-0443		BEIGE	



SECTION A-A

NOTE:

MATERIAL - THERMOPLASTIC ELASTOMER (TPE)
 FLAMMABILITY RATING UL94 V-0.
 COLOR - SEE TABLE.

ENTER DESCRIPTION EC NO: MF2016-0347 DRAWN: AALMASS 2016/01/06 CHKD: LGUMIN APPR: LGUMIN 2016/02/22	QUALITY SYMBOLS	GENERAL TOLERANCES (UNLESS SPECIFIED)	DIMENSION STYLE	SCALE	DESIGN UNITS	THIRD ANGLE PROJECTION	
	$\nabla=0$ $\nabla=0$	mm	IN/MM	2.5:1	INCH	BOOT ST CONN. 90 DEGREE molex	
		4 PLACES	± ---	± ---	DRAWN BY		DATE
		3 PLACES	± ---	± .005	IBIRKHOLZ		2015/10/09
	2 PLACES	± ---	± .01	CHECKED BY	DATE	TITLE	
	1 PLACE	± ---	± ---	APPROVED BY	DATE		
	0 PLACE	± ---	± ---		2016/02/22		
		ANGULAR ±1/2°		MATERIAL NO.	DOCUMENT NO.	SHEET NO.	
		DRAFT WHERE APPLICABLE MUST REMAIN WITHIN DIMENSIONS		SEE TABLE	SD-106010-3401	1 OF 1	
				THIS DRAWING CONTAINS INFORMATION THAT IS PROPRIETARY TO MOLEX INCORPORATED AND SHOULD NOT BE USED WITHOUT WRITTEN PERMISSION			