

| MOLEX P/N  | LENGTH (M) | LENGTH TOLERANCE (mm) | AWG |
|------------|------------|-----------------------|-----|
| 1110751000 | 0.5        | ±25                   | 30  |
| 1110751001 | 1.0        | ±50                   | 30  |
| 1110751125 | 1.2        | ±50                   | 30  |
| 1110751160 | 1.45       | ±50                   | 30  |
| 1110753112 | 1.5        | ±50                   | 30  |
| 1110751185 | 1.8        | ±50                   | 30  |
| 1110751002 | 2.0        | ±50                   | 30  |
| 1110751025 | 2.5        | ±50                   | 28  |
| 1110751003 | 3.0        | ±100                  | 28  |
| 1110751026 | 3.5        | ±100                  | 28  |
| 1110751004 | 4.0        | ±100                  | 26  |
| 1110751005 | 5.0        | ±100                  | 26  |
| 1110751027 | 5.5        | ±100                  | 26  |
| 1110751006 | 6.0        | ±100                  | 26  |
| 1110751007 | 7.0        | ±150                  | 24  |
| 1110751008 | 8.0        | ±150                  | 24  |

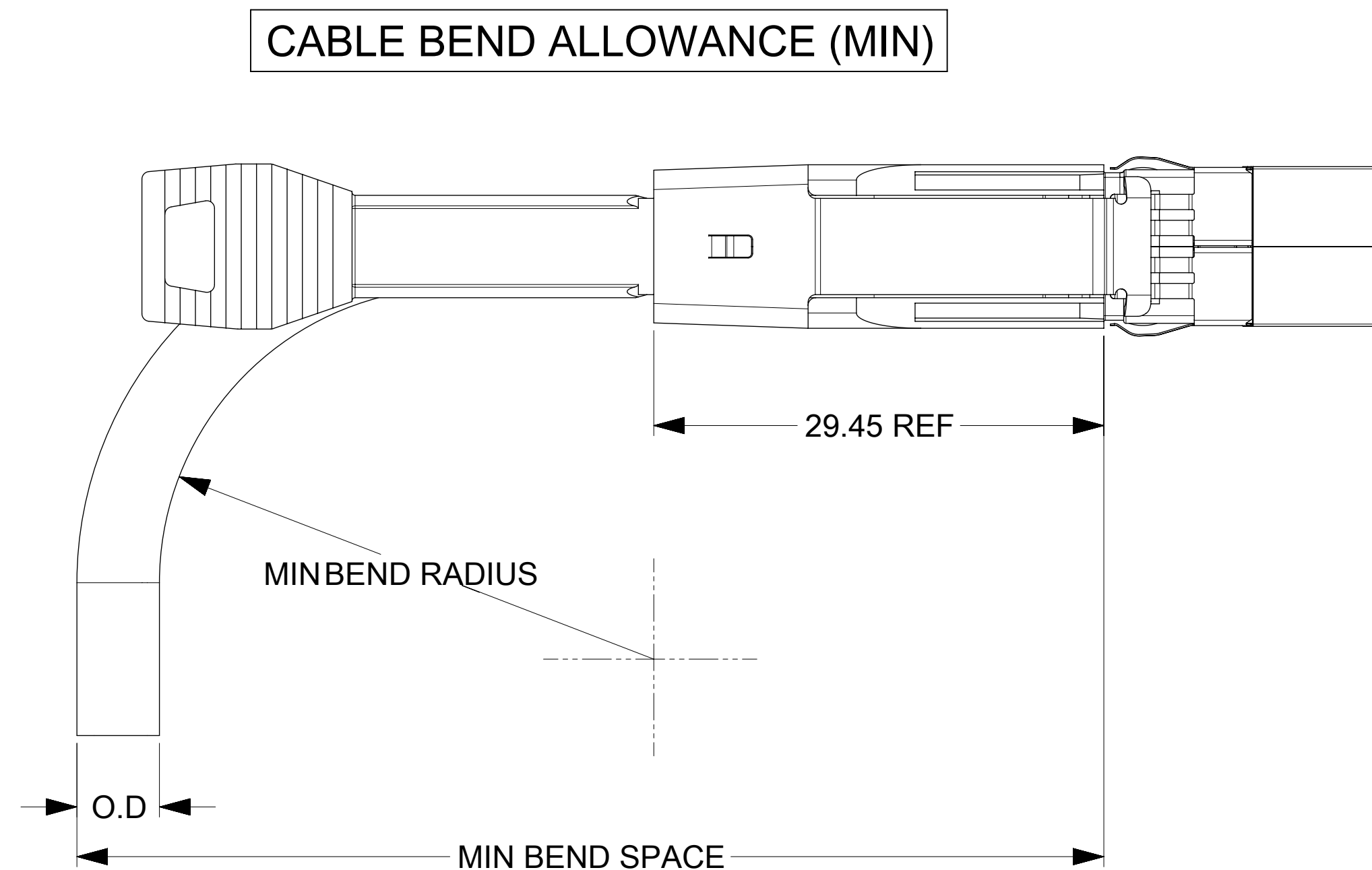
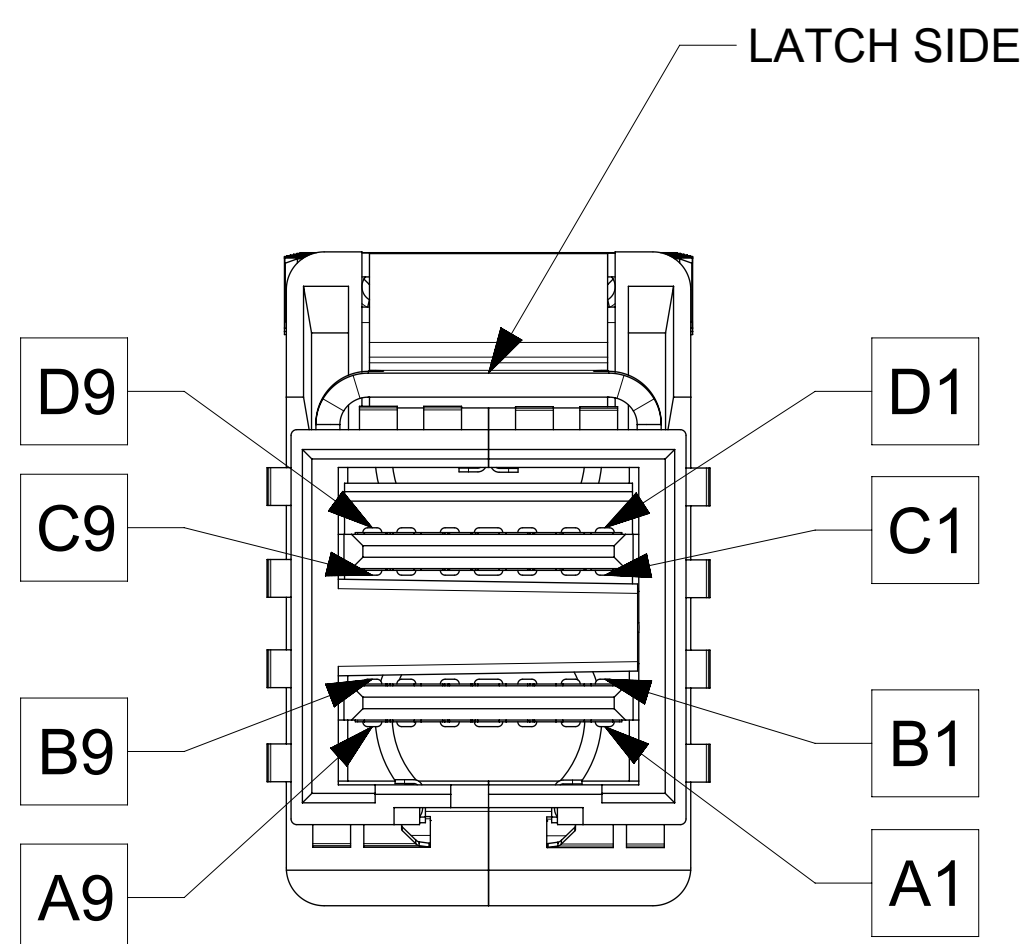
- NOTES:
- MATERIAL =  
 BACKSHELLS - NICKEL PLATED ZINC DIECAST  
 LATCH - STAINLESS STEEL  
 PULL - HALOGEN FREE THERMOPLASTIC ELASTOMER (TPE)
  - THIS PRODUCT CONFORMS TO THE MECHANICAL DIMENSIONING OF SFF-8644 AND ELECTRICAL PERFORMANCE REQUIREMENTS OF SAS 3.0
  - RoHS COMPLIANT. NO EXEMPTIONS.
  - TAPE CABLE BUNDLES EVERY 1/2 METER (APPROXIMATELY)
  - PROTECTIVE DUST CAP TO BE INSTALLED ONTO EACH PLUG (NOT SHOWN).

THIS DRAWING CONTAINS INFORMATION THAT IS PROPRIETARY TO MOLEX ELECTRONIC TECHNOLOGIES, LLC AND SHOULD NOT BE USED WITHOUT WRITTEN PERMISSION

|                                                         |                        |                                           |                          |                |              |
|---------------------------------------------------------|------------------------|-------------------------------------------|--------------------------|----------------|--------------|
| DIMENSION UNITS<br><b>mm</b>                            | SCALE<br><b>2:1</b>    | CURRENT REV DESC: ADDED 1.2M LENGTH<br>PN | <b>molex</b>             |                |              |
| GENERAL TOLERANCES (UNLESS SPECIFIED)                   |                        | EC NO: 603033                             |                          |                |              |
| ANGULAR TOL ± °                                         |                        | DRWN: KNAGANNA 2018/07/13                 | PRODUCT CUSTOMER DRAWING |                |              |
| 4 PLACES ±                                              |                        | CHK'D: NSRIVATSAHS 2018/08/17             | DOCUMENT NUMBER          |                |              |
| 3 PLACES ±                                              |                        | APPR: KNAGANNA 2018/08/23                 | 1110751000               |                |              |
| 2 PLACES ± 0.13                                         |                        | INITIAL REVISION:                         | DOC TYPE                 | DOC PART       | REVISION     |
| 1 PLACE ± 0.25                                          |                        | DRWN: GSARVADE 2018/03/20                 | PSD                      | 000            | J            |
| 0 PLACES ±                                              |                        | APPR: ARAYBURN 2018/03/23                 | SHEET NUMBER             |                |              |
| DRAFT WHERE APPLICABLE<br>MUST REMAIN WITHIN DIMENSIONS | THIRD ANGLE PROJECTION | DRAWING SERIES                            | MATERIAL NUMBER          | CUSTOMER       | SHEET NUMBER |
|                                                         |                        | D-SIZE 111075                             | SEE PN TABLE             | GENERAL MARKET | 1 OF 3       |

| MINISAS HD WIRING CHART |    |         |    |         |
|-------------------------|----|---------|----|---------|
|                         |    | -P1-    |    | -P2-    |
| GND                     | D9 | -----   | B9 | GND     |
| Tx2-                    | D8 | →       | B8 | Rx2-    |
| Tx2+                    | D7 | →       | B7 | Rx2+    |
| GND                     | D6 | -----   | B6 | GND     |
| Tx0-                    | D5 | →       | B5 | Rx0-    |
| Tx0+                    | D4 | →       | B4 | Rx0+    |
| GND                     | D3 | -----   | B3 | GND     |
| Vman                    | D2 | ** █ ** | B2 | ModPrsL |
| Vact                    | D1 | ** █ ** | B1 | Vact    |
| SCL                     | C1 | ** █ ** | A1 | Rsv     |
| SDA                     | C2 | ** █ ** | A2 | IntL    |
| GND                     | C3 | -----   | A3 | GND     |
| Tx1+                    | C4 | →       | A4 | Rx1+    |
| Tx1-                    | C5 | →       | A5 | Rx1-    |
| GND                     | C6 | -----   | A6 | GND     |
| Tx3+                    | C7 | →       | A7 | Rx3+    |
| Tx3-                    | C8 | →       | A8 | Rx3-    |
| GND                     | C9 | -----   | A9 | GND     |
| GND                     | B9 | -----   | D9 | GND     |
| Rx2-                    | B8 | ←       | D8 | Tx2-    |
| Rx2+                    | B7 | ←       | D7 | Tx2+    |
| GND                     | B6 | -----   | D6 | GND     |
| Rx0-                    | B5 | ←       | D5 | Tx0-    |
| Rx0+                    | B4 | ←       | D4 | Tx0+    |
| GND                     | B3 | -----   | D3 | GND     |
| ModPrsL                 | B2 | ** █ ** | D2 | Vman    |
| Vact                    | B1 | ** █ ** | D1 | Vact    |
| Rsv                     | A1 | ** █ ** | C1 | SCL     |
| IntL                    | A2 | ** █ ** | C2 | SDA     |
| GND                     | A3 | -----   | C3 | GND     |
| Rx1+                    | A4 | ←       | C4 | Tx1+    |
| Rx1-                    | A5 | ←       | C5 | Tx1-    |
| GND                     | A6 | -----   | C6 | GND     |
| Rx3+                    | A7 | ←       | C7 | Tx3+    |
| Rx3-                    | A8 | ←       | C8 | Tx3-    |
| GND                     | A9 | -----   | C9 | GND     |

LEGEND:  
 \*\* = RESERVED FOR POWER AND MANAGEMENT INTERFACE  
 → = TRANSMIT TO RECEIVE ON HIGH SPEED LINES  
 ----- = THRU LINES  
 █ = CONNECTION TO A DEVICE ON THE PCB



| GUAGE | O.D | MINIMUM BEND RADIUS (mm) | MINIMUM BEND SPACE (mm) |
|-------|-----|--------------------------|-------------------------|
| 30    | 5.1 | 26                       | 60                      |
| 28    | 5.6 | 28                       | 63                      |
| 26    | 6.9 | 35                       | 71                      |
| 24    | 7.6 | 38                       | 75                      |

THIS DRAWING CONTAINS INFORMATION THAT IS PROPRIETARY TO MOLEX ELECTRONIC TECHNOLOGIES, LLC AND SHOULD NOT BE USED WITHOUT WRITTEN PERMISSION

|                                                            |                        |                                           |                          |                 |                |
|------------------------------------------------------------|------------------------|-------------------------------------------|--------------------------|-----------------|----------------|
| DIMENSION UNITS<br><b>mm</b>                               | SCALE<br><b>3:1</b>    | CURRENT REV DESC: ADDED 1.2M LENGTH<br>PN | <b>molex</b>             |                 |                |
| GENERAL TOLERANCES (UNLESS SPECIFIED)                      |                        | EC NO: 603033                             |                          |                 |                |
| ANGULAR TOL ± °                                            |                        | DRWN: KNAGANNA 2018/07/13                 | PRODUCT CUSTOMER DRAWING |                 |                |
| 4 PLACES ±                                                 |                        | CHK'D: NSRIVATSAHS 2018/08/17             | DOCUMENT NUMBER          |                 |                |
| 3 PLACES ±                                                 |                        | APPR: KNAGANNA 2018/08/23                 | 1110751000               |                 |                |
| 2 PLACES ± 0.13                                            |                        | INITIAL REVISION:                         | DOC TYPE                 | DOC PART        | REVISION       |
| 1 PLACE ± 0.25                                             |                        | DRWN: GSARVADE 2018/03/20                 | PSD                      | 000             | J              |
| 0 PLACES ±                                                 |                        | APPR: ARAYBURN 2018/03/23                 | SHEET NUMBER             |                 |                |
| DRAFT WHERE APPLICABLE<br>MUST REMAIN<br>WITHIN DIMENSIONS | THIRD ANGLE PROJECTION | DRAWING                                   | SERIES                   | MATERIAL NUMBER | CUSTOMER       |
|                                                            |                        | <b>D-SIZE</b>                             | 111075                   | SEE PN TABLE    | GENERAL MARKET |



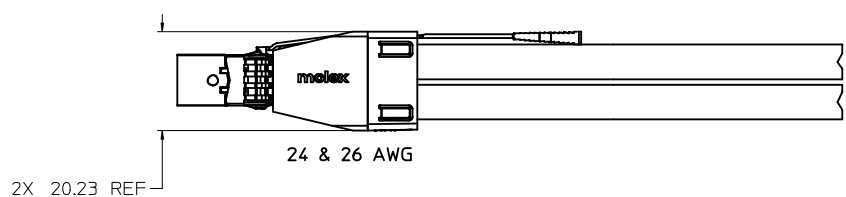
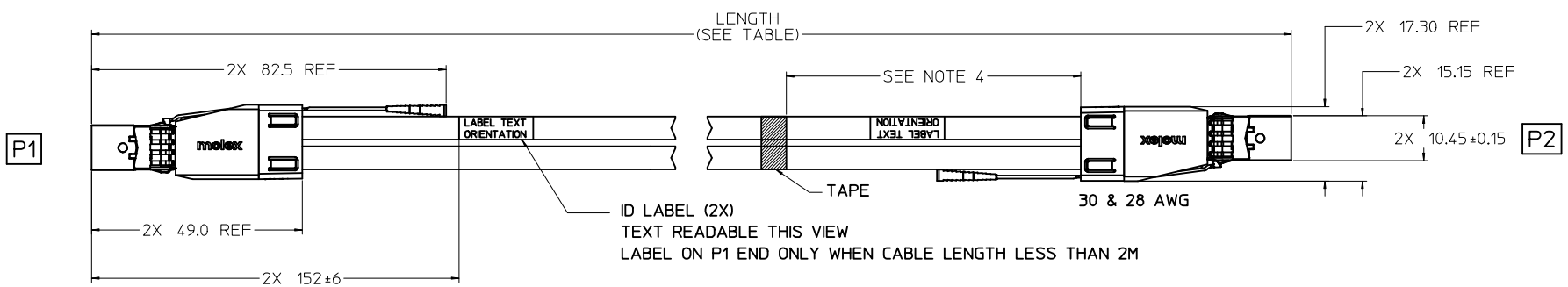
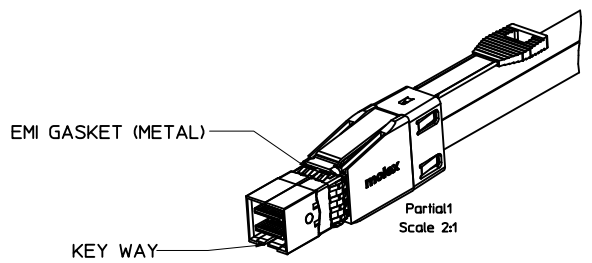
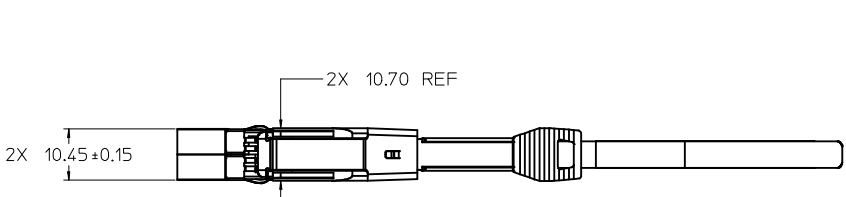
P/N: SEE TABLE  
 S/N: Y = YEAR, THE LAST DIGIT OF YEAR  
       DDD = DAY OF THE YEAR  
       L = LOCATION  
       1 - USA  
       2 - MEXICO  
       3 - CHINA

SSSS = SERIAL NUMBER  
 X.XXM: CABLE LENGTH, SEE TABLE  
 XXAWG: WIRE GAGE, SEE TABLE

(DATE CODE ISO-8601 FORMAT)

THIS DRAWING CONTAINS INFORMATION THAT IS PROPRIETARY TO MOLEX ELECTRONIC TECHNOLOGIES, LLC AND SHOULD NOT BE USED WITHOUT WRITTEN PERMISSION

|                                                            |                            |                                                |                          |                               |          |
|------------------------------------------------------------|----------------------------|------------------------------------------------|--------------------------|-------------------------------|----------|
| DIMENSION UNITS<br><b>mm</b>                               | SCALE<br><b>1:1</b>        | CURRENT REV DESC: ADDED 1.2M LENGTH<br>PN      | <b>molex</b>             |                               |          |
| GENERAL TOLERANCES<br>(UNLESS SPECIFIED)                   |                            |                                                |                          |                               |          |
| ANGULAR TOL ± °                                            |                            | EC NO: 603033                                  | PRODUCT CUSTOMER DRAWING |                               |          |
| 4 PLACES ±                                                 |                            | DRWN: KNAGANNA 2018/07/13                      | DOCUMENT NUMBER          | DOC TYPE                      | DOC PART |
| 3 PLACES ±                                                 |                            | CHK'D: NSRIVATSAHS 2018/08/17                  | <b>1110751000</b>        | PSD                           | 000      |
| 2 PLACES ± 0.13                                            |                            | APPR: KNAGANNA 2018/08/23                      |                          |                               |          |
| 1 PLACE ± 0.25                                             |                            | INITIAL REVISION:<br>DRWN: GSARVADE 2018/03/20 | MATERIAL NUMBER          |                               |          |
| 0 PLACES ±                                                 |                            | APPR: ARAYBURN 2018/03/23                      | CUSTOMER                 |                               |          |
| DRAFT WHERE APPLICABLE<br>MUST REMAIN<br>WITHIN DIMENSIONS | THIRD ANGLE PROJECTION<br> | DRAWING<br><b>D-SIZE</b>                       | SERIES<br><b>111075</b>  | SHEET NUMBER<br><b>3 OF 3</b> |          |



| MOLEX P/N  | LENGTH (M) | LENGTH TOLERANCE (mm) | AWG |
|------------|------------|-----------------------|-----|
| 1110751000 | 0.5        | ±25                   | 30  |
| 1110751001 | 1.0        | ±50                   | 30  |
| 1110751160 | 1.45       | ±50                   | 30  |
| 1110753112 | 1.5        | ±50                   | 30  |
| 1110751002 | 2.0        | ±50                   | 30  |
| 1110751025 | 2.5        | ±50                   | 28  |
| 1110751003 | 3.0        | ±100                  | 28  |
| 1110751026 | 3.5        | ±100                  | 28  |
| 1110751004 | 4.0        | ±100                  | 26  |
| 1110751005 | 5.0        | ±100                  | 26  |
| 1110751027 | 5.5        | ±100                  | 26  |
| 1110751006 | 6.0        | ±100                  | 26  |
| 1110751007 | 7.0        | ±150                  | 24  |
| 1110751008 | 8.0        | ±150                  | 24  |

- NOTES:
- MATERIAL =  
 BACKSHELLS - NICKEL PLATED ZINC DIECAST.  
 LATCH - STAINLESS STEEL.  
 PULL - HALOGEN FREE THERMOPLASTIC ELASTOMER (TPE)
  - THIS PRODUCT CONFORMS TO THE MECHANICAL DIMENSIONING OF SFF-8644 AND ELECTRICAL PERFORMANCE REQUIREMENTS OF SAS 3.0
  - RoHS COMPLIANT. NO EXEMPTIONS.
  - TAPE CABLE BUNDLES EVERY 1/2 METER (APPROXIMATELY)
  - PROTECTIVE DUST CAP TO BE INSTALLED ONTO EACH PLUG (NOT SHOWN).

|                                                                                                                                 |                                                                       |                                                                                                          |                     |       |              |                                                                                                                      |                                                                         |
|---------------------------------------------------------------------------------------------------------------------------------|-----------------------------------------------------------------------|----------------------------------------------------------------------------------------------------------|---------------------|-------|--------------|----------------------------------------------------------------------------------------------------------------------|-------------------------------------------------------------------------|
| ADDED 1110751027<br>EIC NO: CPG2016-3207<br>G DRAWN: KUMARR 2016/03/01<br>CHKD:<br>APPR: ARABURIN 2016/03/01<br>REV DESCRIPTION | QUALITY SYMBOLS                                                       | GENERAL TOLERANCES (UNLESS SPECIFIED)                                                                    | DIMENSION STYLE     | SCALE | DESIGN UNITS | THIRD ANGLE PROJECTION                                                                                               |                                                                         |
|                                                                                                                                 | ∇=0<br>∇=0<br>∇=0                                                     | mm INCH<br>4 PLACES ± --- ± ---<br>3 PLACES ± 0.13 ± ---<br>2 PLACES ± 0.25 ± ---<br>0 PLACE ± --- ± --- | MM ONLY             | 2:1   | METRIC       | DRAWN BY DATE<br>RKLIN 2012/09/11<br>CHECKED BY DATE<br>SHOSSAIN 2013/04/09<br>APPROVED BY DATE<br>RMKHAN 2013/07/03 | TITLE<br>MINISAS 4X HD TO<br>MINISAS 4X HD 12GB<br>EXT PASSIVE CBL ASSY |
|                                                                                                                                 | ANGULAR ± ---<br>DRAFT WHERE APPLICABLE MUST REMAIN WITHIN DIMENSIONS | SEE P/N TABLE<br>MATERIAL NO. SD-111075-1000<br>DOCUMENT NO. SD-111075-1000                              | SHEET NO.<br>1 OF 3 |       |              |                                                                                                                      |                                                                         |



