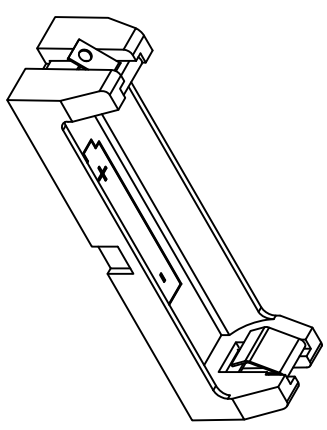
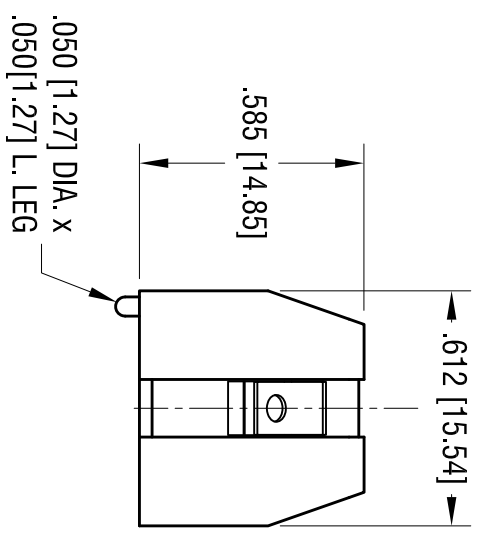
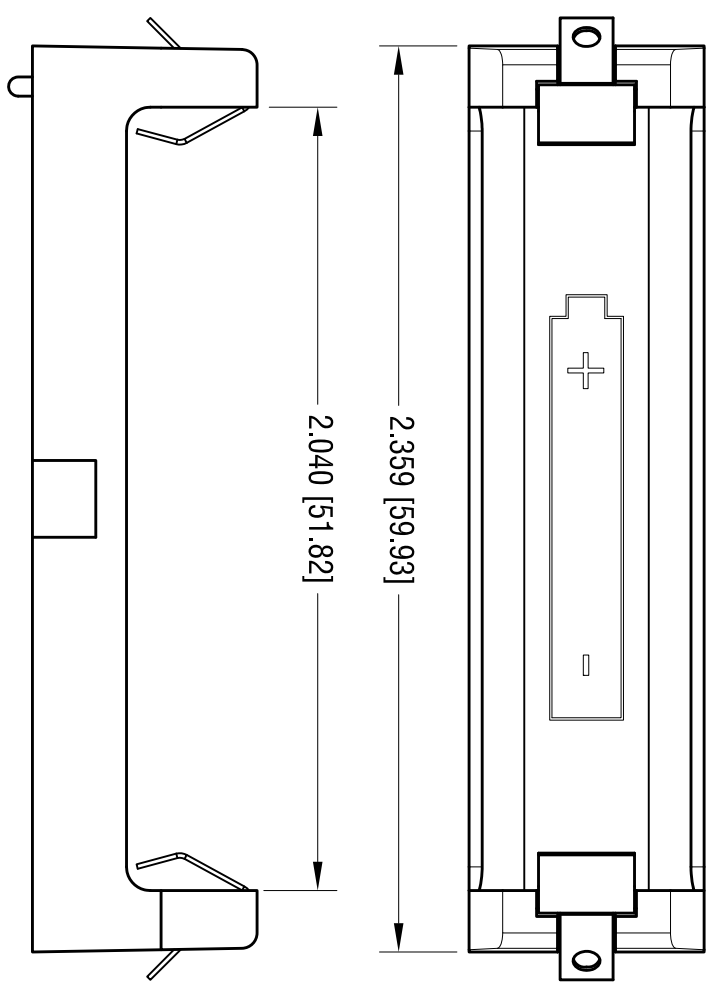


DATE	DESCRIPTION	REV.
4.06.23	CHANGE AS PER ECN 23-049 BASE MAT'L WAS NYLON( BLACK)	A



**ACTUAL SIZE**

- NOTE:  
 1. BASE:  
 MAT'L: PBT (GREY COLOR)  
 2. CONTACT:  
 MAT'L: .012 [0.30] THK STAINLESS STEEL  
 FINISH: TIN NICKEL PLATE

THIS DOCUMENT IS THE PROPERTY OF  
 KEYSTONE ELECTRONICS CORP. AND  
 SHALL NOT BE REPRODUCED, DISTRIBUTED  
 OR USED AS A BASIS FOR MANUFACTURE  
 WITHOUT PRIOR WRITTEN PERMISSION  
 FROM KEYSTONE ELECTRONICS CORP.

<b>KEYSTONE ELECTRONICS CORP.</b>			
www.keyelco.com • NEW HYDE PARK, NY 11040 • Tel (516) 328-7500			
PART NAME SOLDER LUG BATTERY HOLDER, AA			
MATERIAL AS NOTED			
FINISH	AS NOTED		
TOLERANCES	INCH	[MM]	CODE
DECIMAL	± .010	[± 0.25 ]	C
ANGULAR	± 1°		
UNLESS OTHERWISE SPECIFIED			
DRN BY	NT	DATE	7.11.16
APP'D	RH	SCALE	2X
DWG NO.		1115	