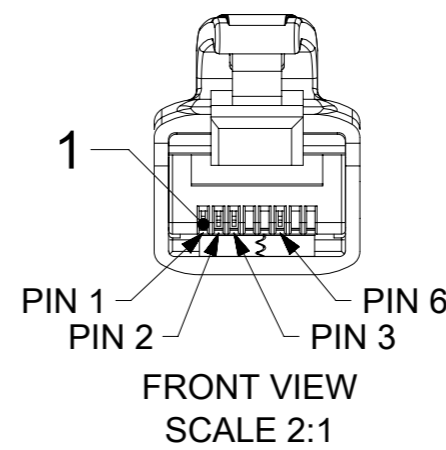
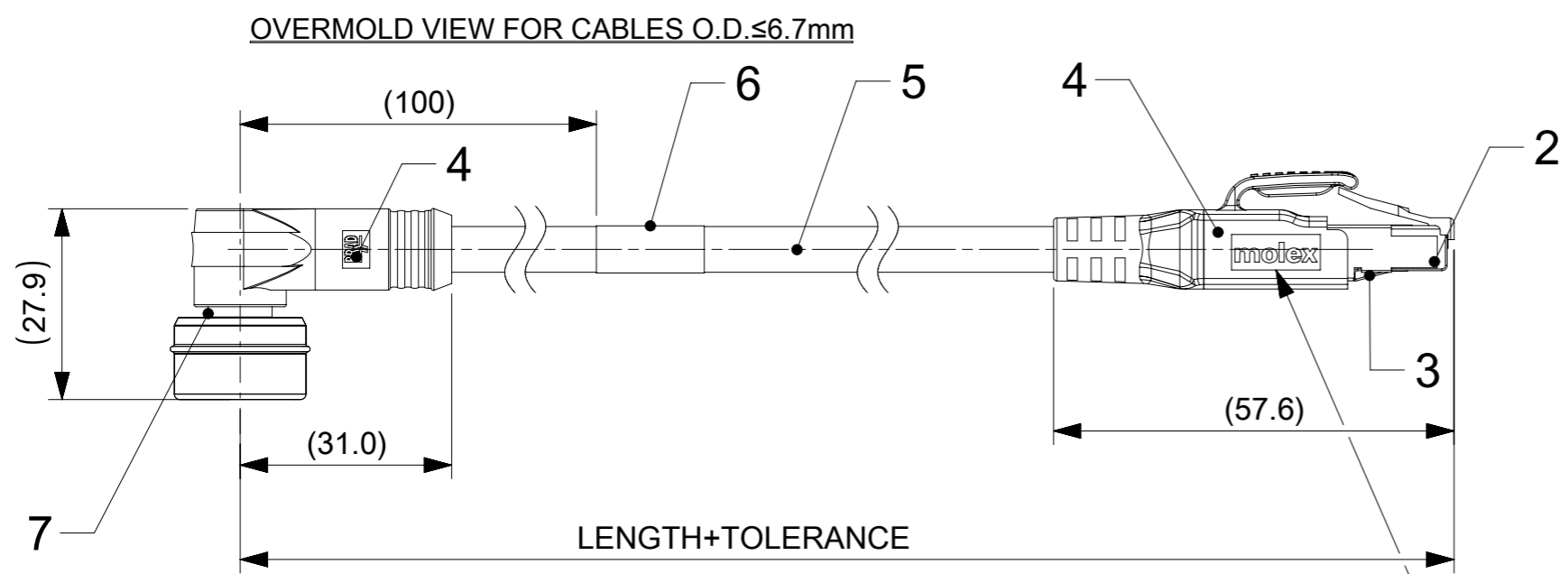
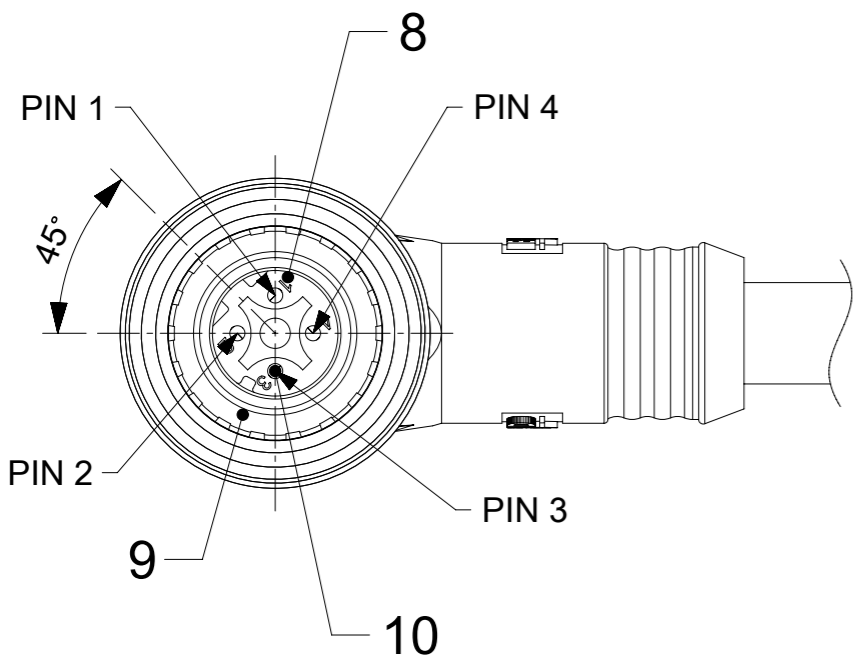
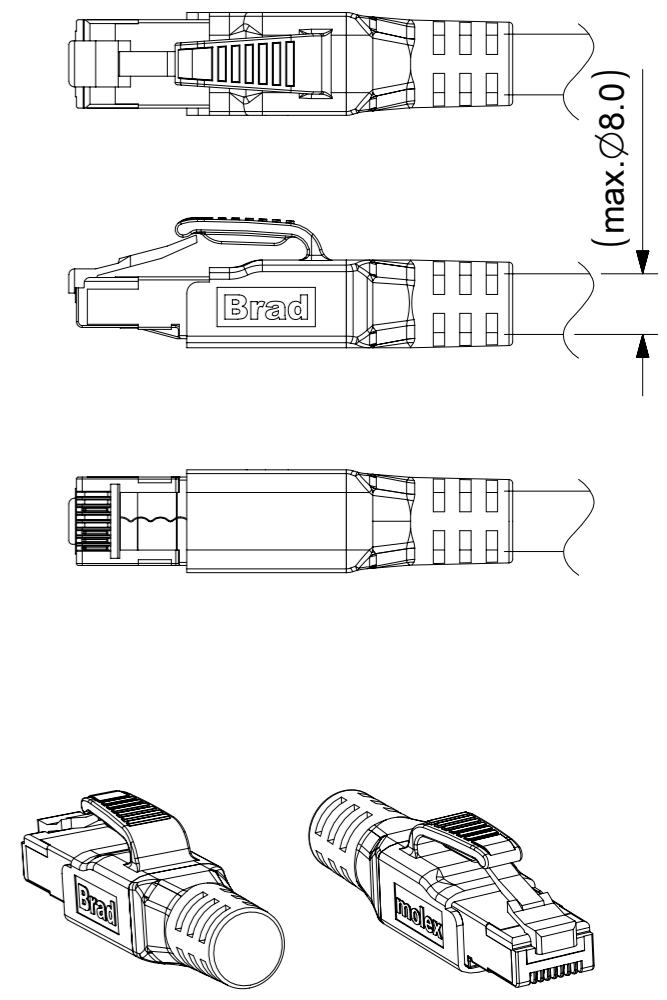


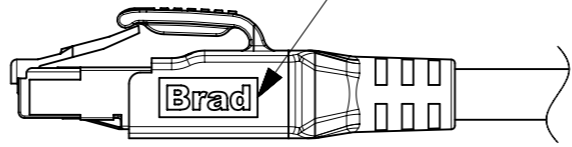
# MALE PLUG U12 ANGLED 90° TO PLUG RJ45 STRAIGHT



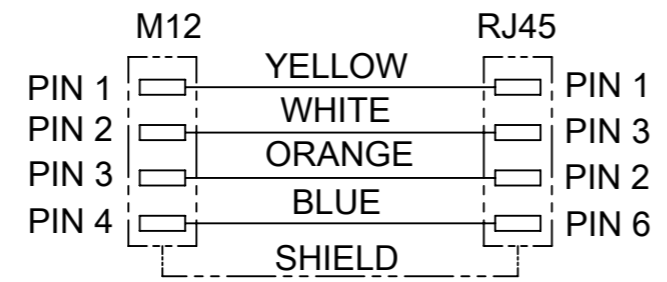
## OVERMOLD VIEW FOR CABLES O.D. ≥ 6.7mm



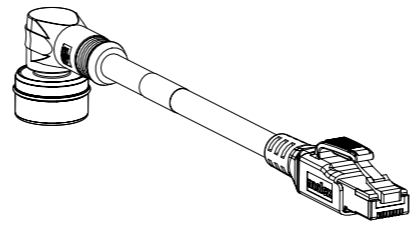
BLACK OVERMOULD  
MOLEX LOGO ON ONE SIDE  
BRAD LOGO ON OTHER SIDE



### WIRING DIAGRAM



- NOTES:**
1. MATERIALS : SEE BOM TABLE
  2. FINISHES: SEE BOM TABLE
  3. ELECTRICAL DATA:  
MAX. VOLTAGE RATING 60 VDC  
MAX. CURRENT PER CONTACT 1.5 A
  4. ENVIRONMENTAL:  
INDEX OF PROTECTION RJ45: IP20  
INDEX OF PROTECTION M12: IP67  
OPERATING TEMP : -25°C to +85°C



SCALE 1:2

ITEM	QTY.	DESCRIPTION	MATERIAL	FINISH
10	4	CONTACTS	BRASS	SELECTIVE GOLD
9	1	ORING GREEN	FPM	---
8	1	INSERT 4P MALE BLACK	TPU	---
7	1	SLEEVE	BRASS	NICKEL
6	1	LABEL	VINYL	---
5	-	CABLE	SEE SHEET 2	---
4	-	OVERMOULDING BLACK	TPU	---
3	1	SHIELD	BRASS	TIN
2	1	PLUG RJ45 TRANSPARENT	POLYCARBONATE	---
1	4	CONTACT RJ45 MALE	PHOSPHOR BRONZE	SELECTIVE GOLD

FUNCTIONAL SYMBOLS		THIS DRAWING CONTAINS INFORMATION THAT IS PROPRIETARY TO MOLEX ELECTRONIC TECHNOLOGIES, LLC AND SHOULD NOT BE USED WITHOUT WRITTEN PERMISSION		CURRENT REV DESC:		
▽/A = 0	mm	SCALE	1:1			
▽/E = 0	GENERAL TOLERANCES (UNLESS SPECIFIED)		CSE U12 RJ45 4P DC MA RA PUR MA STR XM			
▽/V = 0	ANGULAR TOL ± °		PRODUCT CUSTOMER DRAWING			
DIVISIONAL SYMBOLS		EC NO: 695694				DOCUMENT NUMBER
3 PLACES ±		DRWN: SSM		DOC TYPE		
2 PLACES ±		CHK'D: RSILLER		DOC PART		
1 PLACE ±		APPR: RSILLER		REVISION		
0 PLACES ±		INITIAL REVISION:		1201088224		
DRAFT WHERE APPLICABLE MUST REMAIN WITHIN DIMENSIONS		DRWN: JMARSZALEK		PSD		
THIRD ANGLE PROJECTION		APPR: RSILLER		000		
DRAWING		SERIES		A1		
A3-SIZE		MATERIAL NUMBER		SHEET NUMBER		
120108		CUSTOMER		1 OF 2		
SEE PART LIST		GENERAL MARKET				

**NUMERICAL CODE** (Available parts see PART LIST table. Other parts available upon request).

**OPTIONS**

**E W 6 A 0 6 1 X X M X X X X**

E=Ethernet  
 Heads:  
 W=Ultra-Lock U12  
 4P D-Code  
 6=RJ45  
 Wiring type  
 Heads style:  
 061=MA U12 RA 90°  
 / RJ45 Plug STR  
 Cable type:  
 See cable table  
 Units:  
 M=Meter  
 T=10x meter  
 Length  
 Examples:  
 005=0.5 units  
 010=1 units  
 150=15 units  
 H= 2 pcs. of  
 I/D Carrier

**CABLE INFORMATION** (for more information see Cable Data Sheet).

CABLE TYPE	CABLE O.D.	APPLICATION	CROSS SECTION	CABLE JACKET	UL	TEMP. RANGE STATIC BENDING RADIUS STATIC	TEMP. RANGE DYNAMIC BENDING RADIUS DYNAMIC	CYCLES	ADDITIONAL INFORMATION
11	6.8mm	PROFINET TYPE C	22AWG	PUR GREEN	STYLE 20549	-40°C to +80°C / min.5xO.D.	-20°C to +70°C / min.7.5xO.D.	up to 5 Mio	-
12	6.7mm	PROFINET TYPE C	22AWG	TPU BASED GREEN	STYLE 21215	-40°C to +80°C / min.5xO.D.	-25°C to +80°C / min.15xO.D.	about 2M, min.15xO.D., -5°C to +60°C	WSOR
16	6.5mm	-	24AWG	TPU BASED TEAL	STYLE 21215	-40°C to +80°C / min.6xO.D.	-20°C to +50°C	1M, min.10xO.D. / 2M min.20xO.D. @20°C	WSOR
17	8.0mm	PROFINET TYPE B & C	22AWG	TPE GREEN	STYLE 2463	-40°C to +75°C		1M min.10xO.D. / 10M min.20xO.D. @20°C	WSOR

**PART LIST**

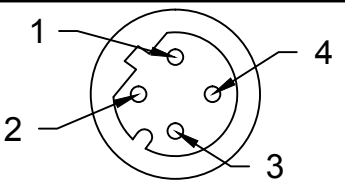
No.	MOLEX P/N	ENGINEERING NO.	CABLE LENGTH
1	1201088224	EW6A06111M020	2m
2	1201088225	EW6A06111M060	6m
3	1201088226	EW6A06111M100	10m
4	1201088227	EW6A06111M150	15m
5	1201088228	EW6A06111M200	20m
6	1201088229	EW6A06111M300	30m
7	1201088230	EW6A06111M400	40m
8	1201088231	EW6A06111M500	50m
9	1201088232	EW6A06111M900	90m
10	1201088233	EW6A06111T100	100m
11	1201088383	EW6A06111M012	1.2m
12			
13			
14			
15			
16			
17			
18			
19			
20			
21			
22			
23			
24			
25			

**CABLE LENGTH TOLERANCES**

LENGTH	TOLERANCE
0 m-1 m	+40 mm
>1 m-5 m	+60 mm
>5 m-10 m	+80 mm
>10 m-20 m	+140 mm
>20 m-30 m	+160 mm
>30 m	+1% length

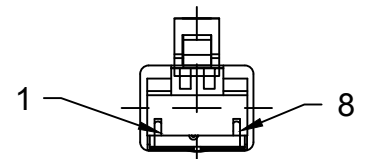
FUNCTIONAL SYMBOLS	THIS DRAWING CONTAINS INFORMATION THAT IS PROPRIETARY TO MOLEX ELECTRONIC TECHNOLOGIES, LLC AND SHOULD NOT BE USED WITHOUT WRITTEN PERMISSION		CURRENT REV DESC:	
$\nabla_A = 0$	DIMENSION UNITS	SCALE	EC NO: 695694	
$\nabla_B = 0$	mm	1:1	DRWN: SSM 2021/10/20	
$\nabla_C = 0$	GENERAL TOLERANCES (UNLESS SPECIFIED)		CHK'D: RSILLER 2022/02/15	
DIVISIONAL SYMBOLS	ANGULAR TOL	± °	APPR: RSILLER 2022/02/15	
	4 PLACES	±	INITIAL REVISION:	
	3 PLACES	±	DRWN: JMARSZALEK 2016/03/08	
	2 PLACES	±	APPR: RSILLER 2021/09/20	
	1 PLACE	±	DOCUMENT NUMBER	
	0 PLACES	±	1201088224	
	DRAFT WHERE APPLICABLE MUST REMAIN WITHIN DIMENSIONS		DOC TYPE	DOC PART
	THIRD ANGLE PROJECTION		PSD	000
	DRAWING		REVISION	A1
	SERIES		SHEET NUMBER	
	A3-SIZE		2 OF 2	
	MATERIAL NUMBER		CUSTOMER	
	SEE PART LIST		GENERAL MARKET	

FRONT VIEW - MALE M12

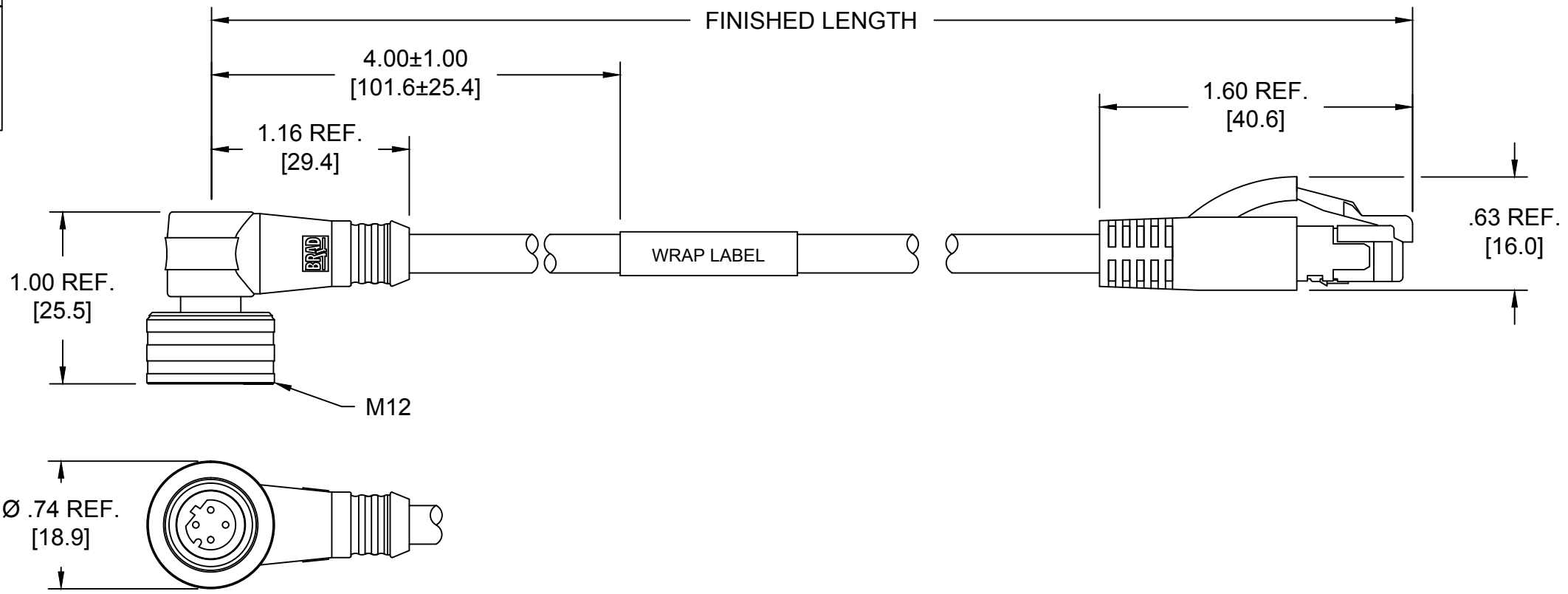


1-YELLOW  
2-WHITE  
3-ORANGE  
4-BLUE

FRONT VIEW - MALE RJ45



1-YELLOW  
2-ORANGE  
3-WHITE  
6-BLUE



NOTES:

MECHANICAL

**RJ45**  
PLUG: CLEAR POLYCARBONATE  
BOOT: BLACK PVC

**M12 CONNECTOR**  
INSERT: BLACK PUR  
CONTACT: GOLD/NICKEL OVER COPPER ALLOY  
COUPLING NUT: NICKEL PLATED BRASS  
MOLDED BODY: BLACK PUR

**CABLE:** 22 AWG 4 CONDUCTORS SHIELDED GREEN PUR JACKET  
AGENCY LISTED: UL AND CSA  
CABLE MARKING: X N X 2x2xAWG22/7-9H(ST) C11Y INDUSTRIAL ETHERNET  
PROFINET TYP C E48408 cULus AWM STYLE 20236 AWM I/II A/B  
80°C 30 V FT1

**WRAP LABEL:** MARKED WITH P/N, DATE CODE, VOLTAGE & AMPERAGE

ELECTRICAL

ACCORDING TO CAT5e  
VOLTAGE RATING: 30V AC/DC  
AMPERAGE: 1.5A

ADDED PART NO. TABLE EC NO: IPG2015-2010 DRWN: GGUSTAFS 2015/05/27 CHKD: BARDEN 2015/07/23 APPR: BWOODMAN 2014/08/02	DESCRIPTION REV	QUALITY SYMBOLS ▽=0 ◻=0	GENERAL TOLERANCES (UNLESS SPECIFIED)		DIMENSION STYLE IN/MM		SCALE NTS	DESIGN UNITS INCH	THIRD ANGLE PROJECTION		
			mm	INCH	DRAWN BY	DATE	TITLE <b>MICRO-CHANGE/RJ45 4P M ULOCK 90D TO RJ45 2X2X22AWG GREEN PUR</b>				
		4 PLACES	±---	±---	BARDEN	2013/12/04					
		3 PLACES	±---	±.005	CHECKED BY	DATE	MOLEX INCORPORATED DOCUMENT NO. SD-120108-070 SHEET NO. 1 OF 2				
2 PLACES	±0.13	±.010	TWOLDEGE	2014/04/09							
1 PLACE	±0.25	±.020	APPROVED BY	DATE	THIS DRAWING CONTAINS INFORMATION THAT IS PROPRIETARY TO MOLEX INCORPORATED AND SHOULD NOT BE USED WITHOUT WRITTEN PERMISSION						
ANGULAR ±1/2°			JFMURPHY	2014/08/02							
DRAFT WHERE APPLICABLE MUST REMAIN WITHIN DIMENSIONS			MATERIAL NO.		SEE TABLE						

F

E

D

C

B

A

F

E

D

C

B

A

10

9

8

7

6

5

4

3

2

1

MATERAIL NO.	ENGINEERING NO.
1201088383	EW6A06111M012
1201088224	EW6A06111M020
1201088225	EW6A06111M060
1201088226	EW6A06111M100
1201088227	EW6A06111M150
1201080228	EW6A06111M200
1201088229	EW6A06111M300
1201088230	EW6A06111M400
1201088231	EW6A06111M500
1201088232	EW6A06111M900
1201088233	EW6A06111T100

**EW6A06111M020**

CABLE TYPE  
22/4AWG  
PUR GREEN

CABLE LENGTH  
010----1 Meter  
100----10 Meters

ADDED PART NO. TABLE EC NO: IPG2015-2010 DRWN: GGUSTAFS 2015/05/27 CHKD: BARDEN 2015/07/23 APPR: BWOODMAN 2014/08/02	DESCRIPTION REV	QUALITY SYMBOLS	GENERAL TOLERANCES (UNLESS SPECIFIED)		DIMENSION STYLE		SCALE	DESIGN UNITS	THIRD ANGLE PROJECTION		
		 	mm	INCH	IN/MM		NTS	INCH			
			4 PLACES	±---	±---	DRAWN BY	DATE	TITLE			
			3 PLACES	±---	±.005	BARDEN	2013/12/04	<b>MOLEX INCORPORATED</b> MICRO-CHANGE/RJ45 4P M ULOCK 90D TO RJ45 2X2X22AWG GREEN PUR			
2 PLACES	±0.13	±.010	CHECKED BY	DATE	DOCUMENT NO.	SHEET NO.					
1 PLACE	±0.25	±.020	TWOLDEGE	2014/04/09	SD-120108-070	2 OF 2					
ANGULAR ±1/2°			DRAFT WHERE APPLICABLE MUST REMAIN WITHIN DIMENSIONS		APPROVED BY		MATERIAL NO.		THIS DRAWING CONTAINS INFORMATION THAT IS PROPRIETARY TO MOLEX INCORPORATED AND SHOULD NOT BE USED WITHOUT WRITTEN PERMISSION		
					JFMURPHY		2014/08/02		SEE TABLE		