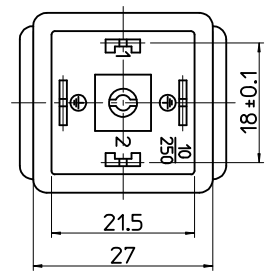
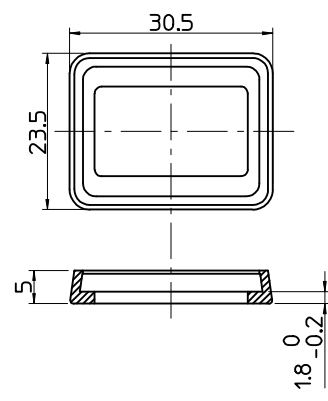
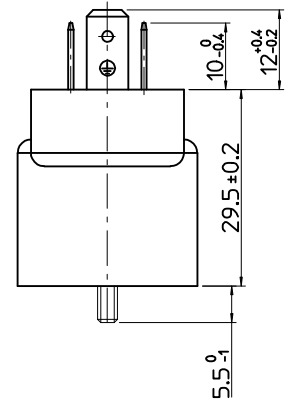
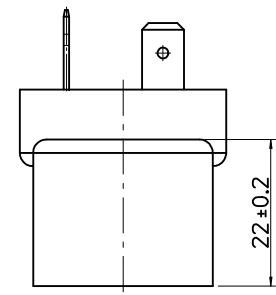
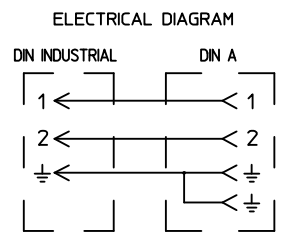
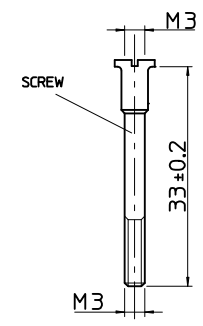
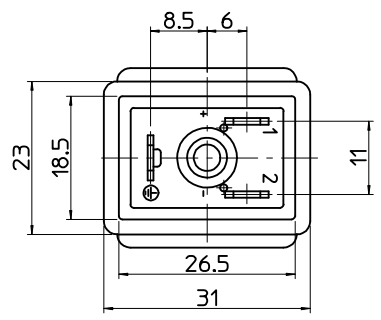


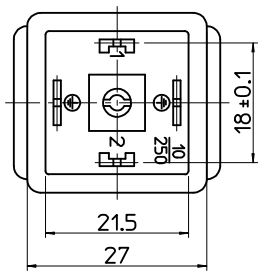
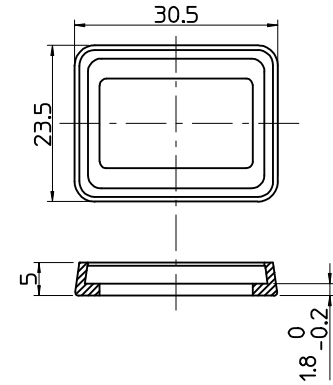
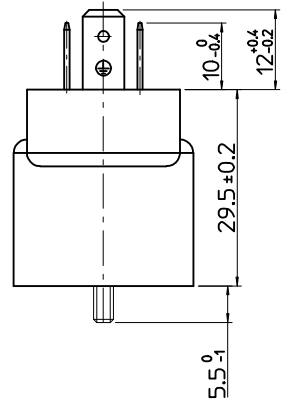
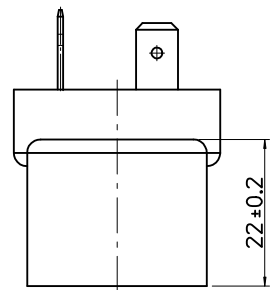
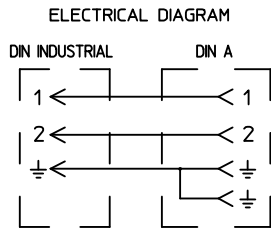
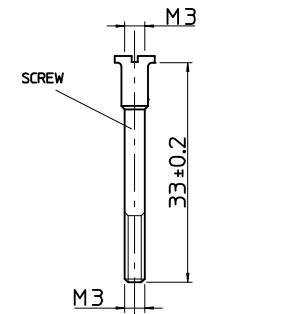
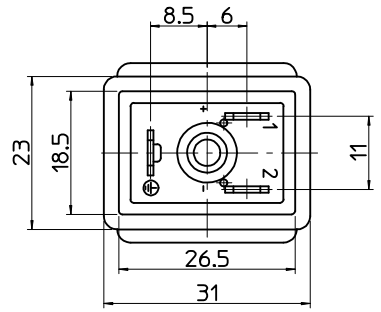
10 9 8 7 6 5 4 3 2 1



<b>ORIGINAL RELEASE</b> EC NO: IPG2016-0838 DRWN:APAWLAK01 2015/11/27 CHKD:KKALICIAK 2015/11/30 APPR:MIWASIECZKO 2015/12/07	QUALITY SYMBOLS ▽=0 ◻=0	GENERAL TOLERANCES (UNLESS SPECIFIED)		DIMENSION STYLE <b>MM ONLY</b>		SCALE -	DESIGN UNITS METRIC	THIRD ANGLE PROJECTION		
			mm	INCH	DRAWN BY	DATE	TITLE			
		4 PLACES	± ---	± ---	APAWLAK01	2015/11/27	ADT FORMA A/FEMM. B/MAS.			
		3 PLACES	± ---	± ---	CHECKED BY	DATE				
					APPROVED BY      DATE					
					MIWASIECZKO 2015/12/07					
				MATERIAL NO. <b>1210010446</b>		DOCUMENT NO. <b>SD-121001-013</b>		SHEET NO. 1 OF 1		
		DRAFT WHERE APPLICABLE MUST REMAIN WITHIN DIMENSIONS		THIS DRAWING CONTAINS INFORMATION THAT IS PROPRIETARY TO MOLEX INCORPORATED AND SHOULD NOT BE USED WITHOUT WRITTEN PERMISSION						

9 8 7 6 5 4 3 2 1

10 9 8 7 6 5 4 3 2 1



<b>ORIGINAL RELEASE</b> EC NO: IPG2016-0838 DRWN:APAWLAK01 2015/11/27 CHKD:KKALICIAK 2015/11/30 APPR:MIWASIECZKO 2015/12/07	QUALITY SYMBOLS 	GENERAL TOLERANCES (UNLESS SPECIFIED)		DIMENSION STYLE <b>MM ONLY</b>		SCALE -	DESIGN UNITS METRIC	THIRD ANGLE PROJECTION		
				DRAWN BY APAWLAK01	DATE 2015/11/27	TITLE ADT FORMA A/FEMM. B/MAS.				
				CHECKED BY KKALICIAK	DATE 2015/11/30	MATERIAL NO. <b>1210010446</b>				
				APPROVED BY MIWASIECZKO	DATE 2015/12/07	DOCUMENT NO. SD-121001-013		SHEET NO. 1 OF 1		
A	REV	DRAFT WHERE APPLICABLE MUST REMAIN WITHIN DIMENSIONS		SIZE <b>A3</b>	THIS DRAWING CONTAINS INFORMATION THAT IS PROPRIETARY TO MOLEX INCORPORATED AND SHOULD NOT BE USED WITHOUT WRITTEN PERMISSION					

9 8 7 6 5 4 3 2 1