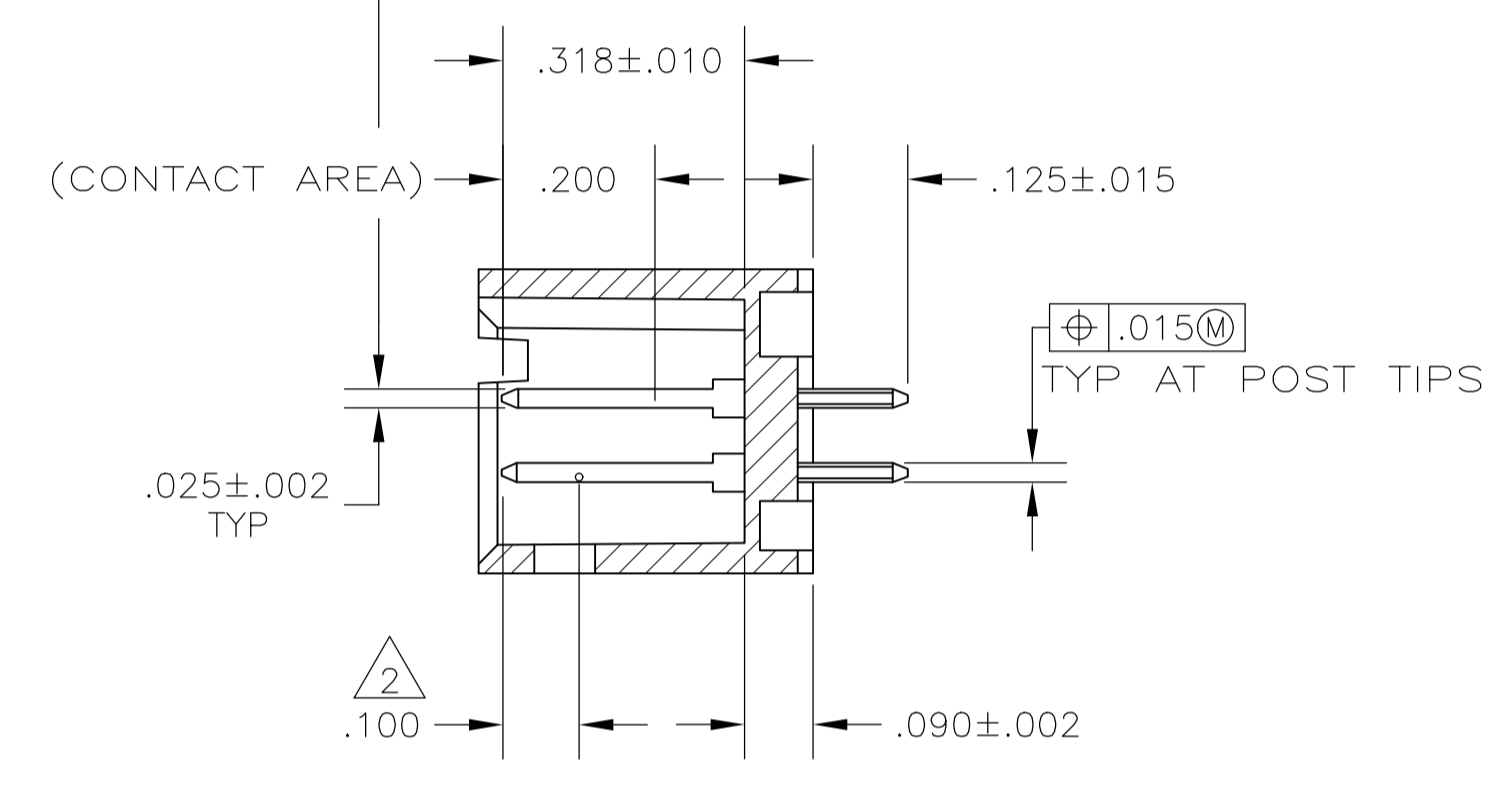
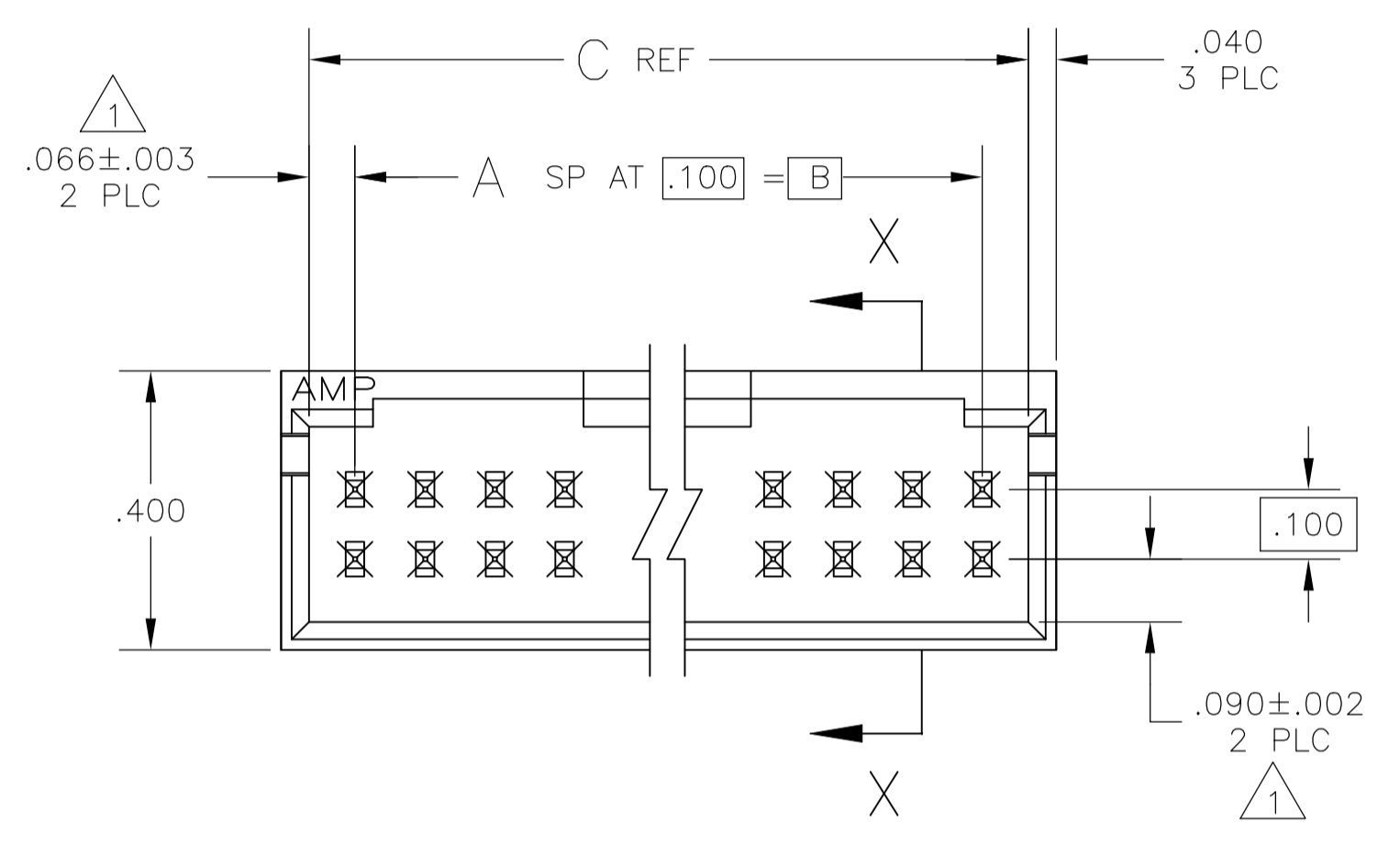
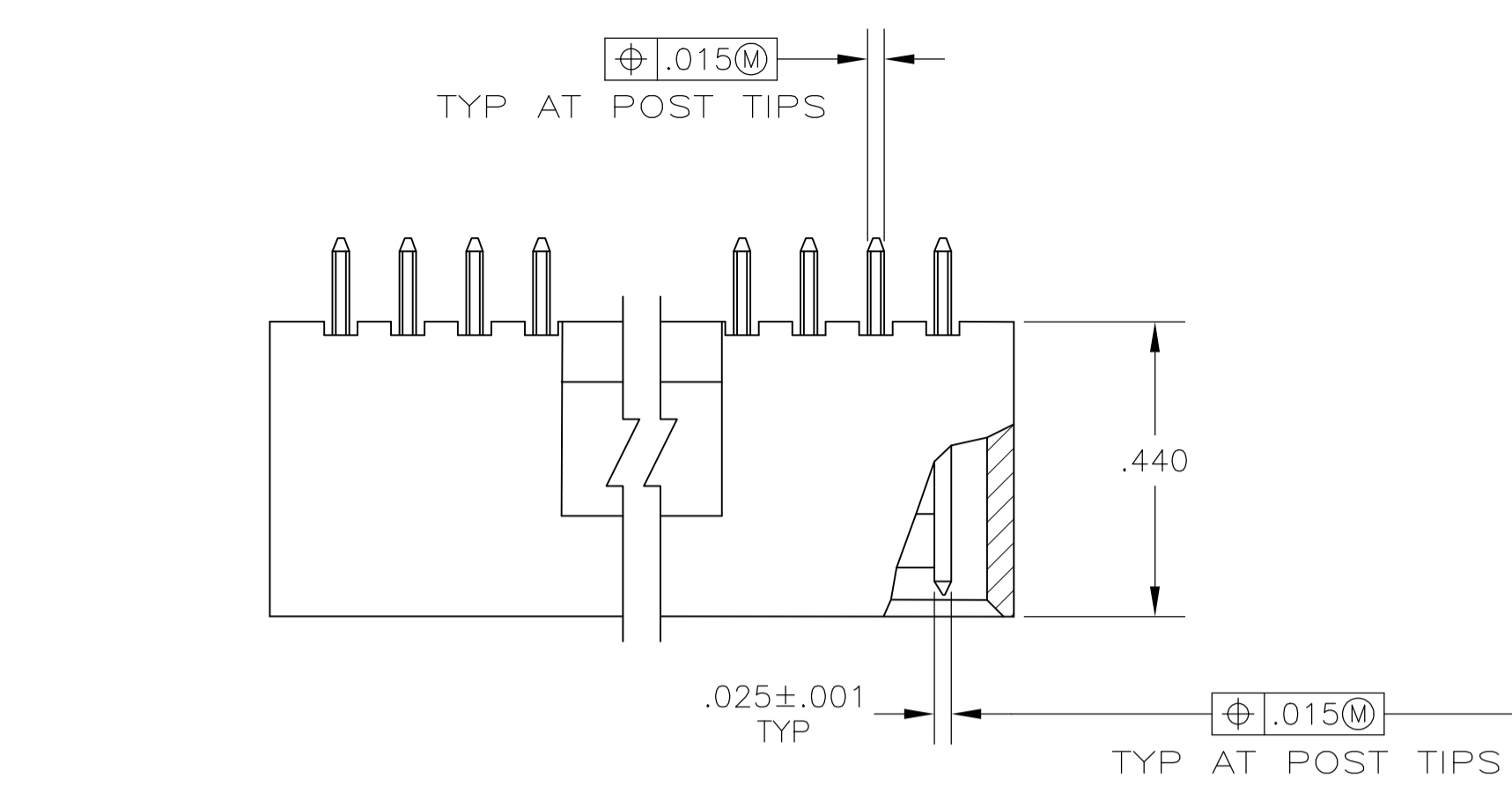
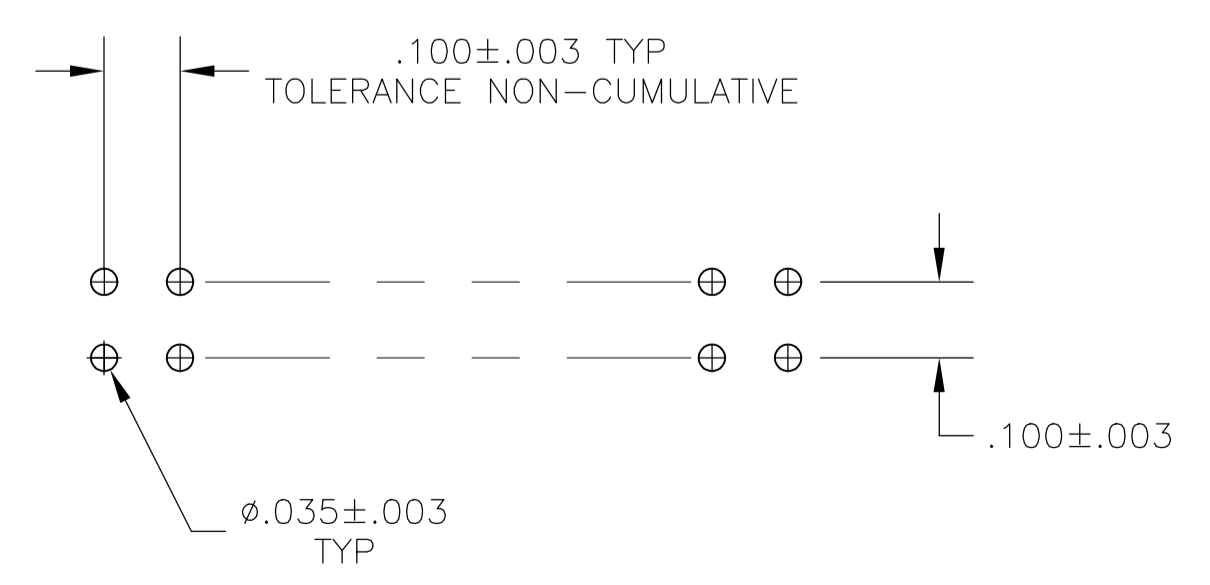
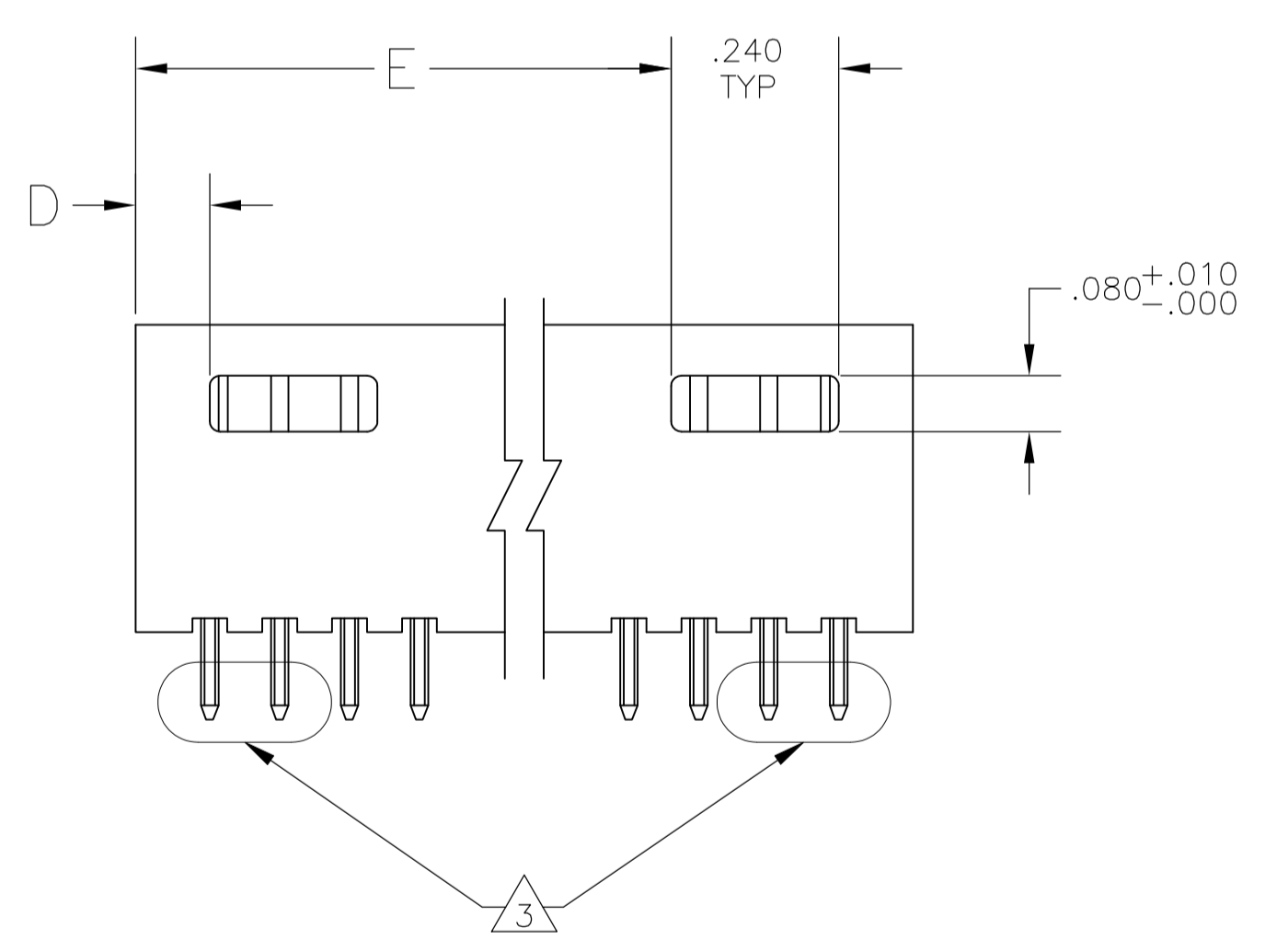


REVISIONS				
P	LTR	DESCRIPTION	DATE	APP'D
B1		PART STATUS UPATED IN PART LIST TABLE	15FEB2018	SD PS



SECTION X-X



RECOMMENDED HOLE LAYOUT

- ① THE NOTED DIMENSIONS APPLY AT THE INTERSECTION OF THE POST AND HOUSING
- ② POINT OF MEASUREMENT FOR PLATING THICKNESS
- ③ RETENTIVE POST FEATURE, BOTH ROWS.
- ④ POSTS: .000030 GOLD IN CONTACT AREA, .000100-.000200 MATTE TIN-LEAD ON SOLDER TAIL, ALL OVER .0000050 NICKEL.
- ⑤ POSTS: .000030 GOLD IN CONTACT AREA, .000100-.000200 MATTE TIN ON SOLDER TAIL, ALL OVER .0000050 NICKEL.
- ⑥ OBSOLETE

⑤	---	.306	.832	.700	7	16	5-147004-1
④	---	.306	.832	.700	7	16	<del>147004-1</del>
PLATING	E	D	C	B	A	NO OF POSN	ASSEMBLY PART NUMBER

THIS DRAWING IS A CONTROLLED DOCUMENT.		DWN E. BRANDBERG 01 OCT 96	TE Connectivity	
DIMENSIONS: INCHES		DWG S. SHUEY 01 OCT 96	NAME	
TOLERANCES UNLESS OTHERWISE SPECIFIED:		APVD S. SHUEY 01 OCT 96	PRODUCT SPEC	
0 PLC ± -		APPLICATION SPEC		
1 PLC ± -		SIZE CAGE CODE DRAWING NO		
2 PLC ± -		RESTRICTED TO		
3 PLC ± .005		A1 00779 C=147004		
4 PLC ± -		SCALE 4:1 SHEET 1 OF 1 REV B1		
ANGLES ± -		MATERIAL HOUSING: FLAME RETARDANT THERMOPLASTIC COLOR-BLACK POSTS: PADS BRONZE		
FINISH SEE TABLE		WEIGHT -		
CUSTOMER DRAWING				