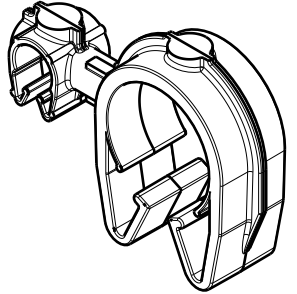
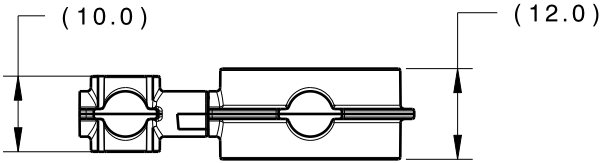
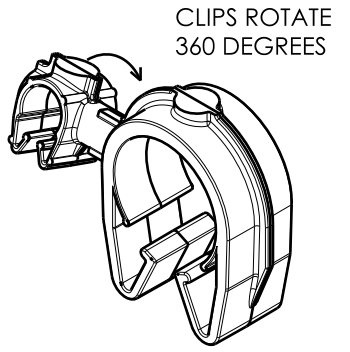
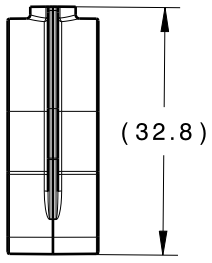
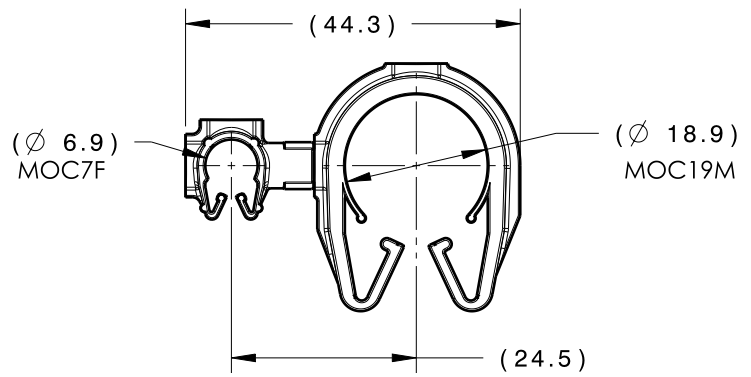


Revision Level			Revision Record	Changed	Date	Approved	Date
Drawing	State	Part					
01.2	DESIGN RELEASE		SEE ECN# 014407	FDS	04/23/18	EJH	04/23/18



ISOMETRIC VIEW

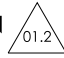


CLIPS ROTATE 360 DEGREES

ISOMETRIC VIEW ROTATED

TYPE	MOC7F	MOC19M
HARNESS	6.5MM-7.5MM	17.0MM-20.0MM
HOSE	6.0MM-7.5MM	17.0MM-20.0MM
HARD PIPE/TUBE	7.0MM-8.0MM	19.0MM-21.8MM

*RECOMMENDED SIZES MAY DIFFER DEPENDING ON THE APPLICATION, PRODUCT REQUIREMENTS AND MATERIALS USED

GLOBAL PART DESCRIPTION 	MOC7F			MOC19M		
	DRAWING	MATERIAL	COLOR	DRAWING	MATERIAL	COLOR
MOC7FMOC19M-PA66HIRHS-BK	16-0315-000-CSU	PA66HIRHS	BLACK	16-0322-000-CSU	PA66HIRHS	BLACK

Material SEE CHART COLOR: SEE CHART	Units millimeters Tolerance defined on each dimension	The copyright of this drawing is reserved by HellermannTyton. It is issued on condition that it is not reproduced, copied or disclosed to a third party, either wholly or in part, without the consent of HellermannTyton.	Drawn	TAT	2/21/17	Article/Type-No	MOC7FMOC19M	Scale	1:1
			Approved	EJH	2/28/17	Title	 7MM MOC COUPLED TO A 19MM MOC	Project Number	16-0326
			HellermannTyton North America Email: corp@htamericas.com Web: www.hellermann.tyton.com			Drawing-No	16-0326-261-CSU 	PRODUCTION : Phase	Format
							Sheet	1/1	