

Housing - HC-D 7-KML-61/O1M20 - 1604883

Please be informed that the data shown in this PDF Document is generated from our Online Catalog. Please find the complete data in the user's documentation. Our General Terms of Use for Downloads are valid (<http://phoenixcontact.com/download>)



HEAVYCON D7 coupling housing, with single locking latch, height: 60.5 mm, with 1 x M20 gland, zinc die-cast

RoHS

Key Commercial Data

Packing unit	10 pc
GTIN	
GTIN	4017918881597

Technical data

Dimensions

Height	60.5 mm
Width	34 mm
Length	26.5 mm

Ambient conditions

Degree of protection of housing (IP)	IP54
	IP65 (with sealing screw)
Ambient temperature (operation)	-40 °C ... 125 °C

General

Note	for contact inserts HC-A03, A04, D07, D08, Q02, Q03, Q04, Q05, Q07, Q12
Size	D7
Housing type	Coupling housings
Locking type	with single locking latch
No. of cable outlets	1
Cable outlet	straight
Screw connection	none
Type of the screw connection	1x M20

Housing - HC-D 7-KML-61/O1M20 - 1604883

Technical data

General

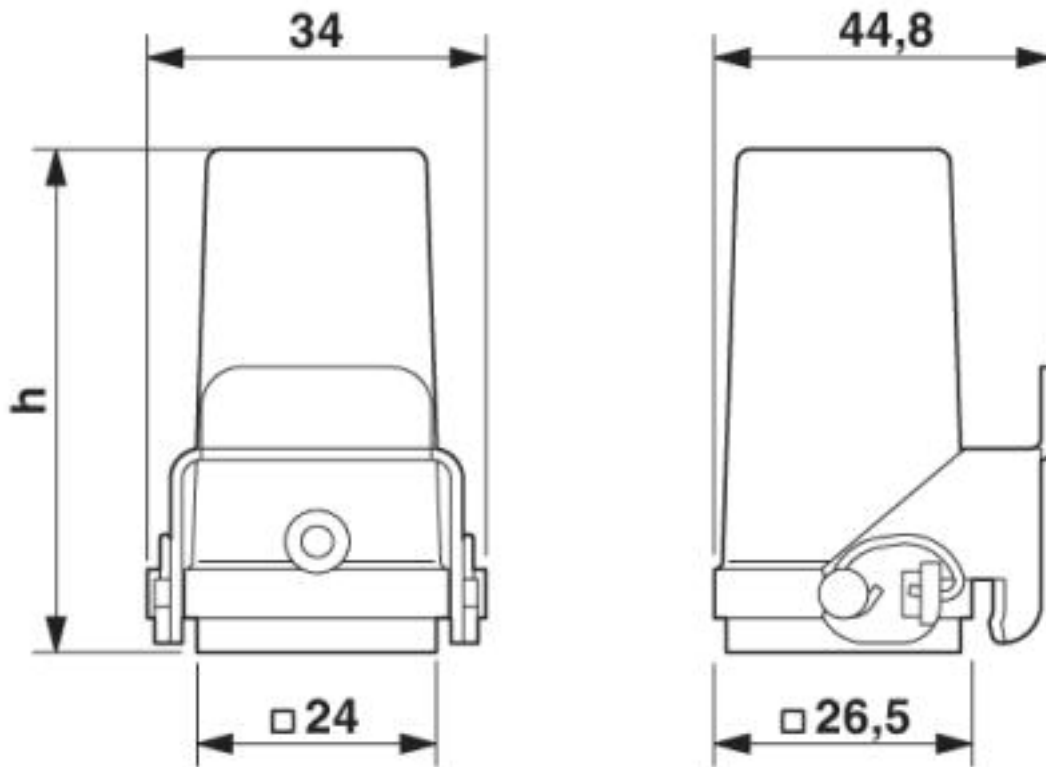
Housing material	Zinc die-cast
Housing surface material	Powder-coated, gray
Material lock	Steel, galvanized

Environmental Product Compliance

China RoHS	Environmentally friendly use period: unlimited = EFUP-e
	No hazardous substances above threshold values

Drawings

Dimensional drawing



Height h = 61 mm

Phoenix Contact 2019 © - all rights reserved
<http://www.phoenixcontact.com>

PHOENIX CONTACT GmbH & Co. KG
Flachmarktstr. 8
32825 Blomberg
Germany
Tel. +49 5235 300
Fax +49 5235 3 41200
<http://www.phoenixcontact.com>