

# Device connector, front mounting - ST-8EP1N8AA400S - 1620437

Please be informed that the data shown in this PDF Document is generated from our Online Catalog. Please find the complete data in the user's documentation. Our General Terms of Use for Downloads are valid (<http://phoenixcontact.com/download>)



Device connector, front mounting, angled rotatable, for standard and SPEEDCON interlock, M17, number of positions: 5+3+PE, type of contact: Pin, Crimp connection, Axial O-ring, 4x Ø2,7, shielded: yes, flange dimensions: 25.75 mm x 25.75 mm

The figure shows the 8-pos. version with sockets

## Your advantages

- Easy connection, thanks to infinitely adjustable cable outlet direction up to 310°
- Consistent EMC protection for reliable connection solutions in the industrial environment
- Crimping connection: vibration- and temperature-resistant assembly



## Key Commercial Data

|              |               |
|--------------|---------------|
| Packing unit | 1 pc          |
| GTIN         |               |
| GTIN         | 4046356828253 |

## Technical data

### General

|  |   |
|--|---|
| Note   | Order information: Order crimp contacts 5 x 0.6 mm, 4 x Ø 1 mm separately |
| Type of locking                                    | for standard and SPEEDCON interlock                                       |
| Direction of rotation of contact chamber numbering | Standard  |
| Coding   | N   |
| Contact connection method                          | Crimp connection  |
| Type of contacts                                   | Pin   |
| Number of positions                                | 9   |
| Contact diameter of power contacts                 | 1 mm  |
| Nominal current per power contact at 25°C          | 14 A  |
| Contact diameter of signal contacts                | 0.6 mm  |
| Nominal current per signal contact at 25°C         | 3.6 A   |

## Device connector, front mounting - ST-8EP1N8AA400S - 1620437

### Technical data

#### General

|                             |         |
|-----------------------------|---------|
| Pg housing screw connection | none    |
| Mounting type               | 4x Ø2,7 |

#### Ambient conditions

|                      |                   |
|----------------------|-------------------|
| Ambient temperature  | -40 °C ... 125 °C |
| Degree of protection | IP67              |

#### Specifications according to DIN EN 61984:2001

|  |        |
|--|--------|
| Installation height max.                       | 3000 m |
| Nominal / operating voltage of power contacts  | 630 V  |
| Rated surge voltage of power contacts          | 6 kV   |
| Overvoltage category of power contacts         | III    |
| Degree of pollution of power contacts          | 3      |
| Nominal / operating voltage of signal contacts | 60 V   |
| Rated surge voltage of signal contacts         | 1.5 kV |
| Overvoltage category of signal contacts        | III    |
| Degree of pollution of signal contacts         | 3      |

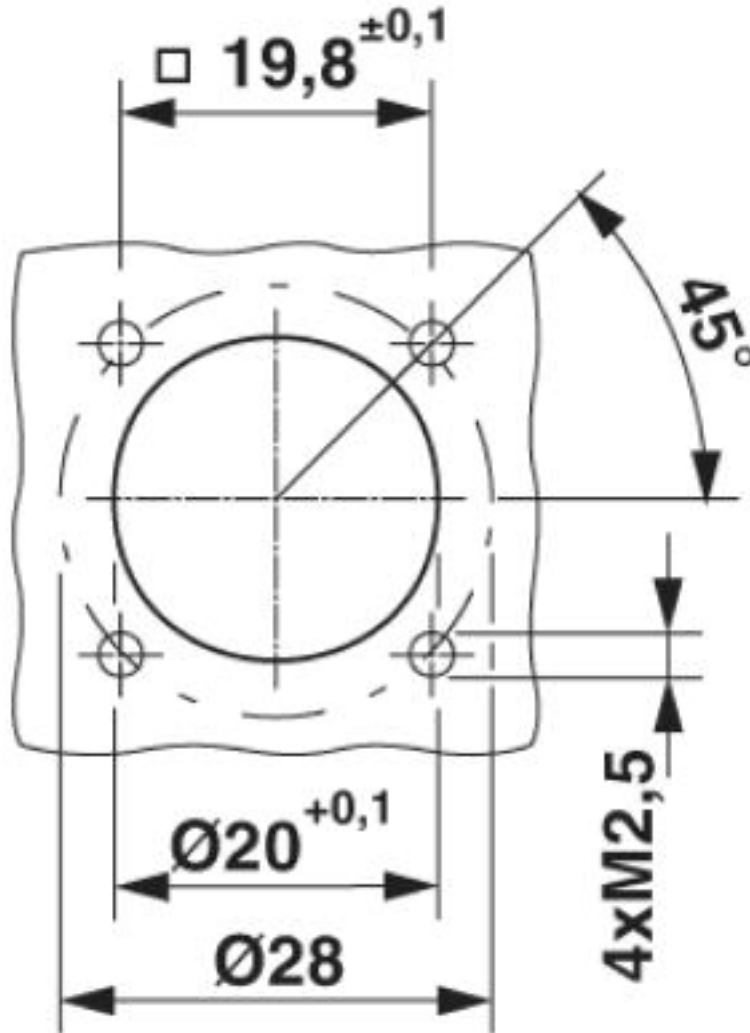
#### Environmental Product Compliance

|            |   |
|------------|---|
|            | Lead 7439-92-1  |
| China RoHS | Environmentally Friendly Use Period = 50  |
|            | For details about hazardous substances go to tab "Downloads", Category "Manufacturer's declaration" |

### Drawings

# Device connector, front mounting - ST-8EP1N8AA400S - 1620437

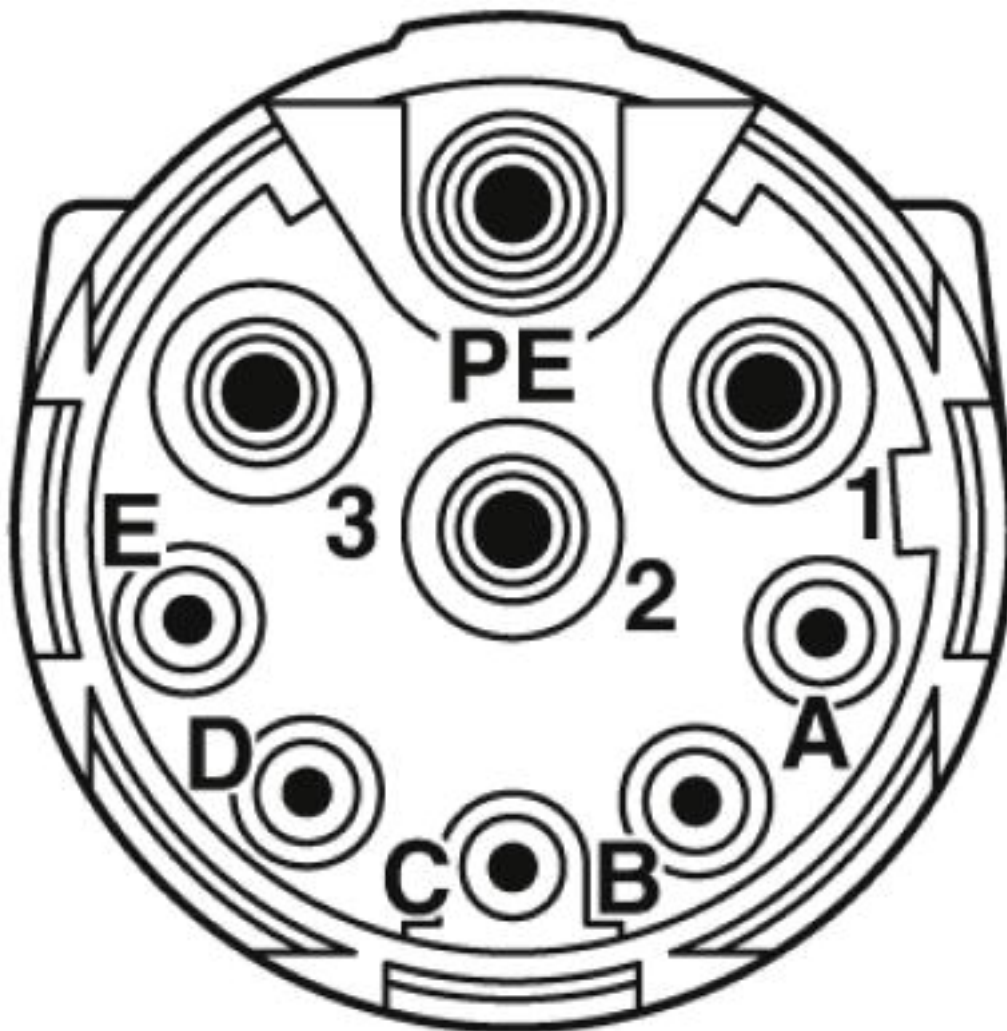
Dimensional drawing



Drill holes

# Device connector, front mounting - ST-8EP1N8AA400S - 1620437

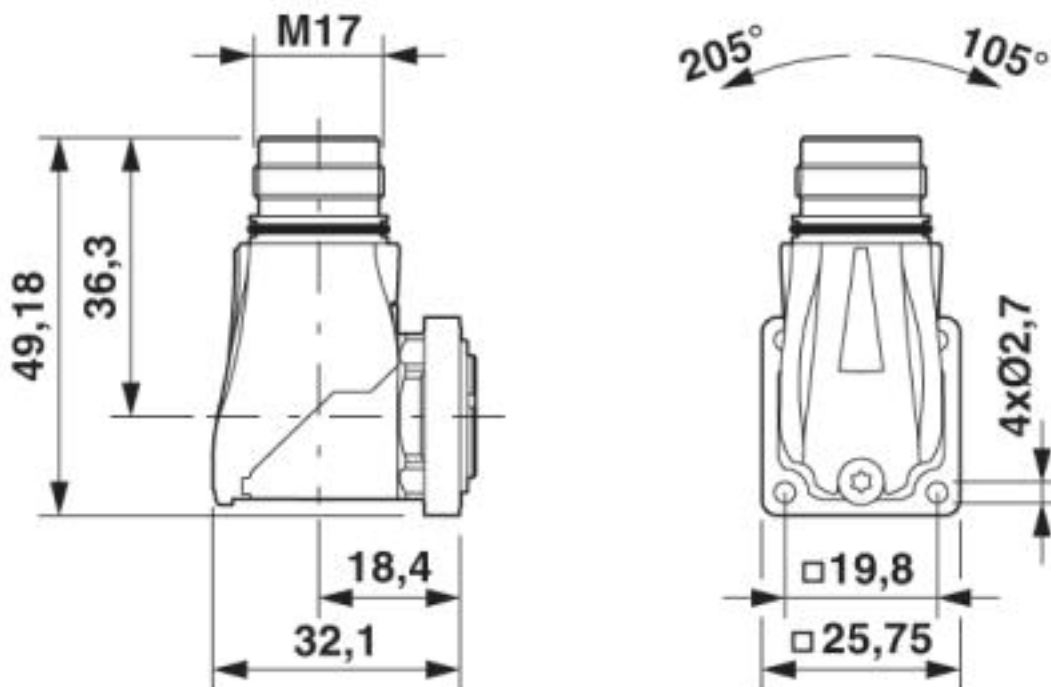
Schematic diagram



Connector pin assignment

# Device connector, front mounting - ST-8EP1N8AA400S - 1620437

Dimensional drawing



Dimensional drawing

## Approvals

Approvals

Approvals

UL Recognized / cUL Recognized / EAC / cULus Recognized


Ex Approvals


## Approval details


|                            |       |   |               |
|----------------------------|-------|---|---------------|
| UL Recognized              |       | <a href="http://database.ul.com/cgi-bin/XYV/template/LISEXT/1FRAME/index.htm">http://database.ul.com/cgi-bin/XYV/template/LISEXT/1FRAME/index.htm</a> | FILE E 335019 |
| Nominal voltage UN         | 600 V |   |               |
| Nominal current IN         | 3.5 A |   |               |
| mm <sup>2</sup> /AWG/kcmil | 20    |   |               |

## Device connector, front mounting - ST-8EP1N8AA400S - 1620437

### Approvals

|                            |   |   |               |
|----------------------------|---|---|---------------|
| cUL Recognized             |  | <a href="http://database.ul.com/cgi-bin/XYV/template/LISEXT/1FRAME/index.htm">http://database.ul.com/cgi-bin/XYV/template/LISEXT/1FRAME/index.htm</a> | FILE E 335019 |
| Nominal voltage UN         |   | 600 V   |               |
| Nominal current IN         |   | 3.5 A   |               |
| mm <sup>2</sup> /AWG/kcmil |   | 20  |               |

|     |   |         |
|-----|---|---------|
| EAC |  | B.01742 |
|-----|---|---------|

|                  |   |
|------------------|---|
| cULus Recognized |  |
|------------------|---|

Phoenix Contact 2019 © - all rights reserved  
<http://www.phoenixcontact.com>

PHOENIX CONTACT GmbH & Co. KG  
Flachsmarktstr. 8  
32825 Blomberg  
Germany  
Tel. +49 5235 300  
Fax +49 5235 3 41200  
<http://www.phoenixcontact.com>