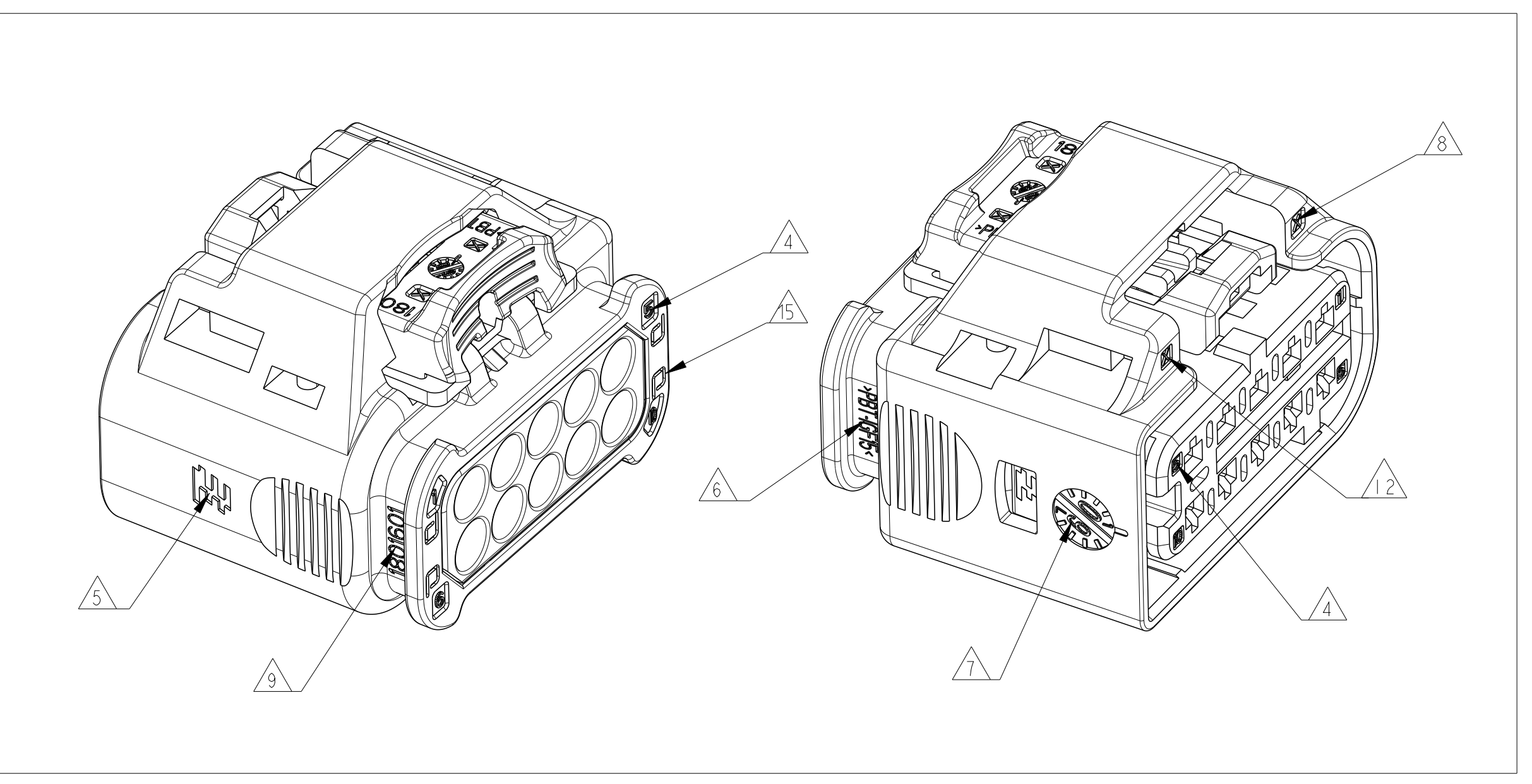
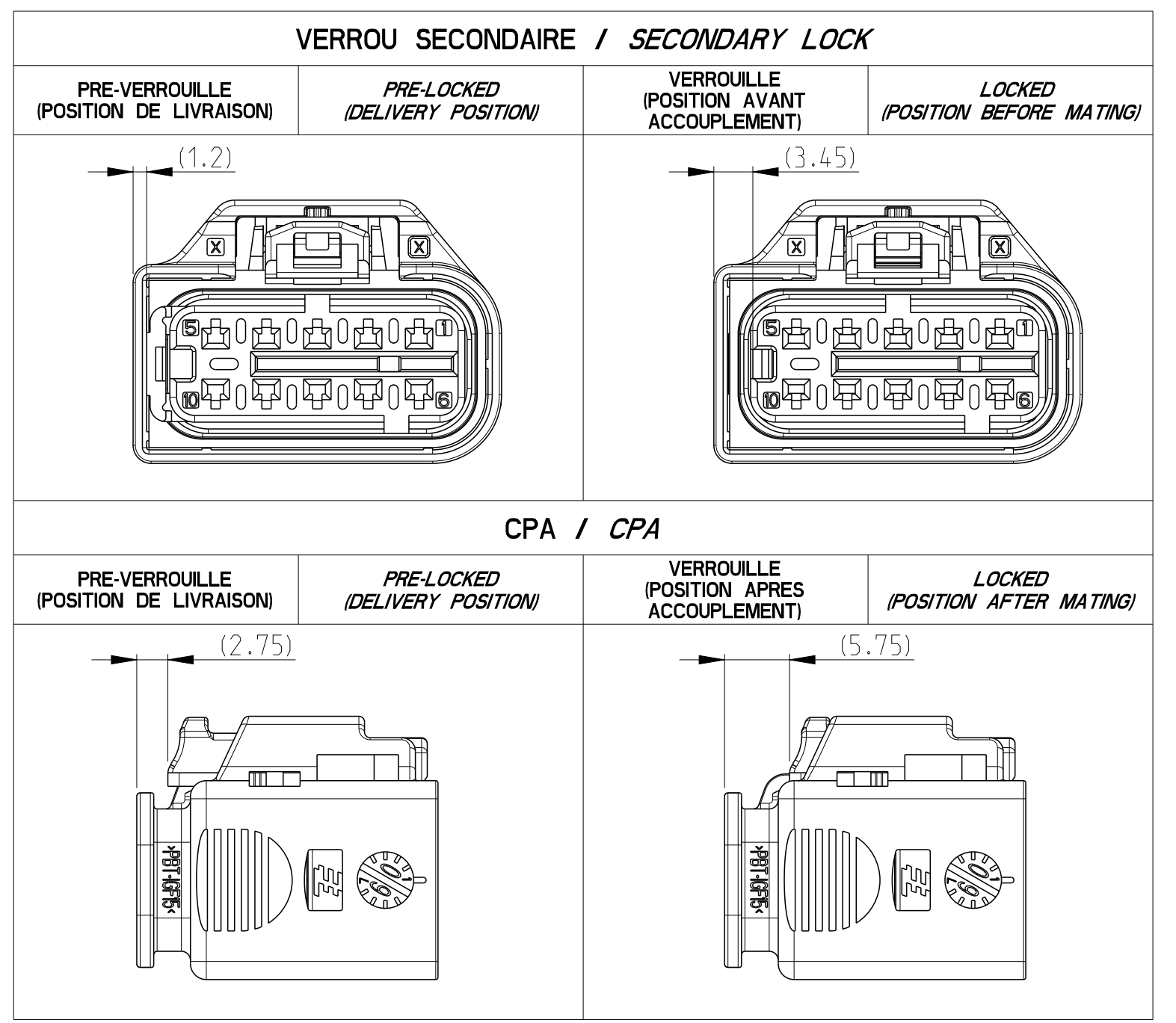


REV	DESCRIPTION	DATE	BY	APP
F	00			
C	ADD NUMBER OF PACKAGING SPECIFICATION	06/09/2010	DB	KR
D	SWS 963142-1 SUPERSEDED BY 963142-3	14/02/2012	DB	KR
E	ADD NEW PART NUMBER 1-1801600-7	20/01/2016	DB	KR
F	CHANGED SEAL MATERIAL INFORMATION	09/08/2018	ASB	GKT

REF. TE / TE PART	REVISION / REV	PRODOT / PART	CODAGE / CODING	COULEUR / COLOR	CODAGE / KEYING
1801600-1	B	A		NOIR / BLACK	
1801600-2	B	B		GRIS / GREY	
1801600-3	B	C		BLU / BLUE	
1801600-4	B	D		VERT / GREEN	
1801600-5	B	E		ORANGE / RED	
1801600-6	B		PAS DE CODAGE / NO KEYING	VIOLET / VIOLET	
1-1801600-7	B	A		MARON / BROWN	VERSION 4 VOIES 6 VOIES OBSTRUÉES (N°2,3,5,6,8,9) 4 WAYS VERSION 6 WAYS BLINDED (N°2,3,5,6,8,9)

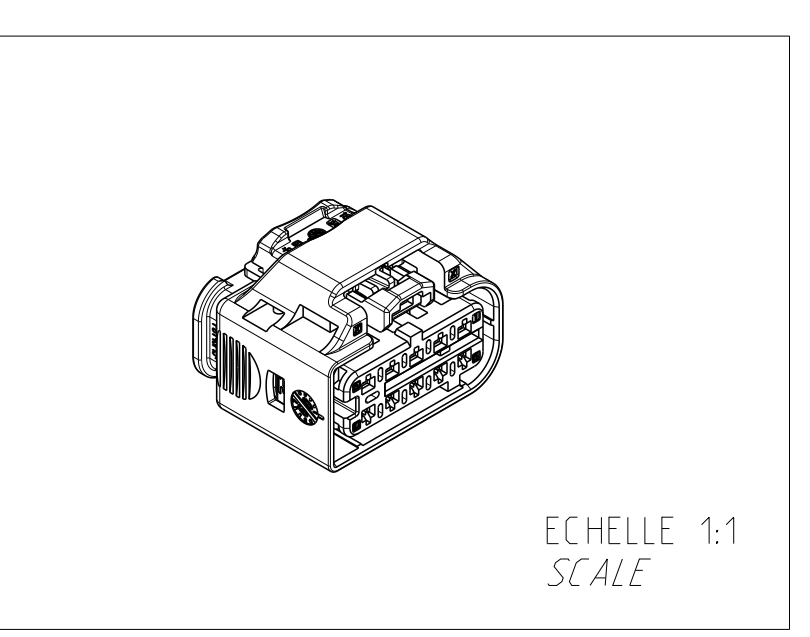
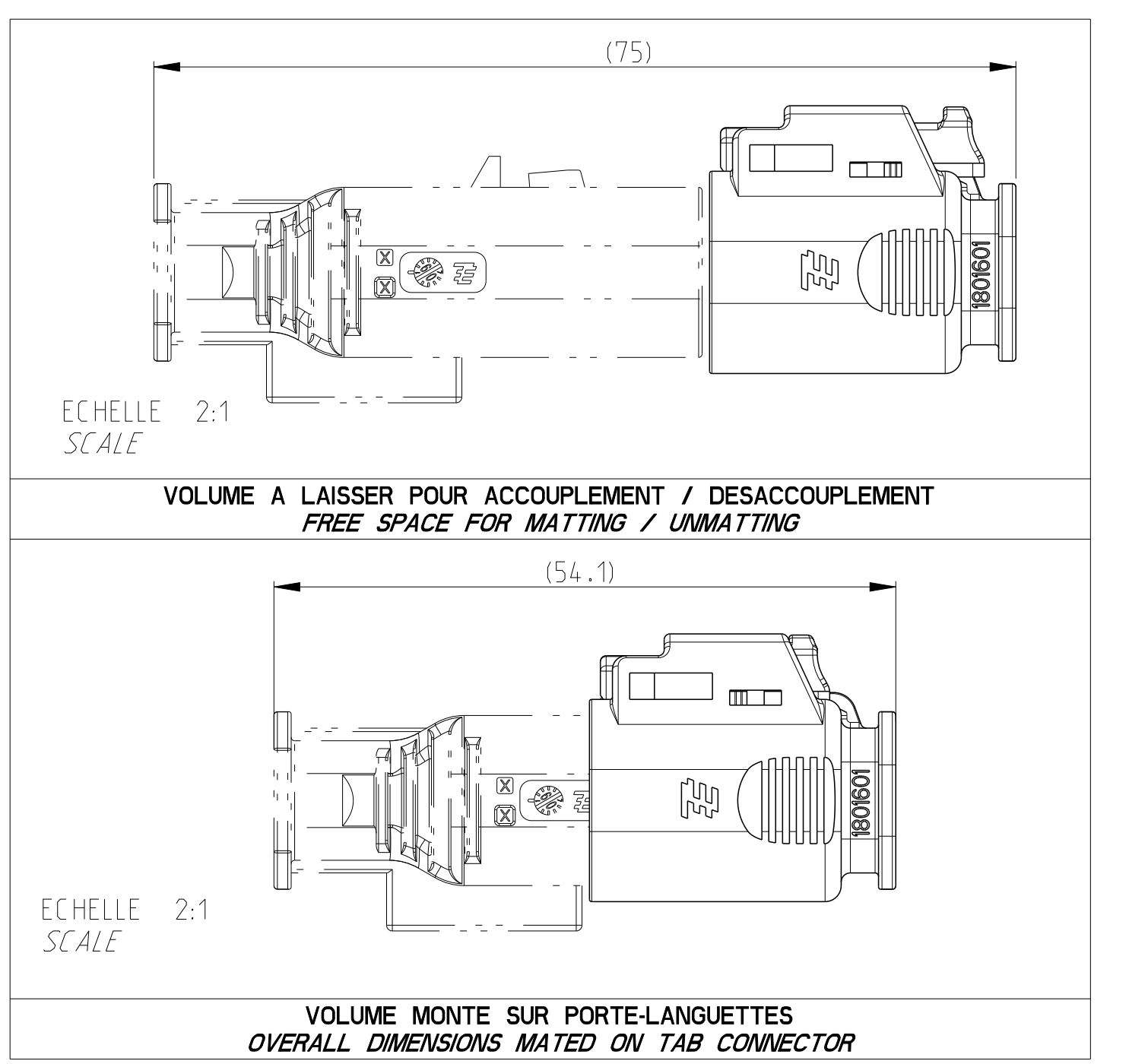
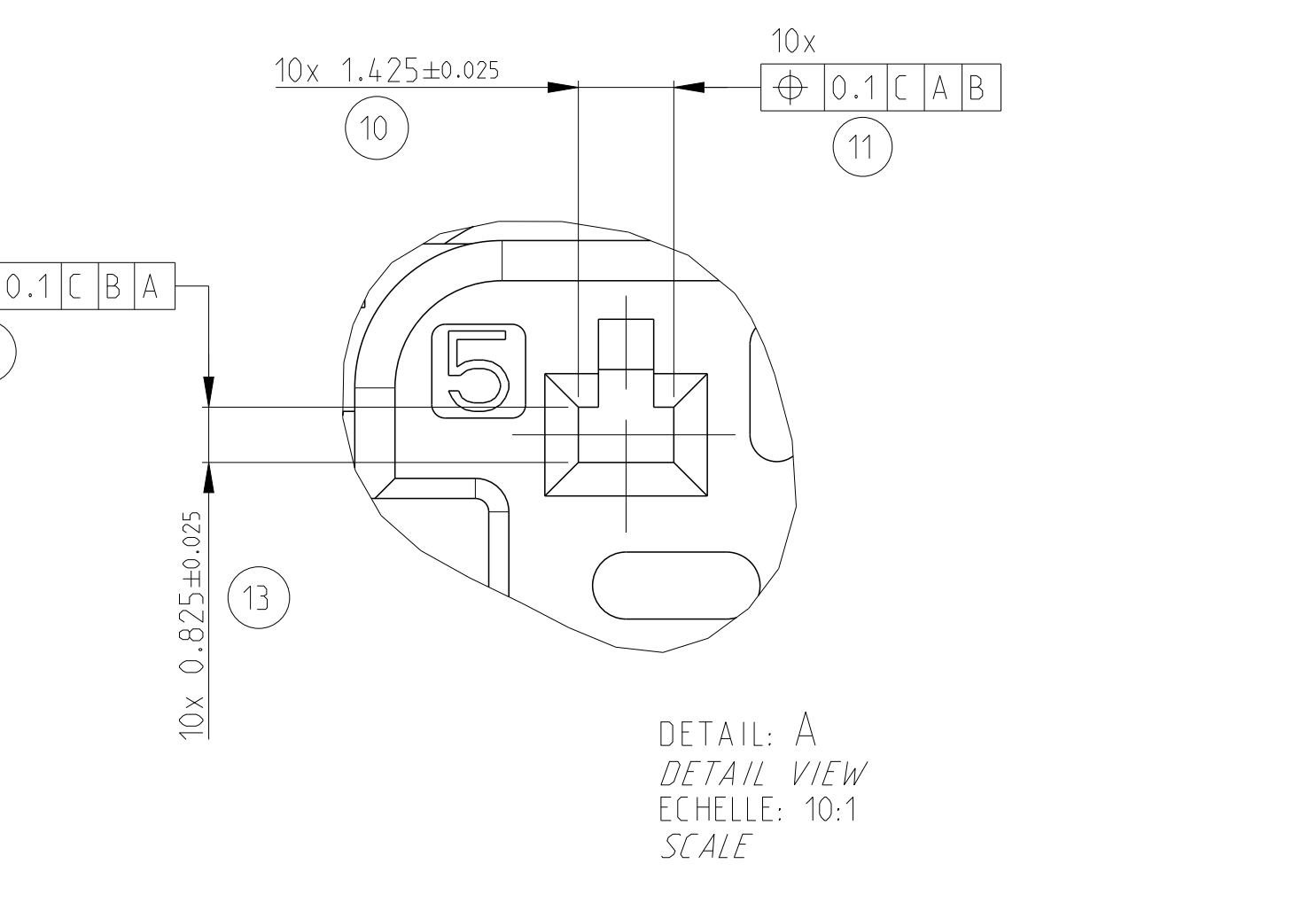
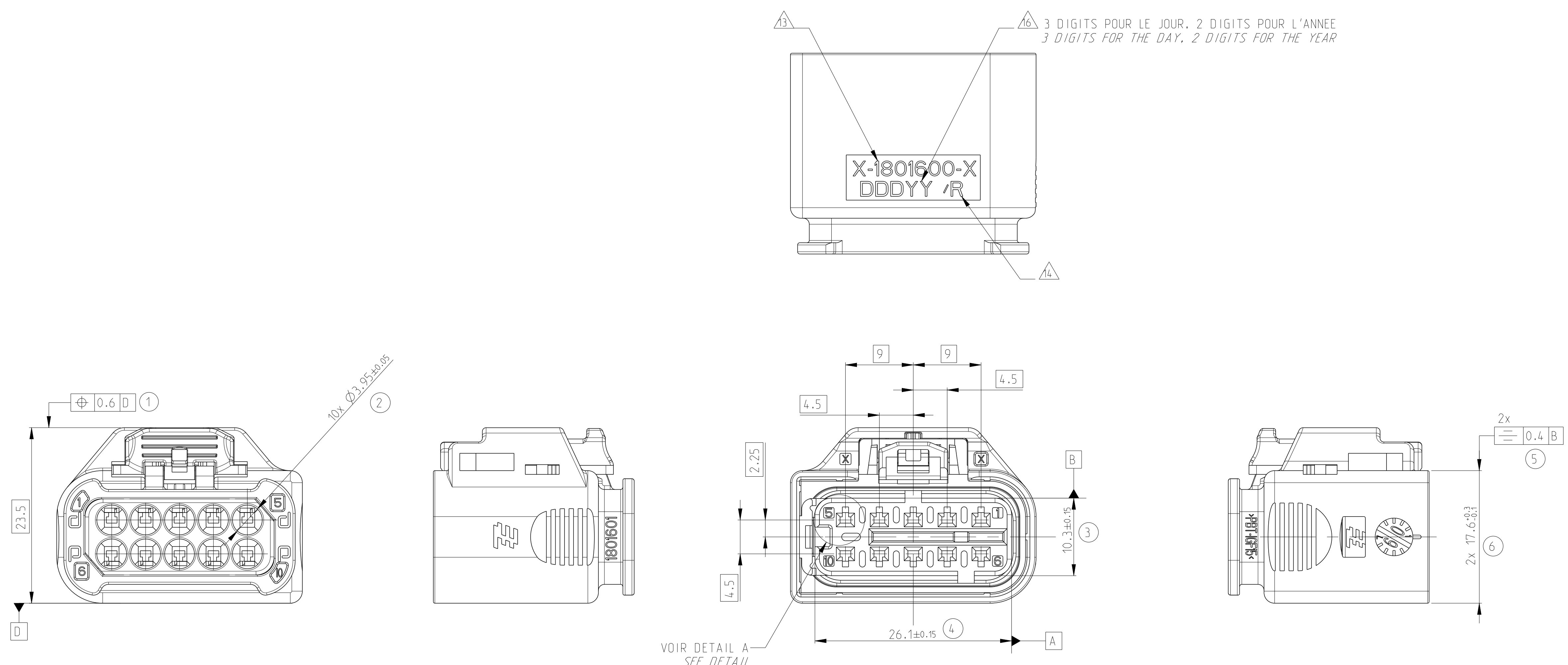


COMPOSANTS ASSOCIES (APPLIED COMPONENTS)

REFERENCE TE / TE PART NUMBER	DESIGNATION / DESCRIPTION	FINITION / FINISH	REMARQUE / NOTE
1452665-1	CONTACT / CONTACT	ETAME / TIN PLATED	CLIP MCON (MCON CONTACT) 0.25 A 0.35 MM ² (S0MM)
1452665-2	CONTACT / CONTACT	DORE / GOLD PLATED	CLIP MCON (MCON CONTACT) 0.25 A 0.35 MM ² (S0MM)
1452665-3	CONTACT / CONTACT	ARGENTE / SILVER PLATED	CLIP MCON (MCON CONTACT) 0.25 A 0.35 MM ² (S0MM)
1452668-1	CONTACT / CONTACT	ETAME / TIN PLATED	CLIP MCON (MCON CONTACT) 0.5 A 0.75 MM ² (S0MM)
1452668-2	CONTACT / CONTACT	DORE / GOLD PLATED	CLIP MCON (MCON CONTACT) 0.5 A 0.75 MM ² (S0MM)
1452668-3	CONTACT / CONTACT	ARGENTE / SILVER PLATED	CLIP MCON (MCON CONTACT) 0.5 A 0.75 MM ² (S0MM)
1452671-1	CONTACT / CONTACT	ETAME / TIN PLATED	CLIP MCON (MCON CONTACT) 1 A 1.5 MM ² (S0MM)
1452671-2	CONTACT / CONTACT	DORE / GOLD PLATED	CLIP MCON (MCON CONTACT) 1 A 1.5 MM ² (S0MM)
1452671-3	CONTACT / CONTACT	ARGENTE / SILVER PLATED	CLIP MCON (MCON CONTACT) 1 A 1.5 MM ² (S0MM)
963142-3	Joint Uni-Filaire / Single Wire Seal		FIL (WIRE) Ø1.9 à 2.4 DE SECTION 1 - 1.5 MM ² ET ALVEOLE MCON (MCON CAVITY) Ø3.95
963142-2	Joint Uni-Filaire / Single Wire Seal		FIL (WIRE) Ø1.25 à 1.9 DE SECTION 0.35 - 0.75 MM ² ET ALVEOLE MCON (MCON CAVITY) Ø3.95
963143-1	BOUCHON / CAP		OBTURATEUR POUR ALVEOLES MCON Ø3.95 (PLUG FOR Ø3.95 MCON CAVITY)

NOTE:

1	1801600-1 : REPRESENTE	1801600-1 : AS SHOWN
2	COMPATIBLE AVEC ALVEOLES STD. CLIPS MCON 1,2	COMPATIBLE WITH CAVITY STANDARD CLIP MCON 1,2
⚠	REPERE ALVEOLES	CAVITY NUMBER
Ⓜ	LOGO TE	TE STAMP
Ⓜ	IDENTIFICATION MATIERE	MATERIAL IDENTIFICATION
Ⓜ	DATE DE MOULAGE	MOLDING DATE CODE
Ⓜ	N° EMPREINTE DU MOULE	MOLD CAVITY IDENTIFICATION
Ⓜ	REFERENCE COMPOSANTS	COMPONENTS PART NUMBER
10	CAHIER DE PRECONISATION : 411-15748	INSTRUCTION SHEET : (SEE BEFORE)
Ⓜ	INDICE DE REVISION COMPOSANTS	PART REVISION CODE
Ⓜ	REFERENCE DU PRODUIT ASSEMBLE	ASSEMBLY PART NUMBER
Ⓜ	INDICE DE REVISION DU PRODUIT ASSEMBLE	ASSEMBLY PART REVISION CODE
Ⓜ	LOGO POUR ORIENTATION DU CONTACT	LOGO FOR CONTACT ORIENTATION
Ⓜ	DATE D'ASSEMBLAGE	ASSEMBLY DATE CODE
17	SPECIFICATION DE CONDITIONNEMENT : 107-15634	PACKAGING SPECIFICATION : (SEE BEFORE)



COULEUR / COLOR	MATIERE / MATERIAL	DESCRIPTION / TITLE	REP. / ITEM
VERT / GREEN	SILICONE DURETE 50 SHORE A / SILICON ; HARDNESS 50 SHORE A	JOINT INTERFACIAL / INTERFACE SEAL	5
ORANGE / ORANGE	PBT-1GF35	CPA / CPA	4
JAUNE / YELLOW	PBT-1GF30	DOUBLE VERROUILLAGE / SECONDARY LOCKING	3
VOIR TABLEAU DES REFERENCES / SEE TABLE OF PART NUMBER	PBT-1GF35	BOITIER CAVITE / CODAGE (VOIR TABLEAU DES REFS) / CAVITY HOUSING / CODING (SEE TABLE OF PART NO)	2
NOIR / BLACK	PBT-1GF35	BOITIER PORTE-CLIPS / RECEPTACLE HOUSING	1

THIS DRAWING IS A CONTROLLED DOCUMENT.

DATE: 06/09/2010

DESIGNER: DB

APPROVED: DB

SCALE: 1:1

SIZE: A0

PROJECT: 100779

REV: 1

TE Connectivity

PORTE-CLIPS 10 VOIES MCON
 10 WAYS MCON RECEPTACLE HOUSING