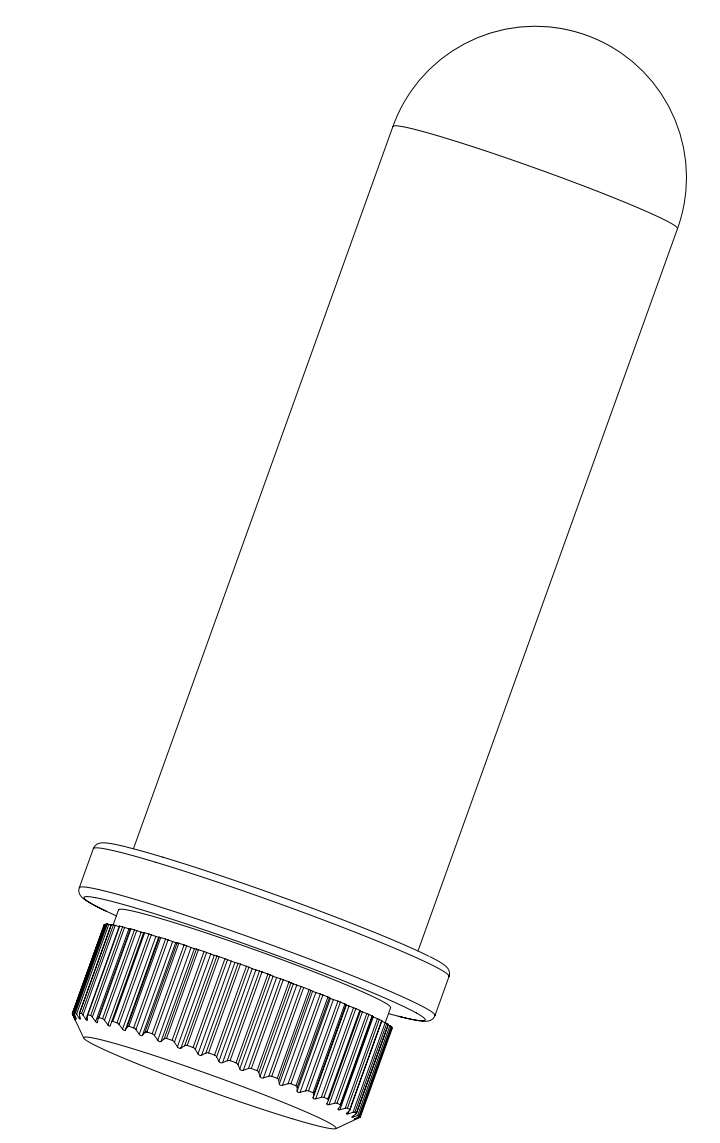
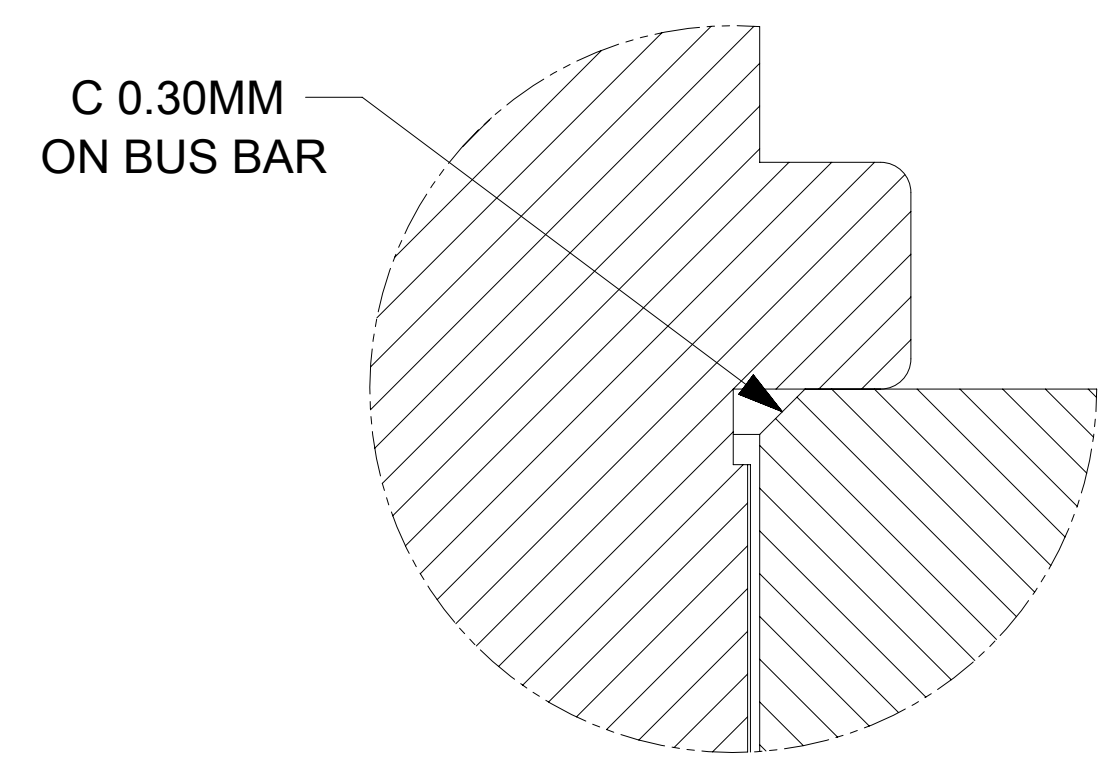
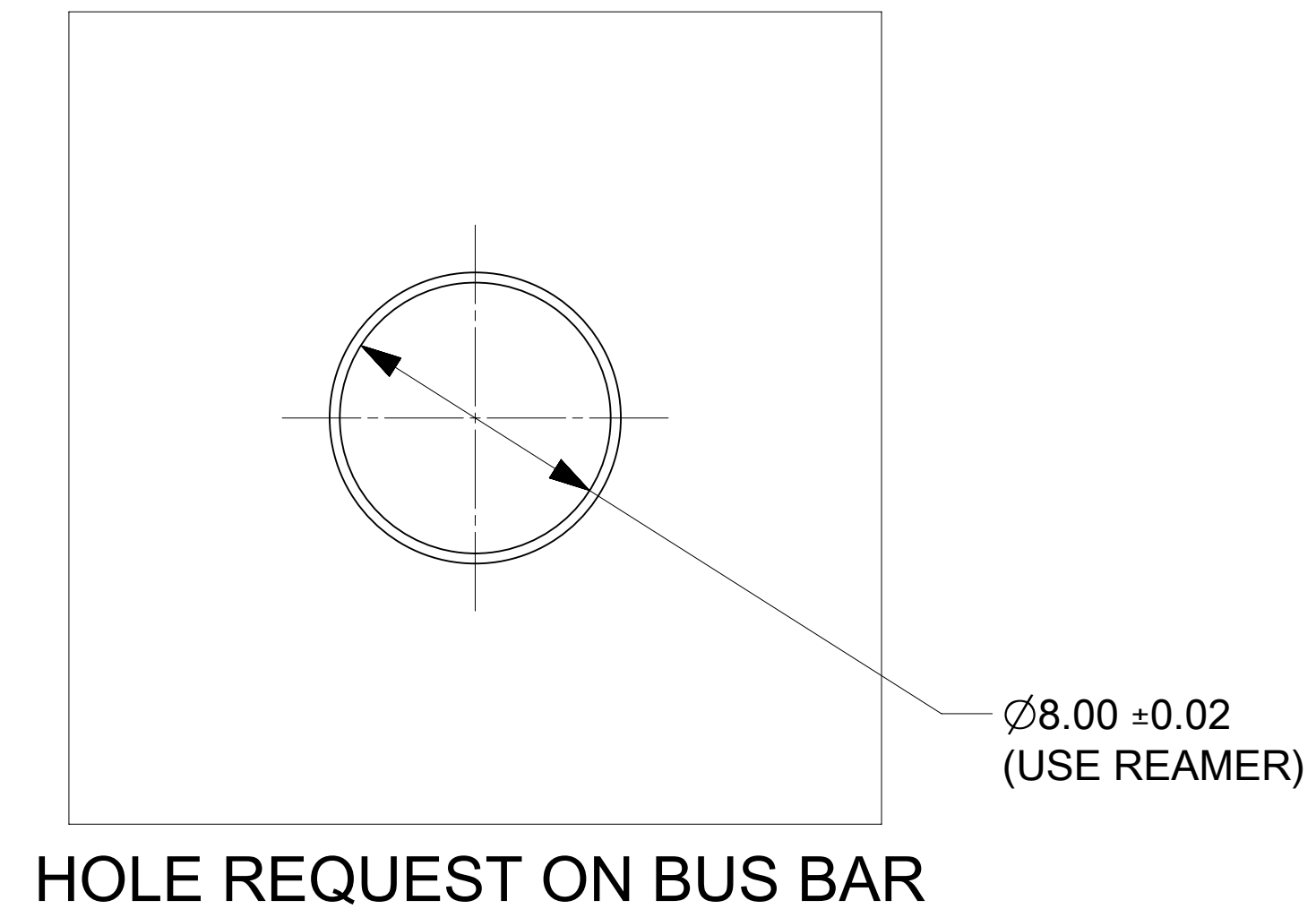
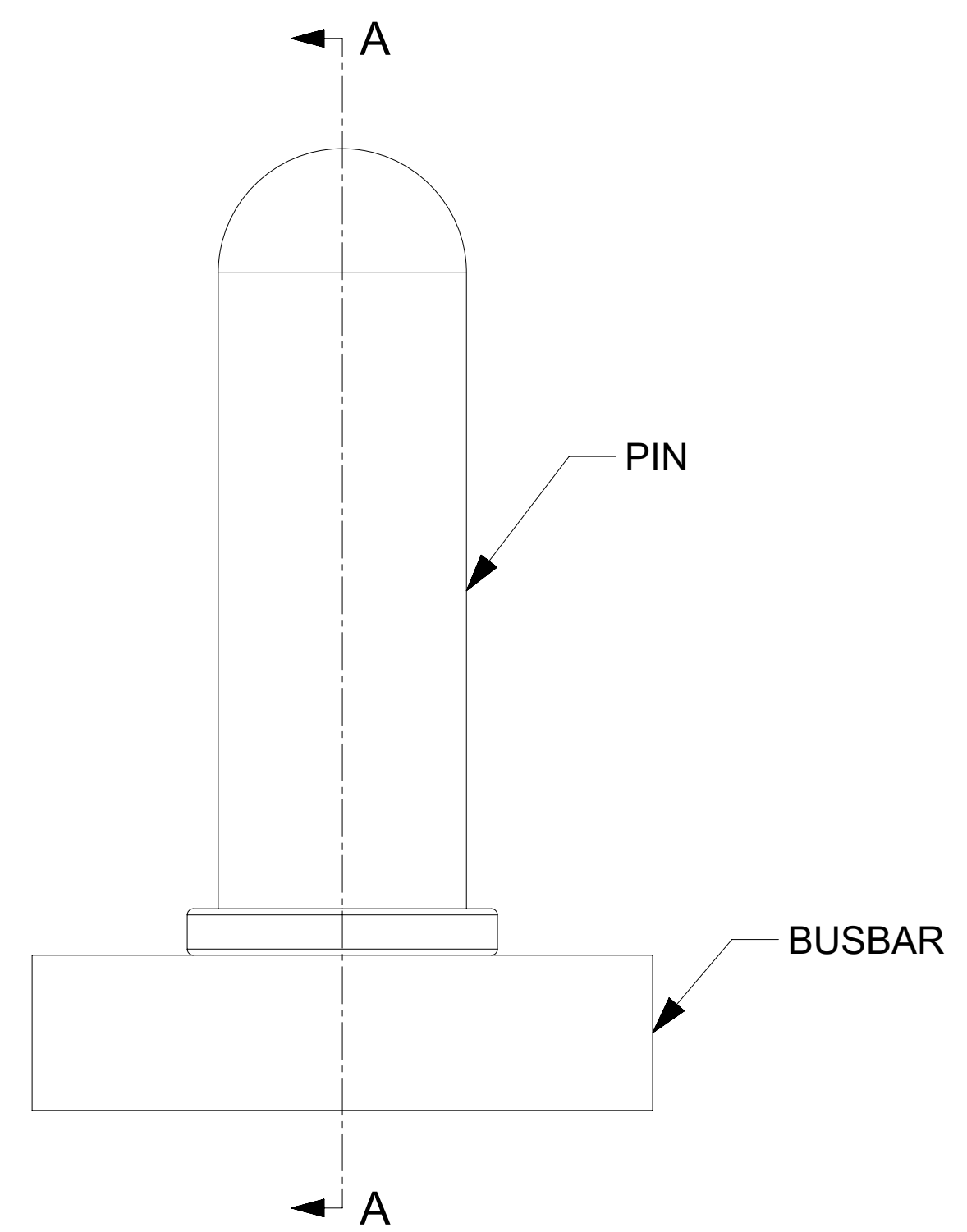
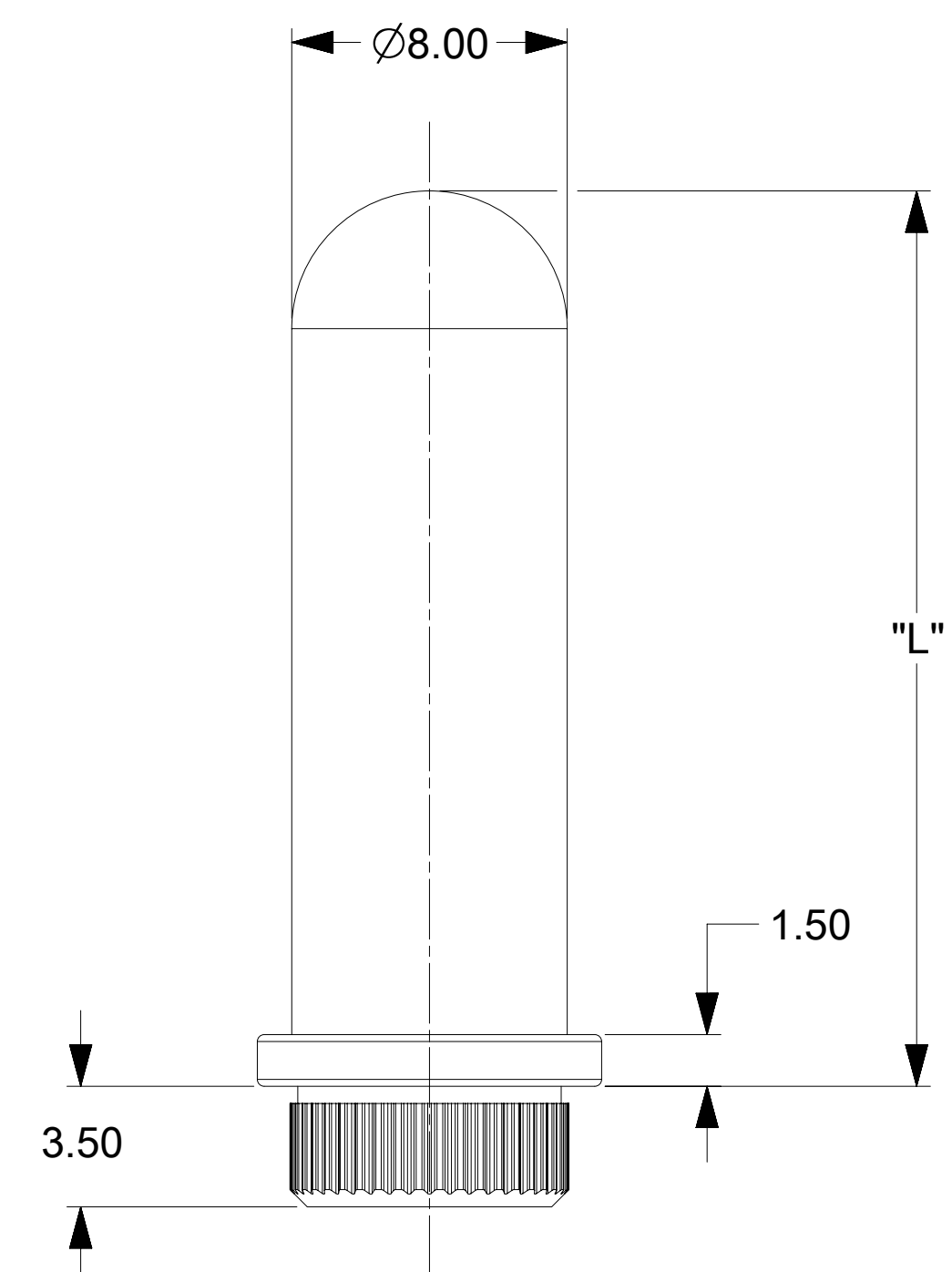
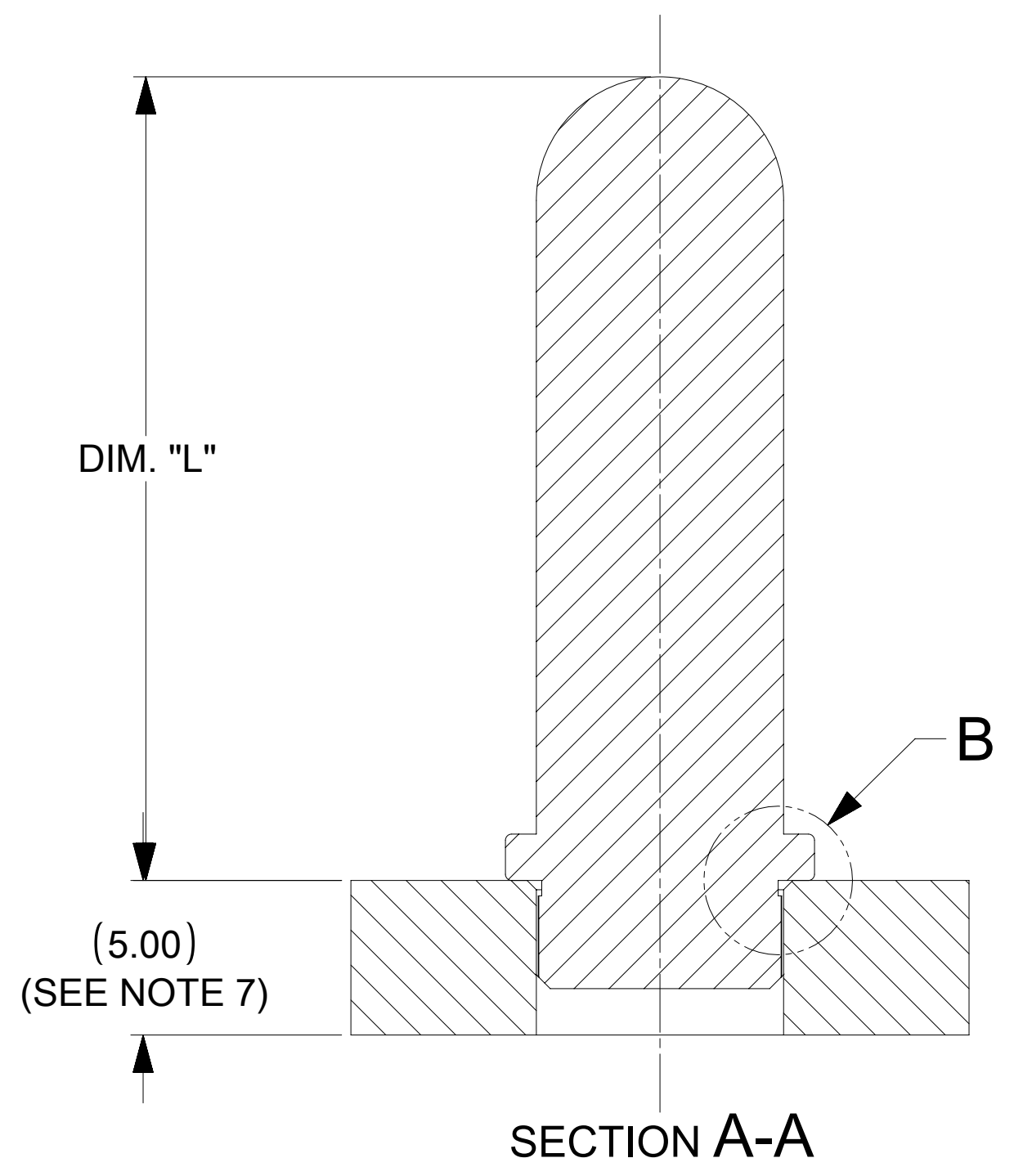
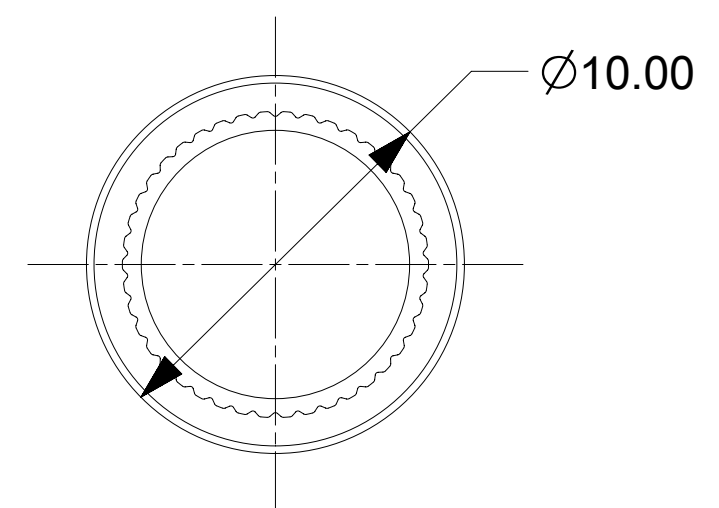


PART NUMBER	DIMENSION L
203263-0011	16.00
203263-0001	26.00
203263-0031	36.00
203263-0041	46.00
203263-0051	39.00
203263-0061	20.00
203263-0071	48.00



ISOMETRIC VIEW OF THE
CST 8.00MM MALE PIN, PRESS-FIT MOUNT



NOTES :

- MATERIALS :
- BASE METAL: HIGH CONDUCTIVE COPPER ALLOY
- PLATING ON BODY: 3.18 MICRON MIN SILVER OVER 1.27 MICRON MIN NICKEL
- PRODUCT SPECIFICATION : 2043130001-PS
- APPLICATION SPECIFICATION : 2043130001-AS
- PACKAGING SPECIFICATION : 2032630006-PK
- SILVER COMPONENTS WILL BE SUPPLIED TARNISH FREE BUT MAY TARNISH OVER TIME.
- MINIMUM RECOMMENDED BUSBAR THICKNESS IS 1.50MM

THIS DRAWING CONTAINS INFORMATION THAT IS PROPRIETARY TO MOLEX ELECTRONIC TECHNOLOGIES, LLC AND SHOULD NOT BE USED WITHOUT WRITTEN PERMISSION											
DIMENSION UNITS		SCALE		CURRENT REV DESC: UPDATED THE DESCRIPTION							
mm		NTS									
GENERAL TOLERANCES (UNLESS SPECIFIED)											
ANGULAR TOL		± 0.5°									
4 PLACES		±		EC NO: 726284							
3 PLACES		±		DRWN: SOURAJ 2022/10/26							
2 PLACES		± 0.15		CHK'D: SUVARS 2022/10/27							
1 PLACE		± 0.25		APPR: GSHARMA 2022/10/28							
0 PLACES		±		INITIAL REVISION:							
DRAFT WHERE APPLICABLE MUST REMAIN WITHIN DIMENSIONS				THIRD ANGLE PROJECTION		DRAWING		SERIES		MATERIAL NUMBER	
						D-SIZE		203263		203263	
						SEE TABLE		GENERAL MARKET		SHEET NUMBER	
										1 OF 1	