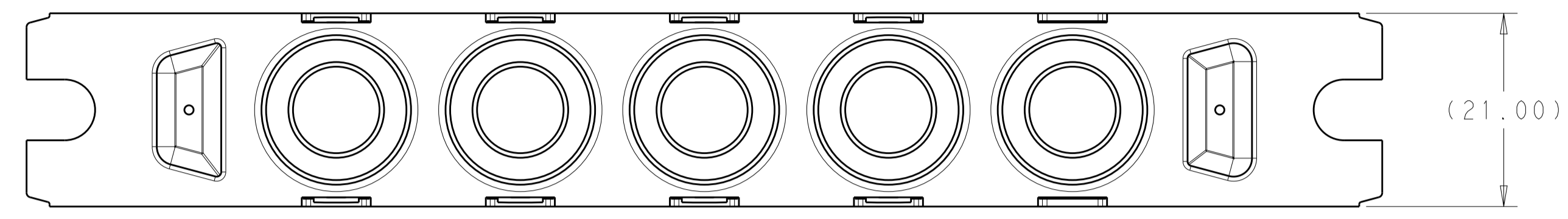
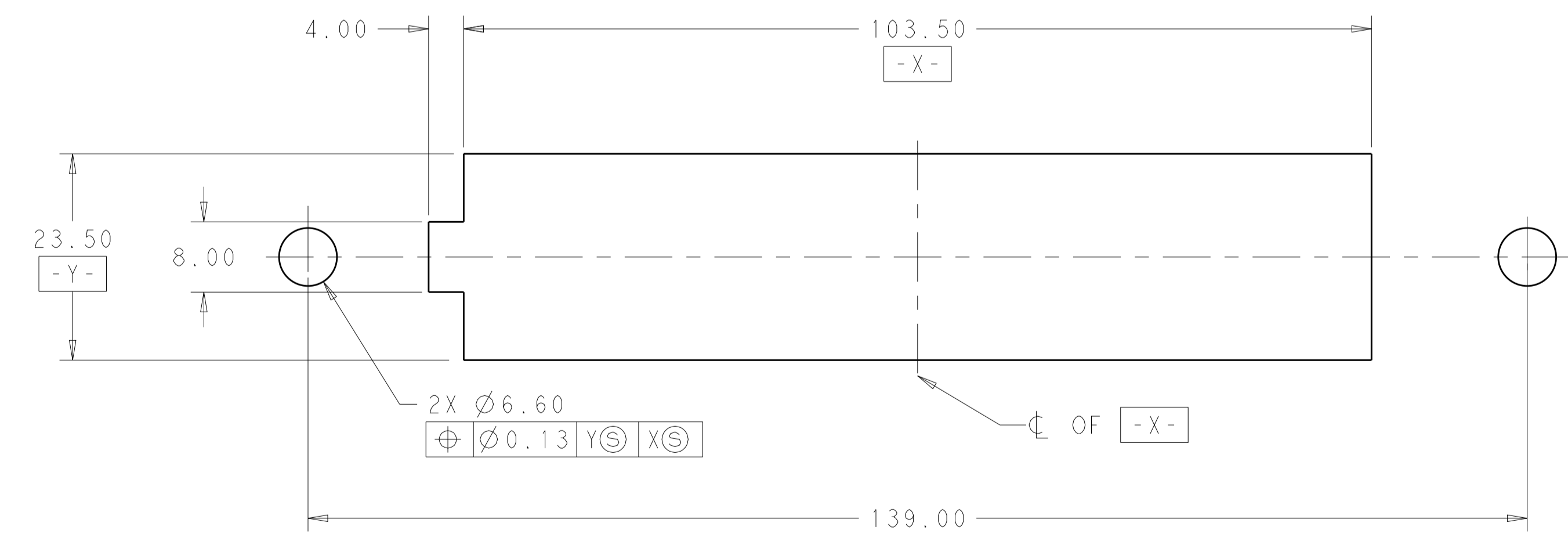
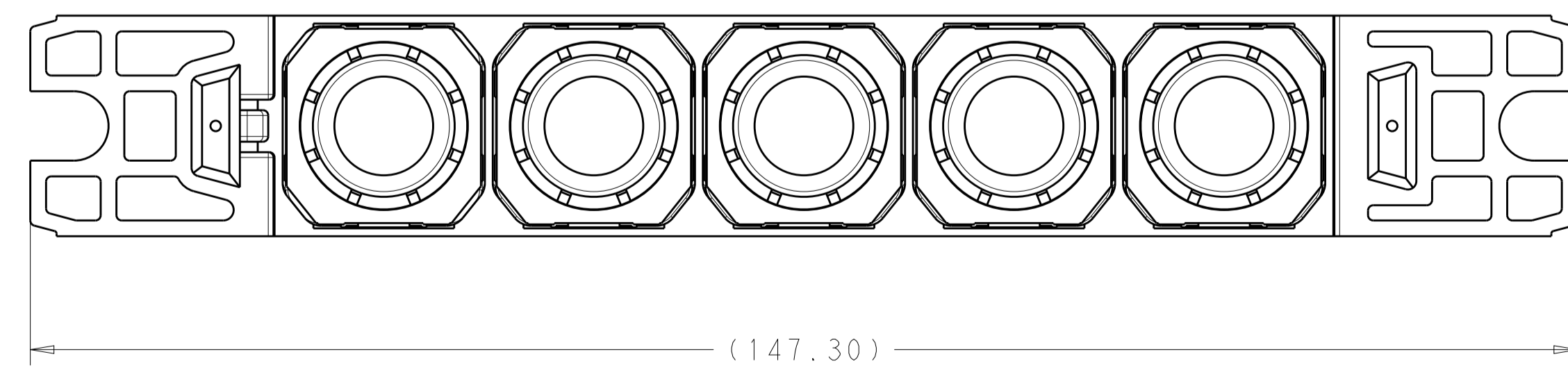
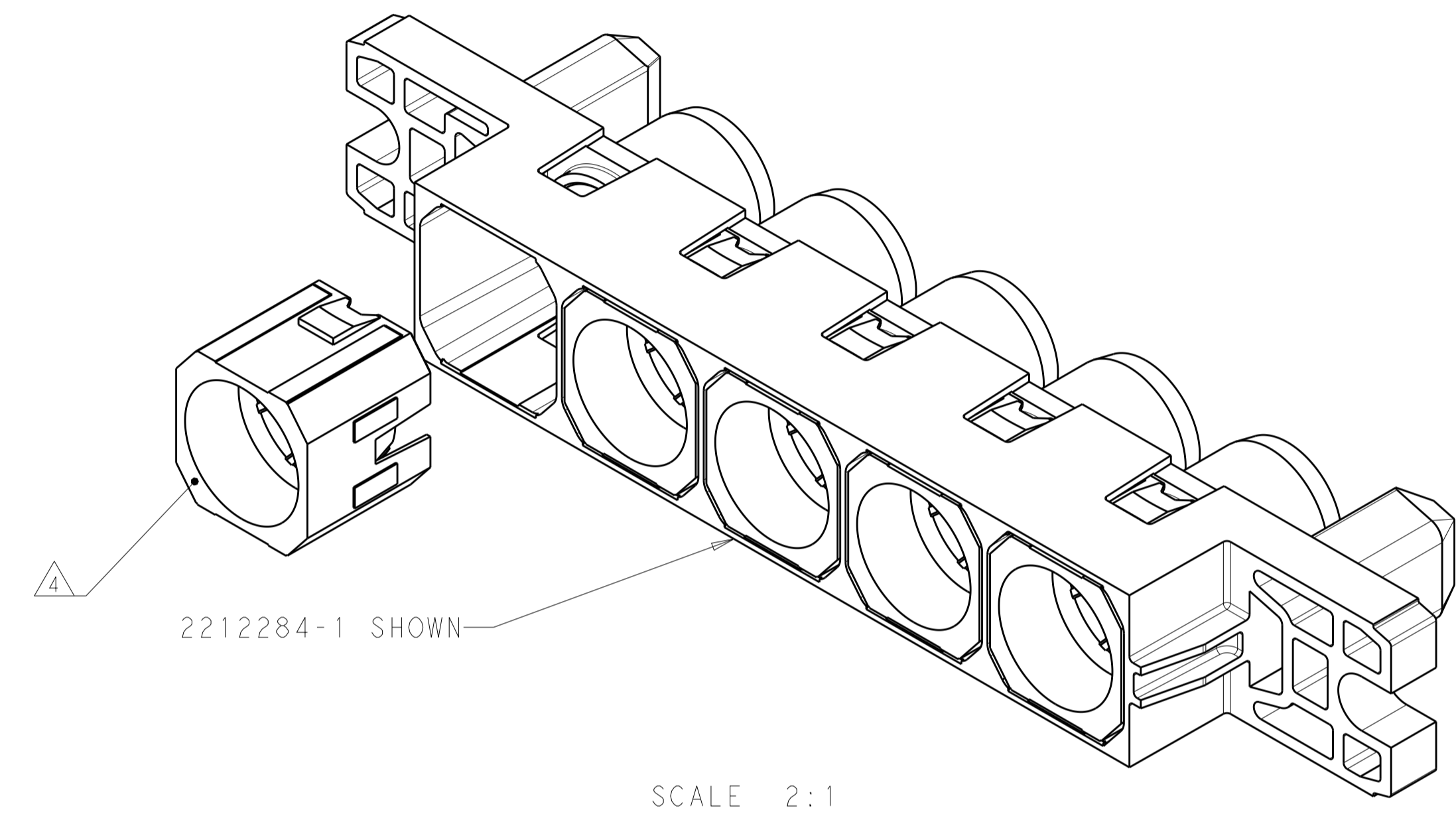
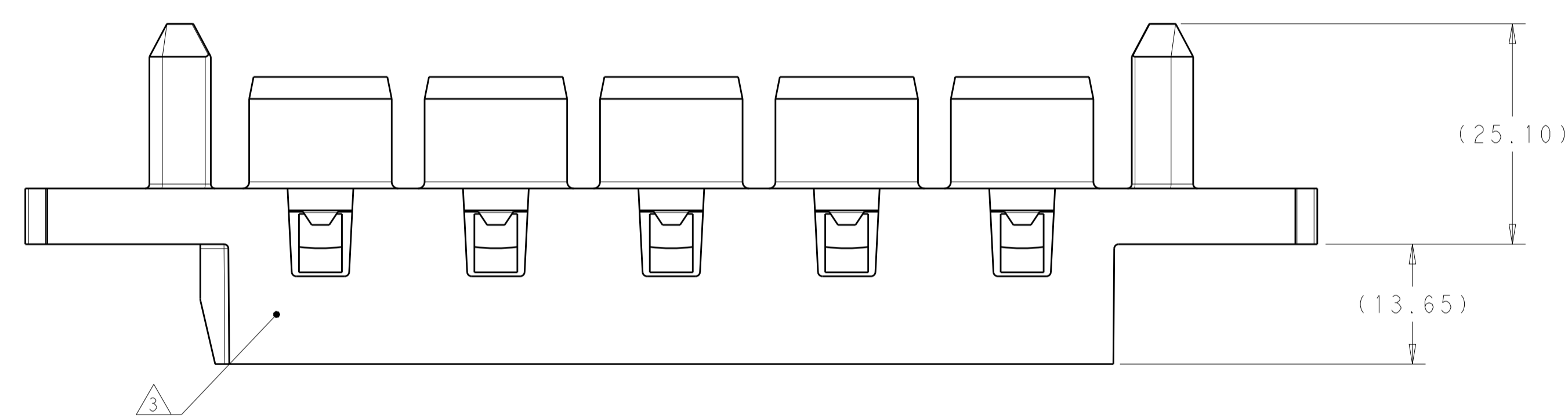


REVISIONS				
P.	LTN	DESCRIPTION	DATE	DWN APVD
5		MODIFY NAME IN TITLE BOX	24DEC2015	RS SZ
6		MODIFY NOTES	30DEC2015	RS SZ
7		MODIFY NOTES	30DEC2015	RS SZ



1. MATERIAL: THERMOPLASTIC, COLOR BLACK, FLAMMABILITY RATING: UL 94 V-0.
2. THIS ASSEMBLY MATES WITH TEC PART NUMBER 2212282-1.
3. DATE CODE AND PART NUMBER IN APPROXIMATE AREA SHOWN.
4. SIZE #0 INSERTS (QUANTITY: 5) SHIPPED ASSEMBLED INTO FRONT HOUSING.
5. RECOMMENDED PANEL CUTOUT FOR FRONT PANEL MOUNT APPLICATION. RECOMMENDED PANEL THICKNESS 1.5 TO 1.78.



5. RECOMMENDED PANEL CUTOUT  
 SCALE 2:1

2212284-1  
 PART NO.

THIS DRAWING IS A CONTROLLED DOCUMENT.		DWN: R. IRENA 31JUL2014	TE Connectivity
DIMENSIONS: mm		CHK: E. WICKES 31JUL2014	
TOLERANCES UNLESS OTHERWISE SPECIFIED:		APVD: S. STRICKLER 31JUL2014	NAME: CONNECTOR, SOCKET, 1X5 5#0, PANEL MOUNT, FORGE
0 PLC	±N/A	PRODUCT SPEC	SIZE: A1
1 PLC	±N/A	APPLICATION SPEC	CAGE CODE: -
2 PLC	±0.25	WEIGHT	DRAWING NO: C=2212284
3 PLC	±N/A	CUSTOMER DRAWING	SCALE: 2:1
4 PLC	±N/A		SHEET 1 OF 1
ANGLES	±0.5°		REV 7
FINISH	-		