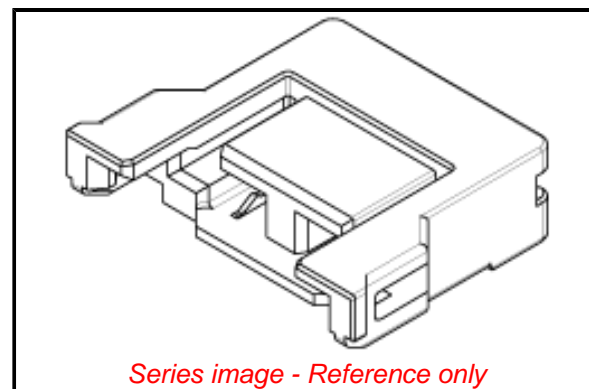


PLEASE CHECK WWW.MOLEX.COM FOR LATEST PART INFORMATION

Part Number: [5034740200](#)
Status: **Active**
Overview: Flexi-Mate Connector System
Description: Flexi-Mate 3.70mm Pitch Receptacle Circuit Terminator Connector, Right-Angle, 3.00mm Stacking Height, 2 Circuits

Documents:

3D Model	Application Specification AS-503471-001-061 (PDF)
Drawing (PDF)	Packaging Specification SPK-503474-001-001 (PDF)
Product Specification 5034710000-000 (PDF)	RoHS Certificate of Compliance (PDF)
Product Specification PS-503471-001-001 (PDF)	



Agency Certification

UL E29179

General

Product Family	Accessories
Series	503474
Component Type	Circuit Terminator
Overview	Flexi-Mate Connector System
Product Name	Flexi-Mate
UPC	883906918651

Physical

Circuits (Loaded)	2
Circuits (maximum)	2
Color - Resin	White
Flammability	94HB
Gender	Receptacle
Lock to Mating Part	Yes
Material - Metal	Phosphor Bronze
Material - Plating Mating	Tin
Material - Plating Termination	Tin
Net Weight	233.680/mg
Packaging Type	Bag
Polarized to Mating Part	Yes
Temperature Range - Operating	-40° to +85°C
Termination Interface: Style	N/A

Electrical

Current - Maximum per Contact 2.0A

Material Info

Reference - Drawing Numbers

Application Specification	AS-503471-001-061
Packaging Specification	SPK-503474-001-001
Product Specification	5034710000-000, PS-503471-001-001
Sales Drawing	SD-503474-001

EU ELV

Not Relevant

EU RoHS

Compliant

REACH SVHC

Not Contained Per
-ED/88/2018 (15
January 2019)

Halogen-Free

Status

Not Low-Halogen

For more information, please visit [Contact US](#)

China ROHS

ELV

RoHS Phthalates

China RoHS

Green Image

Not Relevant

Not Contained

Search Parts in this Series

[503474 Series](#)

Use With

[503469 PCB Header](#)