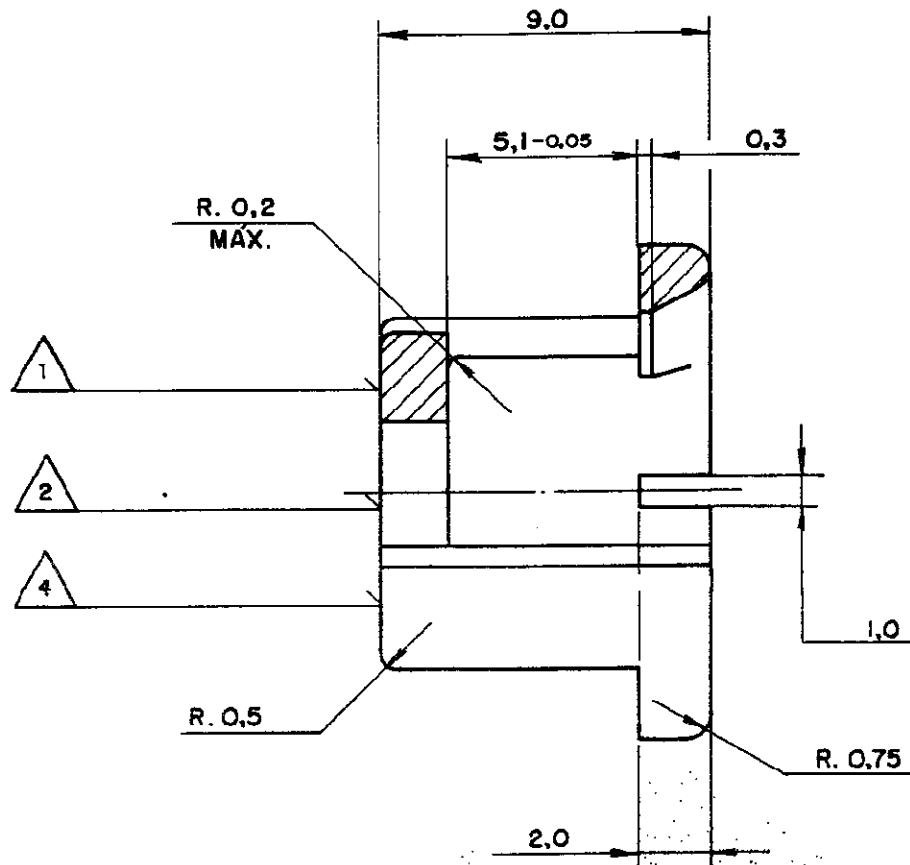


C881307

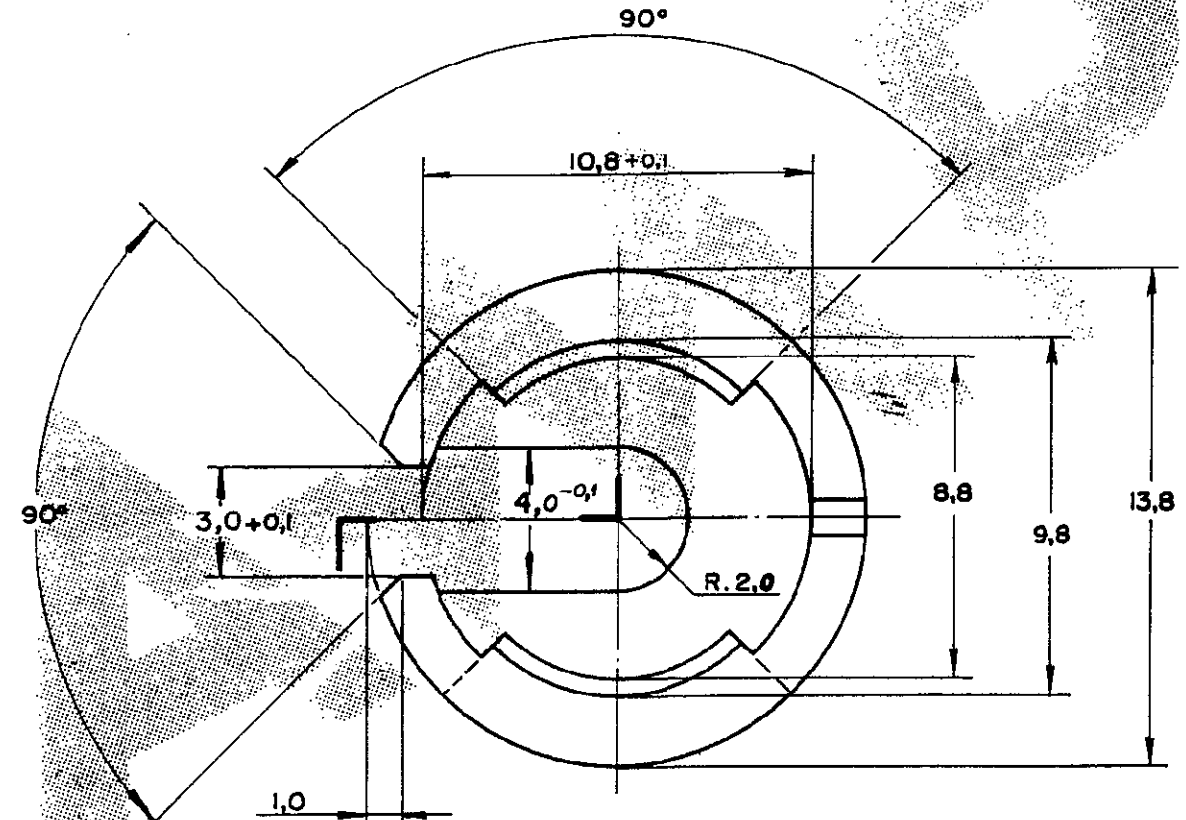
DO NOT SCALE
DIMENSIONS IN

METRIC

3rd ANGLE PROJECTION



CORTE AA



- ① - Nº VOLKSWAGEN: DIN 1451
- VOLKSWAGEN Nº DIN 1451
- ② - MARCA REGISTRADA VOLKSWAGEN: VW 105-14
- VOLKSWAGEN TRADEMARK: VW 105-14
- ③ - MARCA REGISTRADA AMP: 105-40
- AMP TRADEMARK: 105-40
- ④ - PAÍS PRODUTOR: VW 105-40
- COUNTRY OF ORIGIN: VW 105-40

307972 613 1		VIOLETA / VIOLET	PA 66 25% ± 3% FVIDR. / G.F.	881307 - 1
PART NUMBER VW		FINISH	MATERIAL	PART NUMBER
CUSTOMER DWG for REFERENCE ONLY			THIS DRAWING IS UNPUBLISHED. RELEASED FOR PUBLICATION.	
			© COPYRIGHT 1988 BY AMP DO BRASIL LTDA S.P. ALL INTERNATIONAL RIGHTS RESERVED. AMP PRODUCTS MAY BE COVERED BY U.S. AND FOREIGN PATENTS AND/OR PATENTS PENDING.	
			TOLERANCES UNLESS OTHERWISE STATED DEC. ± 0,1 ANGLES ± 1°	INS. DIA. RANGE WIRE RANGE SCALE 5:1
			AMP do BRASIL LTDA. São Paulo, Brasil	
C1 REVISED BY EC-314/98 NCL PLF/AF/01-01-98			DR LOUÇA - 08/04/86	
C	REVISADO	P.S.B	23-88	CHK
B	REVISADO	P.S.B	26-88	CHK
A	REVISADO	P.S.B	12-1-97	DE
O	ERA P85-29346	W/000	13.08.86	DE
ISS	REVISION RECORD	DR	CHK	DATE
			DESCRIPTION SECONDARY LOCKING COVER FOR 1 POS. SEALING	
			A3 DWG NO C 881307 SHEET 1 of 1	