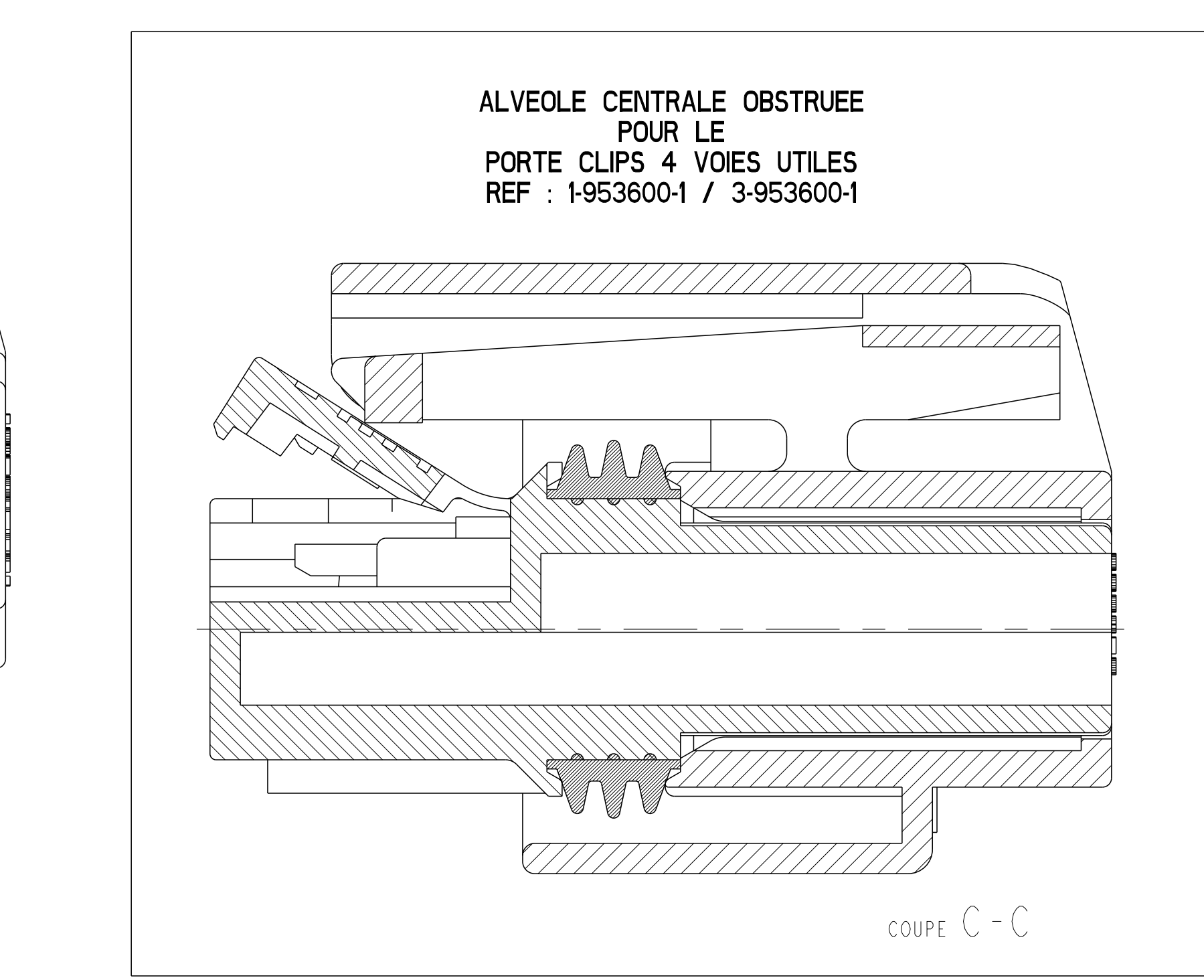
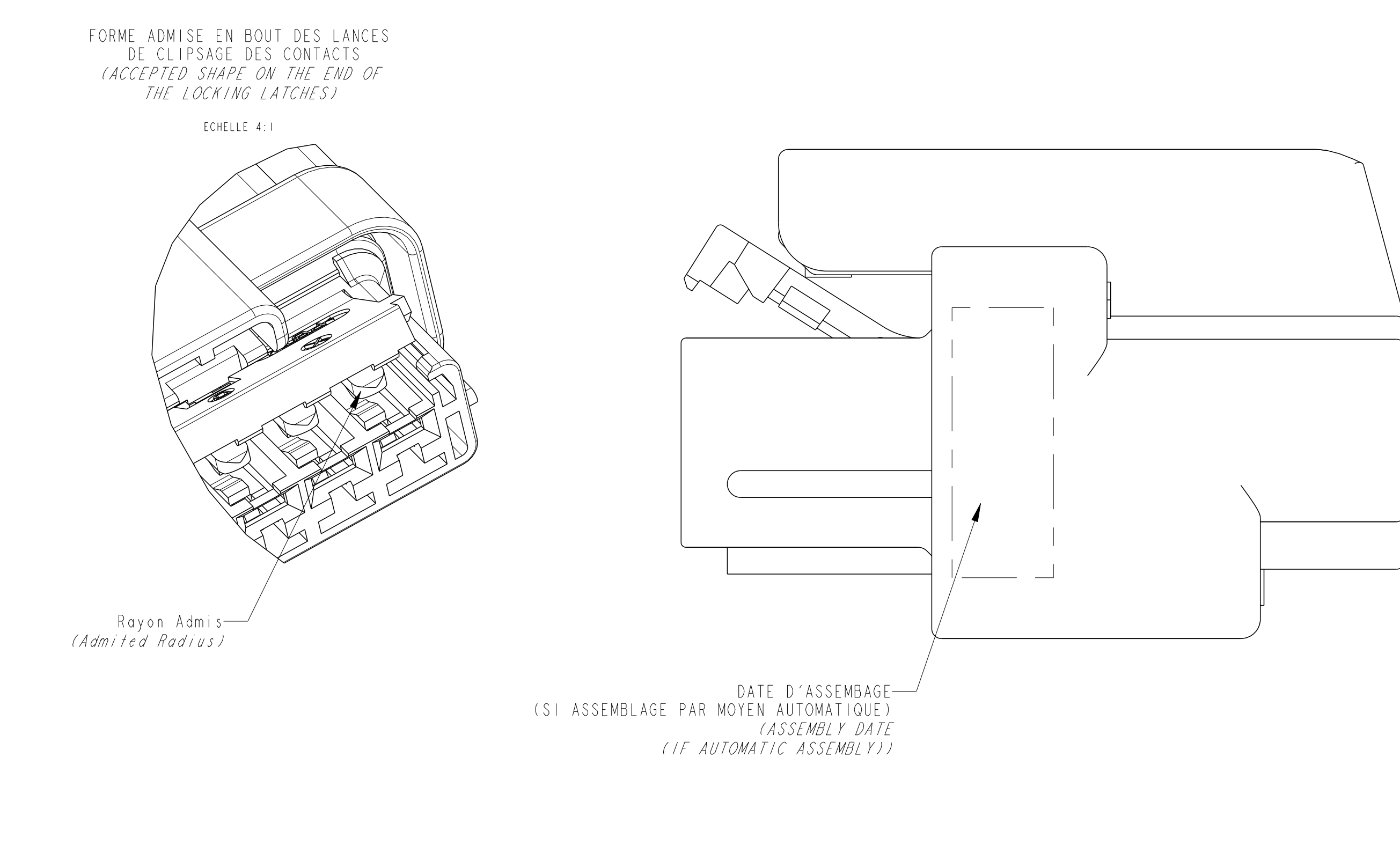
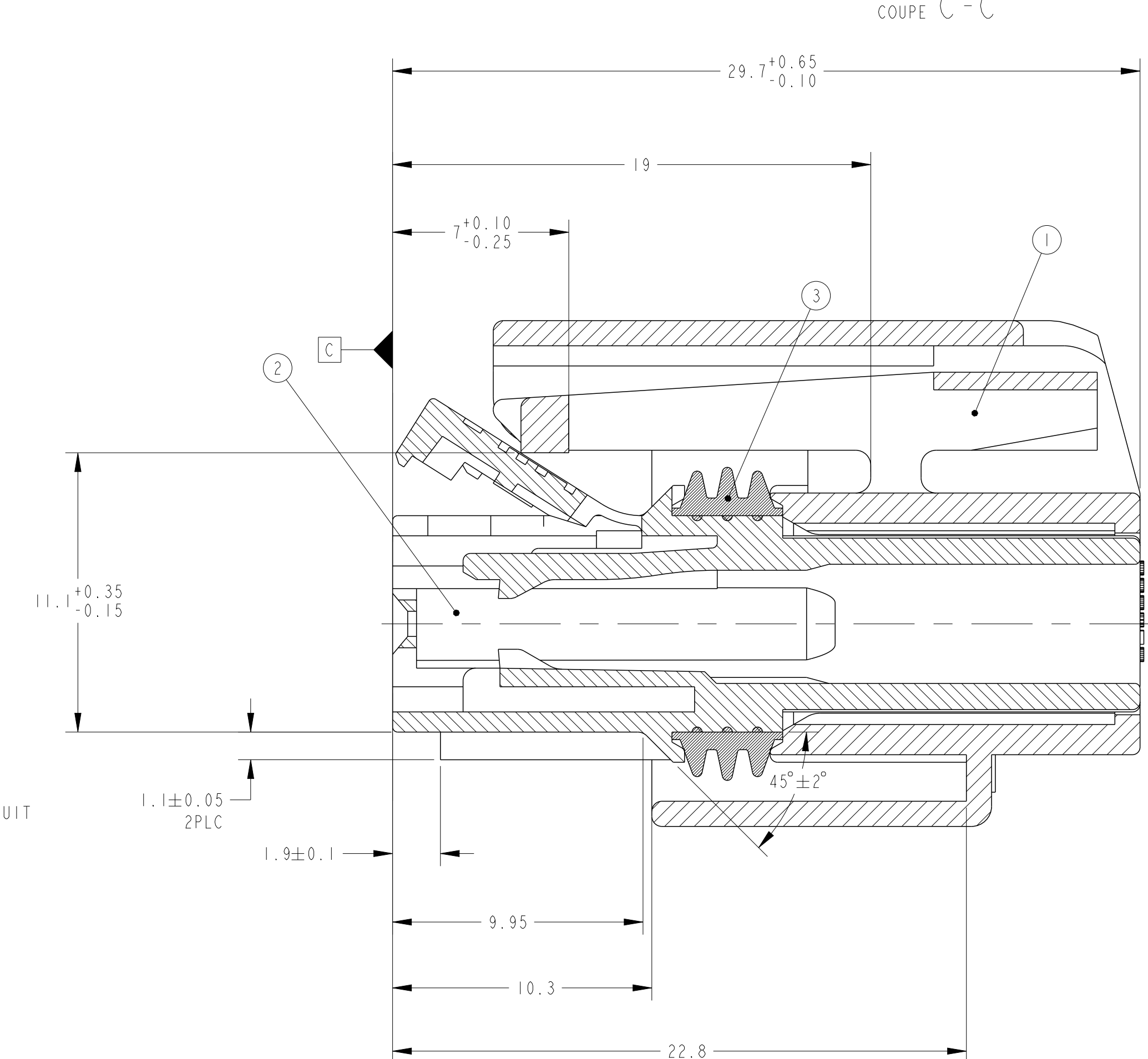
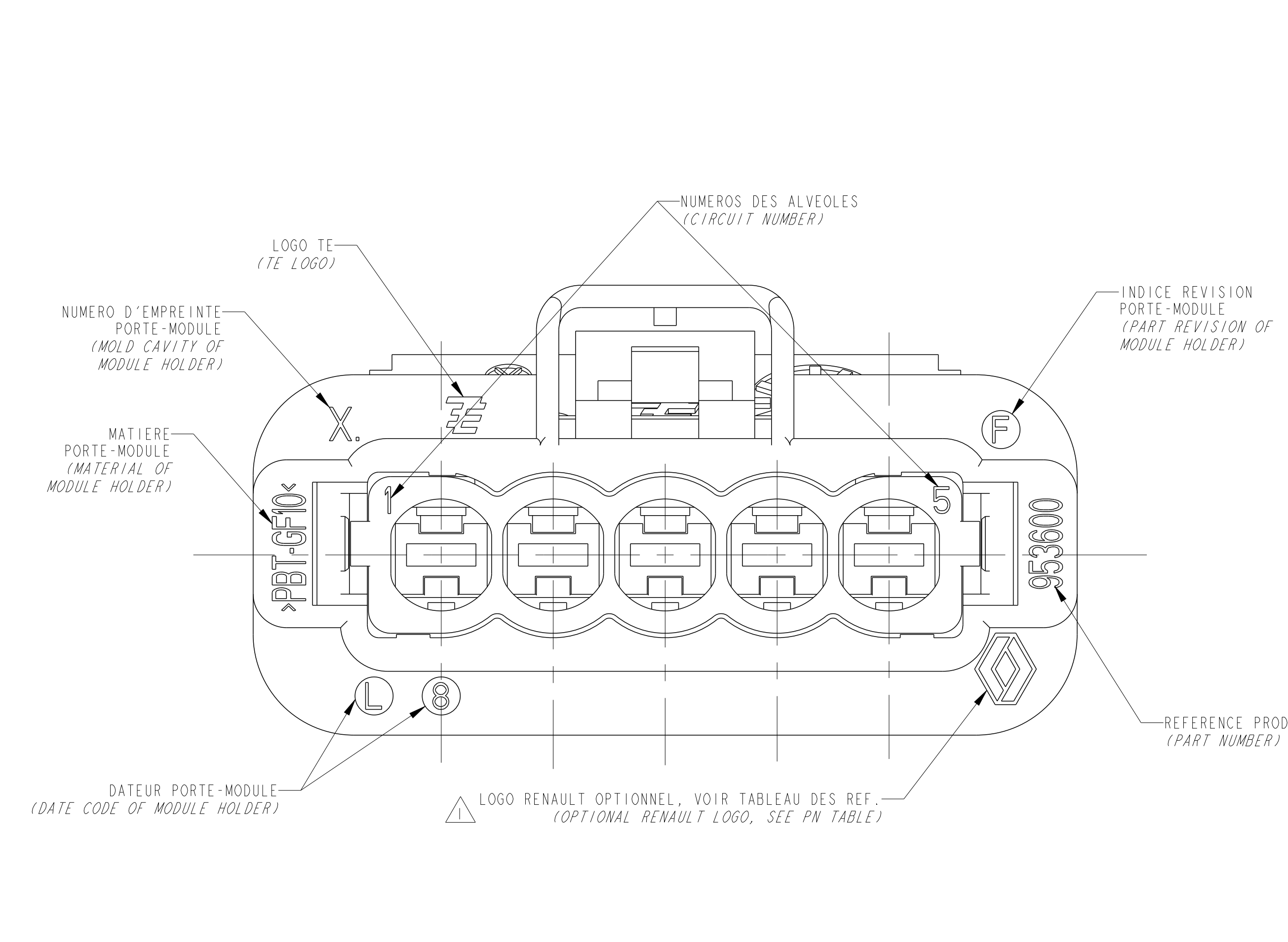
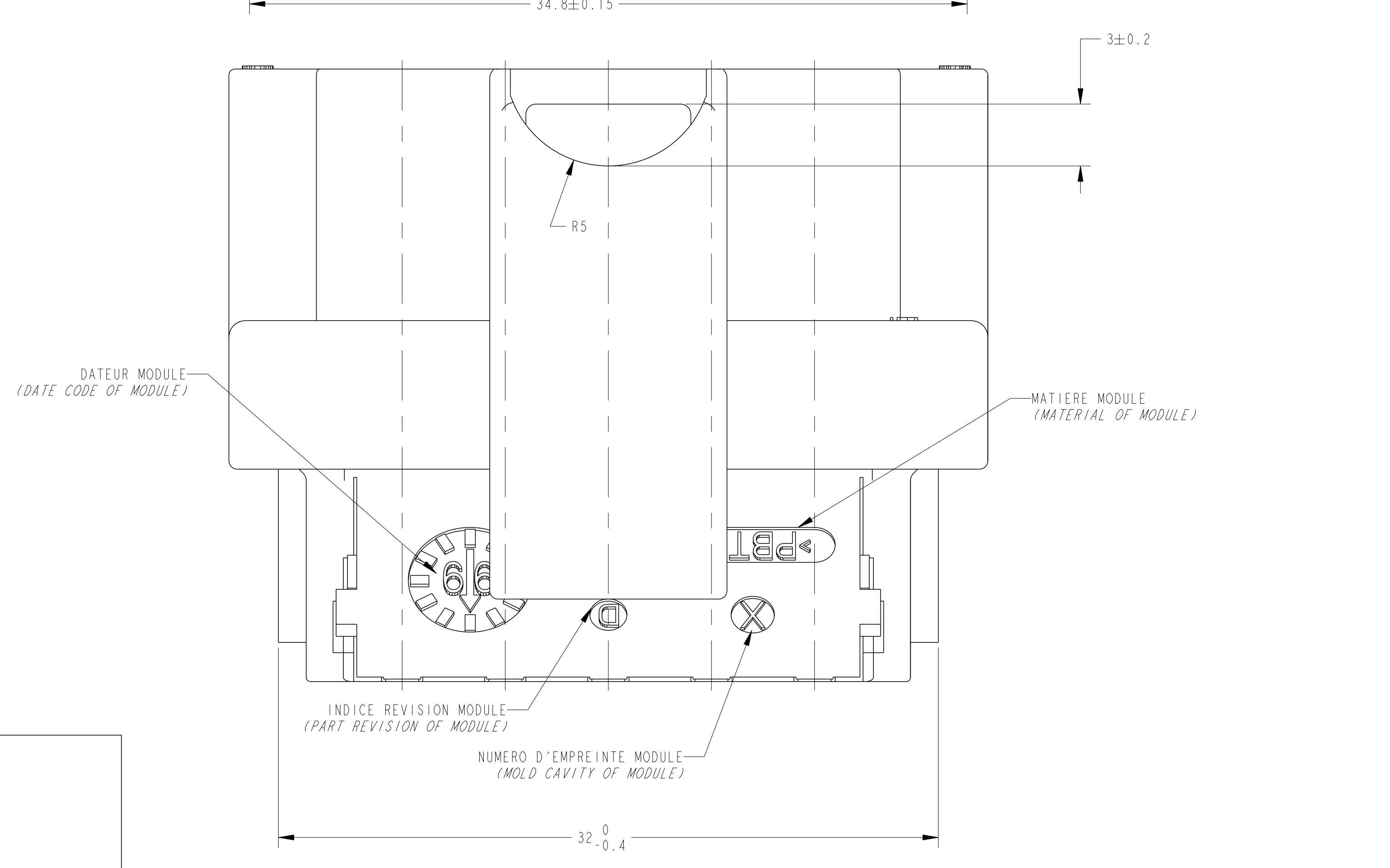
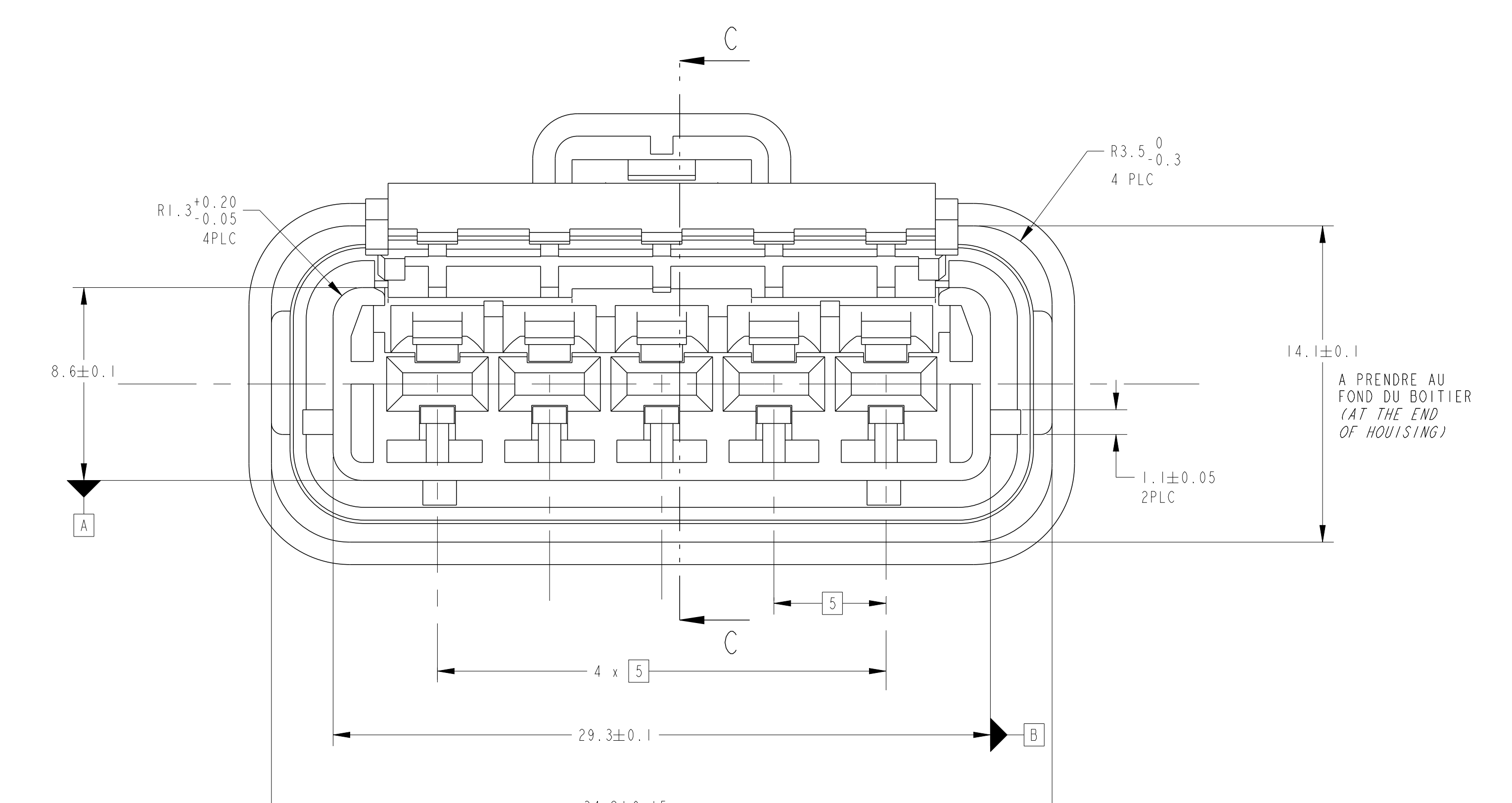


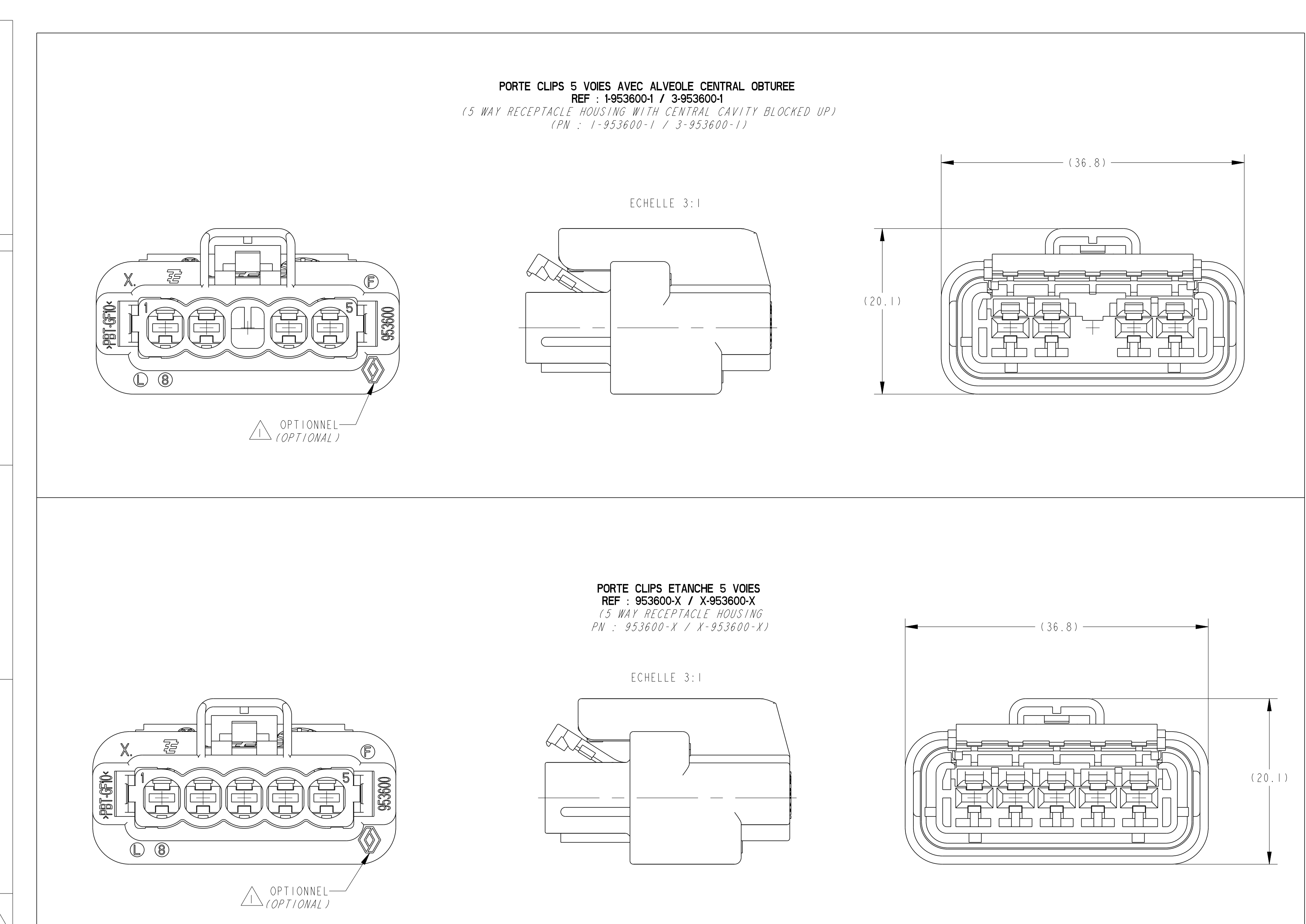
REVISIONS				
N°	DATE	DESCRIPTION	APPR.	APPR.
E	13/04/2014	MISE A JOUR COULEUR ORANGE DU JOINT	PB	JPP



REFERENCE MONTREE : 953600-1  
 (PART NUMBER AS SHOWN)



DETRAMPAGE (CODING)	OBSERVATION (DESCRIPTION)	COLOR (PORTE-MODULE / MODULE HOUSING)	REFERENCE TE (SANS LOGO RENAULT) (TE PN (WITHOUT RENAULT LOGO))	REFERENCE TE (AVEC LOGO RENAULT) (TE PN (WITH RENAULT LOGO))
1	PORTE CLIPS 5 VOIES (ALVEOLE CENTRALE OBSTRUEE) (5 WAY RCPT HSG (CAVITY CENTRAL BLOCKED UP))	NOIR / ORANGE (BLACK / ORANGE)	3-953600-1	1-953600-1
2	PORTE-CLIPS 5 VOIES (5 WAY RCPT HSG)	NOIR / GRIS (BLACK / GRAY)	2-953600-3	953600-3
3	PORTE-CLIPS 5 VOIES (5 WAY RCPT HSG)	NOIR / BLEU (BLACK / BLUE)	2-953600-2	953600-2
4	PORTE-CLIPS 5 VOIES (5 WAY RCPT HSG)	NOIR / NOIR (BLACK / BLACK)	2-953600-1	953600-1



CARACTERISTIQUES MECANIKES (MECHANICAL TEST)

EFFORT D'ACCROUPEMENT (MATING FORCE)	< 80 N
EFFORT DE DESACCROUPEMENT (UNMATING FORCE)	< 80 N
RETENTION DES CONTACTS (CONTACT RETENTION FORCE)	> 120 N

CARACTERISTIQUES GENERALES (GENERAL USAGE CONDITIONS)

CLASSE DE VIBRATION (VIBRATION CLASS)	1
CLASSE D'ETANCHEITE (SEALING CLASS)	2
CLASSE DE TEMPERATURE (TEMPERATURE CLASS)	2

COMPOSANTS ASSOCIES (COMPONENT ASSOCIATED)

P/N	DESIGNATION (DESCRIPTION)	QUANTITE (QTY)
828922-1	BOUCHON (PLUG)	3
	CLIP 2.8 Gamme 2 (RECEPTACLE 2.8 Range 2)	2
	CLIP 2.8 Gamme 2 (RECEPTACLE 2.8 Range 2)	2
	CLIP 2.8 Gamme 2 (RECEPTACLE 2.8 Range 2)	2
	CLIP 2.8 Gamme 1 DORE (RECEPTACLE 2.8 Range 1 GOLD PLATED)	1
	CLIP 2.8 Gamme 1 (RECEPTACLE 2.8 Range 1)	1
	CLIP 2.8 Gamme 1 (RECEPTACLE 2.8 Range 1)	1
	CLIP 2.8 Gamme 1 (RECEPTACLE 2.8 Range 1)	1
	CLIP 2.8 Gamme 1 (RECEPTACLE 2.8 Range 1)	1

VERSION SANS LOGO RENAULT (VERSION WITHOUT RENAULT LOGO) / VERSION AVEC LOGO RENAULT (VERSION WITH RENAULT LOGO)

ORANGE (ORANGE)	SILICONE (SILICON)	JOINT (SEAL)
ORANGE (ORANGE)	PBT (PBT)	MODULE 4 VOIES (Coding 1) (4 WAY MODULE Coding 1)
ORANGE (ORANGE)	PBT (PBT)	MODULE 5 VOIES (Coding 3) (5 WAY MODULE Coding 3)
GRIS (GRAY)	PBT (PBT)	MODULE 5 VOIES (Coding 2) (5 WAY MODULE Coding 2)
BLEU (BLUE)	PBT (PBT)	MODULE 5 VOIES (Coding 1) (5 WAY MODULE Coding 1)
NOIR (BLACK)	PBT (PBT)	MODULE 5 VOIES (Coding 1) (5 WAY MODULE Coding 1)
NOIR (BLACK)	PBT GF10X (PBT GF10X)	PORTE-MODULE (MODULE HOLDER)

OTE COMPOSANT (COMPONENT QTY)

X-953600-X	3	2	1	0
3-1-1	2-1-3	2-1-2	2-1-1	1-1-1
-3	-2	-1	-1	-1

CONFORME A LA SPECIFICATION D'INTERFACE 208-15581  
 (IN ACCORDANCE WITH INTERFACE SPECIFICATION 208-15581)

THIS DRAWING IS A CONTROLLED DOCUMENT.

REV. 1	DATE: 13/04/2014	APP. JPP	DESIGN: JPP
REV. 2	DATE: 13/04/2014	APP. P.B.	DESIGN: P.B.

TE Connectivity

PORTE CLIPS ETANCHE 5 VOIES  
 POUR CLIPS 2.8 x 0.8 mm  
 (4 OU 5 VOIES UTILES)

MATERIAL: PBT  
 FINISH: 411-15618  
 WEIGHT: 0.01Kg  
 CUSTOMER DRAWING

SCALE: 4:1