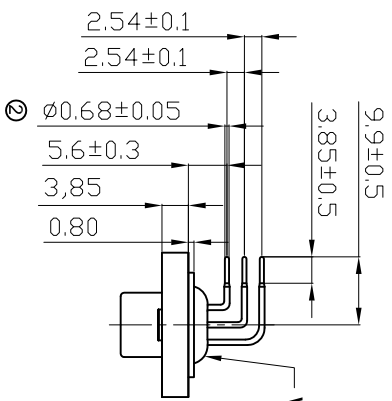
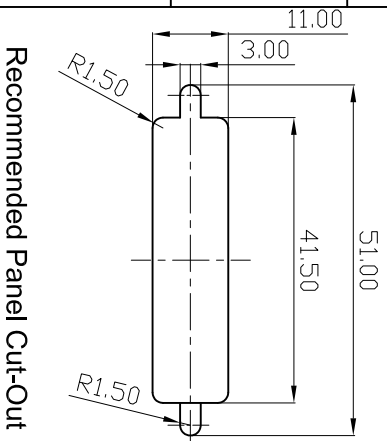


X(MAX.)

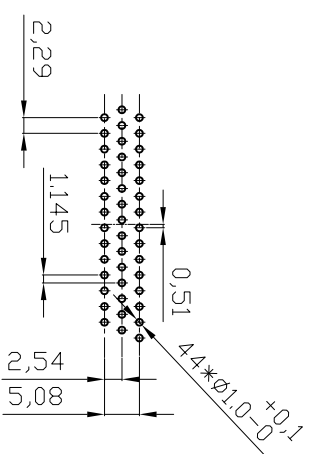
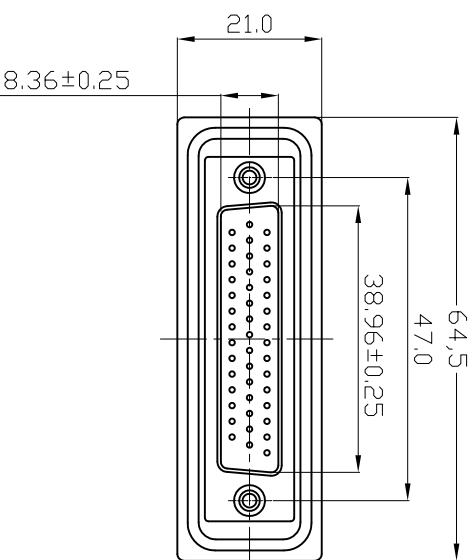
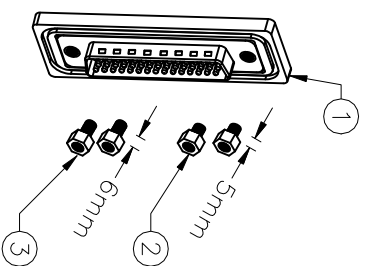
**Panel Thickness**  
Screw L=5.0 For Panel Thickness Under 1.2mm  
Screw L=6.0 For Panel Thickness Between 1.2-2.0mm



**NOTES:**

**MATERIAL**

1. Insulator Material: Black, NYLON+G/F
2. Contact Material : Copper Alloy
3. Plating : Gold Plating
4. Waterproof Rate: IP67
5. Do Mating Test After Glued



44 Pin Male Connector  
PCB Pin Layout

**RoHS compliant**

Scale	1:1						
TOLERANCE							
X.X	±0.25				Drawn	30.12.2008	JACK
X.XX	±0.10				Approved	25.01.2018	Amy
X.XXX	±0.05						
DIM	TOL	②	Cancel LOGO and change dimension	Tom			
ANGLE	±1°	①	Drawn	JACK			
X.X°	±X°						
Angle	TOL	Id.	Modification	Date	Name		

**ASSMANN**  
components

Customer-No.  
ASSMANN WSW-No.  
**A-HDS 44 AA-WP**

Drawing-No.  
**ASS 3286 CO**

Replace  
rev02  
Sheet

1 2 3 4 5 6 7

A B C D E F G H