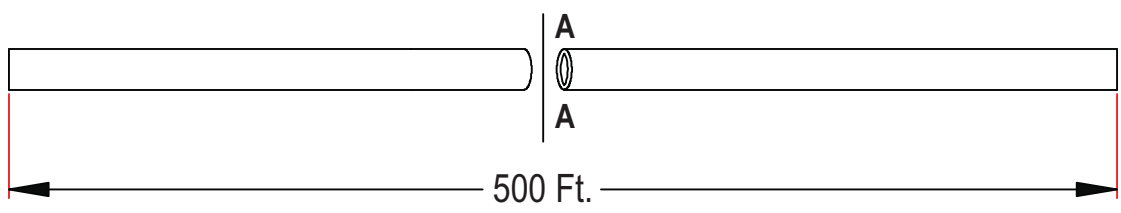


A A

B B



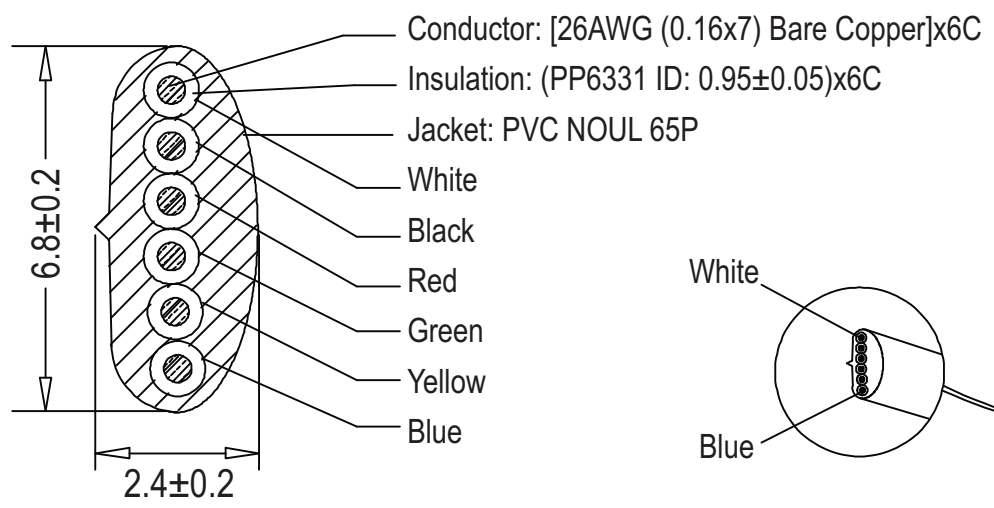
C C

D D

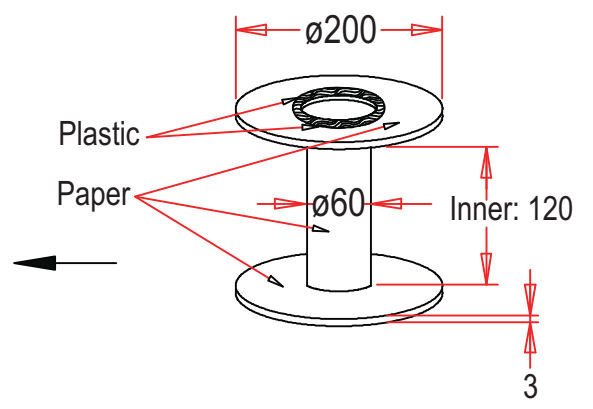
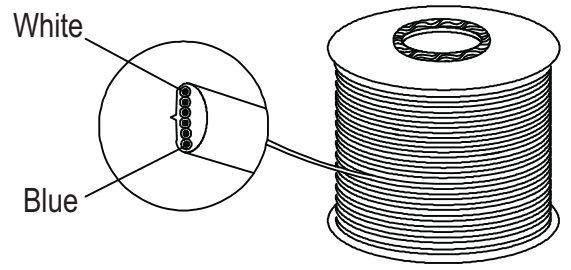
E E

F F

H H



Sec: A - A



500Ft/R. "PE" Foam Wrapped

Unit: MM

Scale	1:1					Name
TOLERANCE					Drawn	12.19.11
X.X	±0.40				Approved	Chappell
X.XX	±0.25					
X.XXX	±0.15					
Angle	±3°					
Modification			Date	Name		



Item No.		AT-K-26-6-W/500-R
Title		
Modular Straight cable - Raw, 6 Contact, 26AWG, White, 500Ft.		
Drawing No.		rev00
Replace	Sheet	