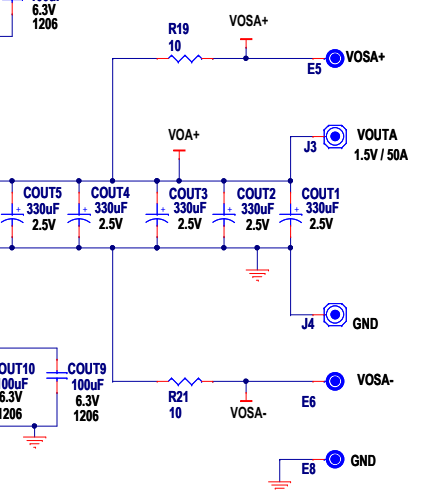
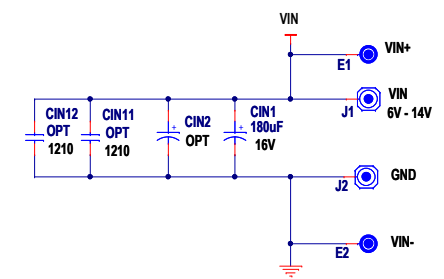
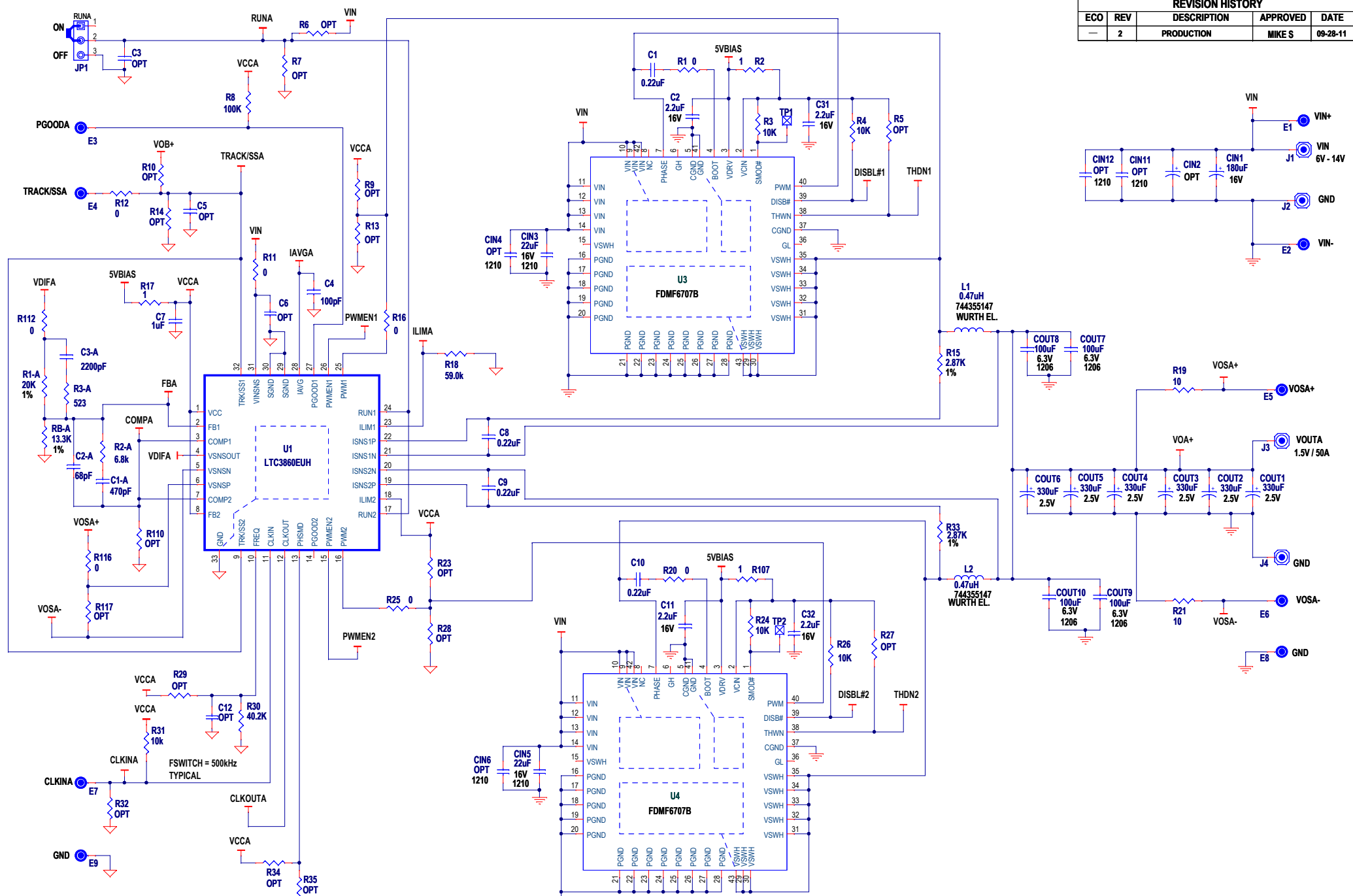


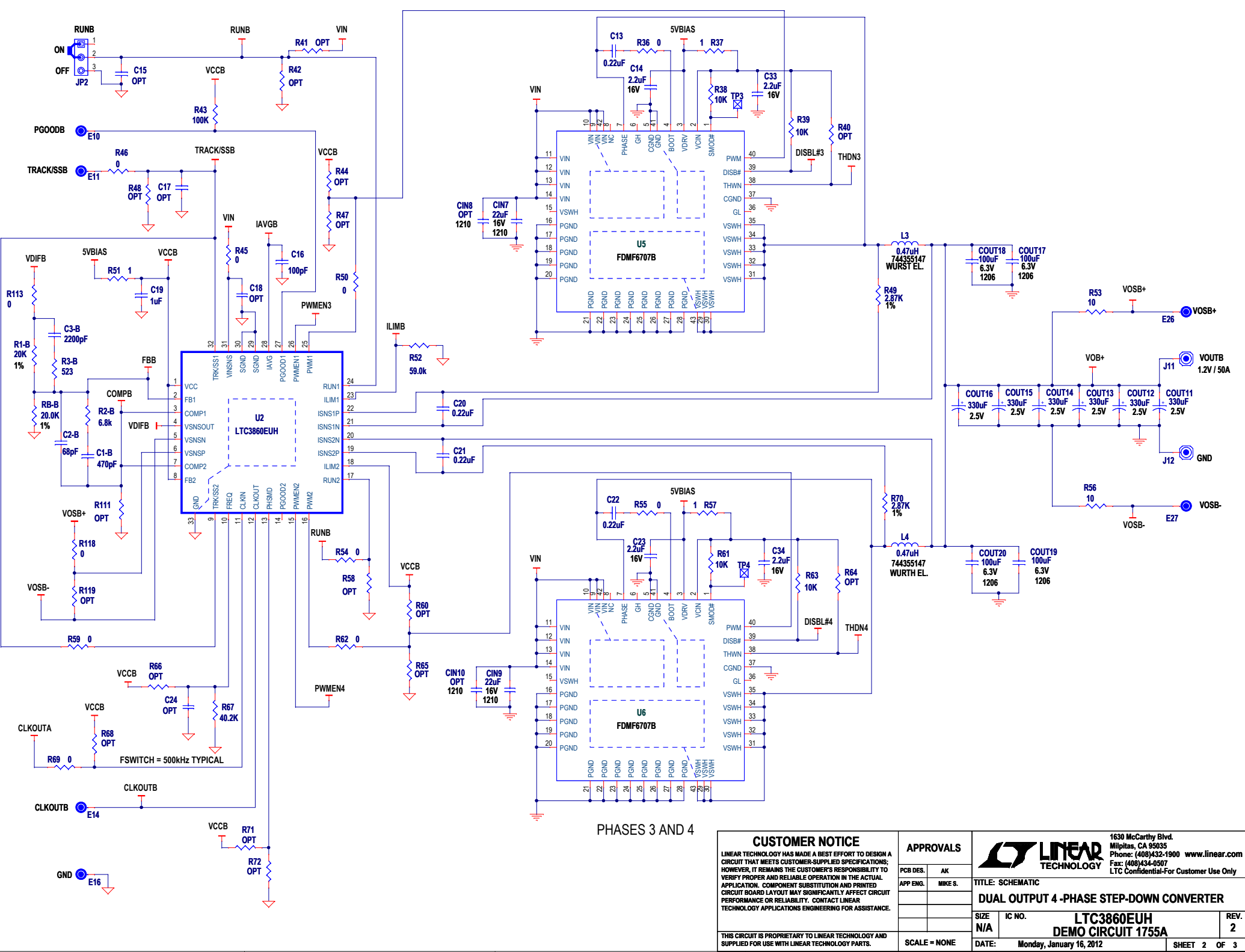
REVISION HISTORY				
ECO	REV	DESCRIPTION	APPROVED	DATE
—	2	PRODUCTION	MIKE S	09-28-11



PHASES 1 AND 2

CUSTOMER NOTICE		APPROVALS		TITLE: SCHEMATIC	
<p>LINEAR TECHNOLOGY HAS MADE A BEST EFFORT TO DESIGN A CIRCUIT THAT MEETS CUSTOMER-SUPPLIED SPECIFICATIONS; HOWEVER, IT REMAINS THE CUSTOMER'S RESPONSIBILITY TO VERIFY PROPER AND RELIABLE OPERATION IN THE ACTUAL APPLICATION. COMPONENT SUBSTITUTION AND PRINTED CIRCUIT BOARD LAYOUT MAY SIGNIFICANTLY AFFECT CIRCUIT PERFORMANCE OR RELIABILITY. CONTACT LINEAR TECHNOLOGY APPLICATIONS ENGINEERING FOR ASSISTANCE.</p>		PCB DES.	AK	<p>1630 McCarthy Blvd Milpitas, CA 95035 Phone: (408)432-1900 www.linear.com Fax: (408)434-0507 LTC Confidential-For Customer Use Only</p>	
		APP ENG.	MIKE S.	<p>DUAL OUTPUT 4-PHASE STEP-DOWN CONVERTER</p>	
		SCALE = NONE		<p>SIZE N/A IC NO. LTC3860EUH REV. 2</p>	
<p>THIS CIRCUIT IS PROPRIETARY TO LINEAR TECHNOLOGY AND SUPPLIED FOR USE WITH LINEAR TECHNOLOGY PARTS.</p>		DATE:	Monday, January 16, 2012	<p>DEMO CIRCUIT 1755A SHEET 1 OF 3</p>	

CAPACITORS AND RESISTORS ARE 0603 UNLESS OTHERWISE SPECIFIED.



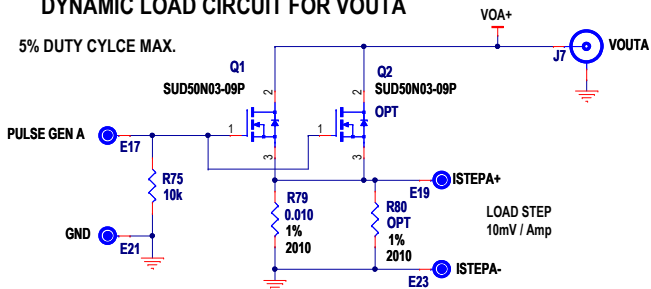
PHASES 3 AND 4

CUSTOMER NOTICE		APPROVALS		TITLE: SCHEMATIC	
<p>LINEAR TECHNOLOGY HAS MADE A BEST EFFORT TO DESIGN A CIRCUIT THAT MEETS CUSTOMER-SUPPLIED SPECIFICATIONS; HOWEVER, IT REMAINS THE CUSTOMER'S RESPONSIBILITY TO VERIFY PROPER AND RELIABLE OPERATION IN THE ACTUAL APPLICATION. COMPONENT SUBSTITUTION AND PRINTED CIRCUIT BOARD LAYOUT MAY SIGNIFICANTLY AFFECT CIRCUIT PERFORMANCE OR RELIABILITY. CONTACT LINEAR TECHNOLOGY APPLICATIONS ENGINEERING FOR ASSISTANCE.</p>		PCB DES.	AK	<p>1630 McCarthy Blvd Milpitas, CA 95035 Phone: (408)432-1900 www.linear.com Fax: (408)434-0507 LTC Confidential-For Customer Use Only</p>	
		APP ENG.	MIKE S.	<p>DUAL OUTPUT 4 -PHASE STEP-DOWN CONVERTER</p>	
				SIZE	IC NO.
				N/A	LTC3860EUH
				<p>REV. 2</p>	
				<p>SCALE = NONE</p>	
				DATE:	Monday, January 16, 2012
				<p>SHEET 2 OF 3</p>	

THIS CIRCUIT IS PROPRIETARY TO LINEAR TECHNOLOGY AND SUPPLIED FOR USE WITH LINEAR TECHNOLOGY PARTS.

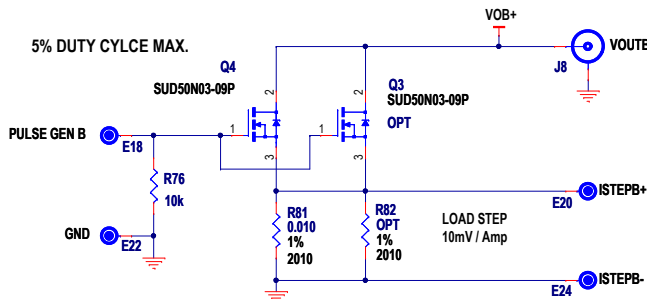
### DYNAMIC LOAD CIRCUIT FOR VOUTA

5% DUTY CYCLE MAX.

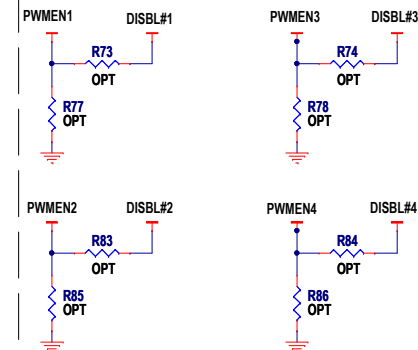


### DYNAMIC LOAD CIRCUIT FOR VOUTB

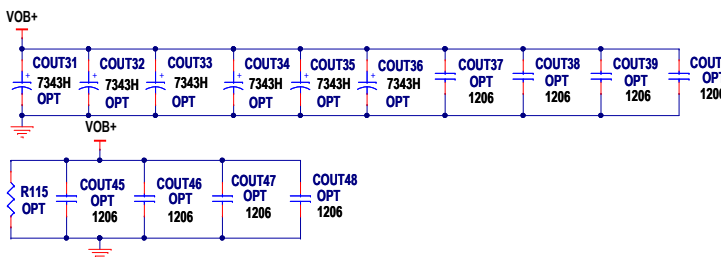
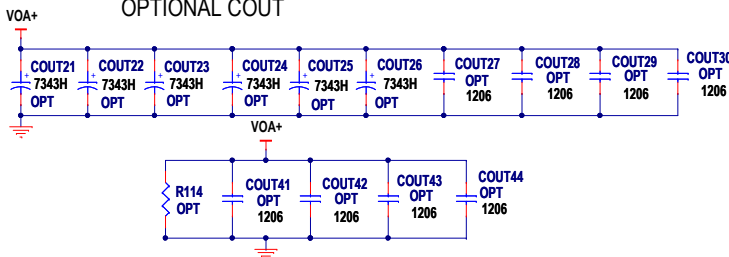
5% DUTY CYCLE MAX.



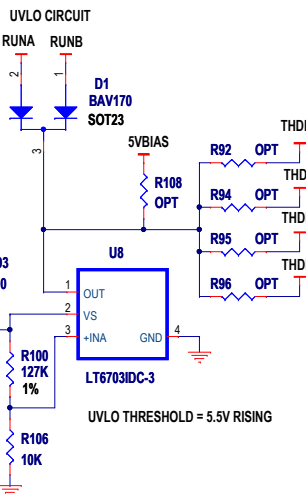
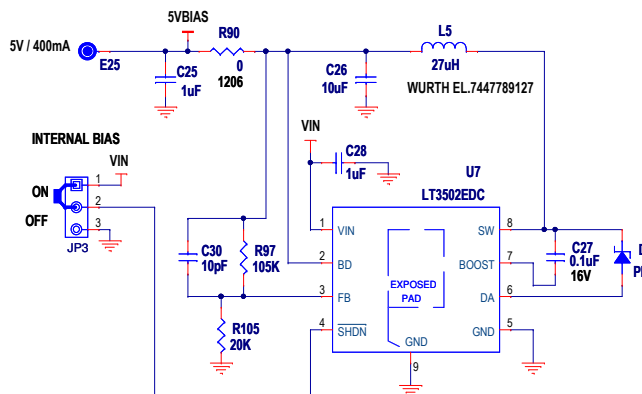
### PWM ENABLE CIRCUIT FOR NON-THREE STATE COMPATIBLE DRMOS



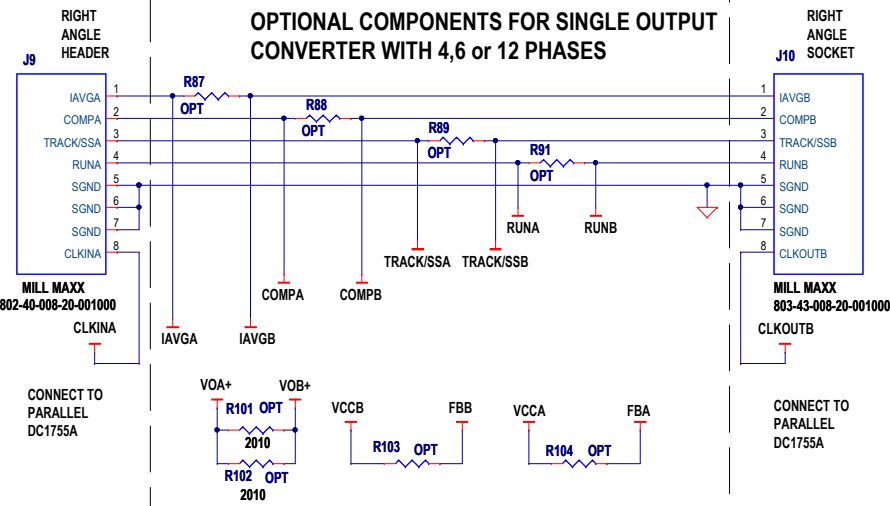
### OPTIONAL COUT



### BIA SUPPLY & UVLO CIRCUIT



### OPTIONAL COMPONENTS FOR SINGLE OUTPUT CONVERTER WITH 4,6 or 12 PHASES



### CUSTOMER NOTICE

LINEAR TECHNOLOGY HAS MADE A BEST EFFORT TO DESIGN A CIRCUIT THAT MEETS CUSTOMER-SUPPLIED SPECIFICATIONS; HOWEVER, IT REMAINS THE CUSTOMER'S RESPONSIBILITY TO VERIFY PROPER AND RELIABLE OPERATION IN THE ACTUAL APPLICATION. COMPONENT SUBSTITUTION AND PRINTED CIRCUIT BOARD LAYOUT MAY SIGNIFICANTLY AFFECT CIRCUIT PERFORMANCE OR RELIABILITY. CONTACT LINEAR TECHNOLOGY APPLICATIONS ENGINEERING FOR ASSISTANCE.

THIS CIRCUIT IS PROPRIETARY TO LINEAR TECHNOLOGY AND SUPPLIED FOR USE WITH LINEAR TECHNOLOGY PARTS.

### APPROVALS

PCB DES. AK  
APP ENG. MIKE S.

SCALE = NONE



1630 McCarthy Blvd  
Milpitas, CA 95035  
Phone: (408)432-1900 www.linear.com  
Fax: (408)434-0507  
LTC Confidential-For Customer Use Only

TITLE: SCHEMATIC

DUAL OUTPUT 4-PHASE STEP-DOWN CONVERTER

SIZE N/A IC NO. LTC3860EUH  
DEMO CIRCUIT 1755A

DATE: Monday, January 16, 2012

REV. 2

SHEET 3 OF 3