

preliminary

# Schottky Diode Gen<sup>2</sup>

$$V_{RRM} = 200\text{ V}$$

$$I_{FAV} = 2 \times 65\text{ A}$$

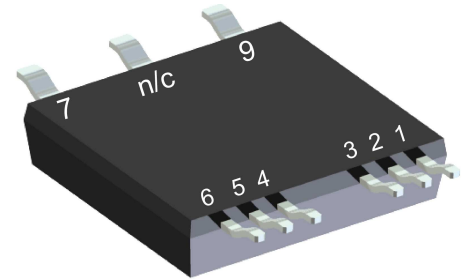
$$V_F = 0.82\text{ V}$$

High Performance Schottky Diode  
 Low Loss and Soft Recovery  
 Parallel legs

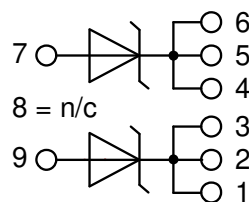
Part number

**DSA120X200LB**

Marking on Product: *DSA120X200LB*



Backside: isolated

 E72873


### Features / Advantages:

- Very low  $V_f$
- Extremely low switching losses
- Low  $I_{rm}$  values
- Improved thermal behaviour
- High reliability circuit operation
- Low voltage peaks for reduced protection circuits
- Low noise switching

### Applications:

- Rectifiers in switch mode power supplies (SMPS)
- Free wheeling diode in low voltage converters

### Package: SMPD

- Isolation Voltage: 3000 V~
- Industry convenient outline
- RoHS compliant
- Epoxy meets UL 94V-0
- Soldering pins for PCB mounting
- Backside: DCB ceramic
- Reduced weight
- Advanced power cycling

### Disclaimer Notice

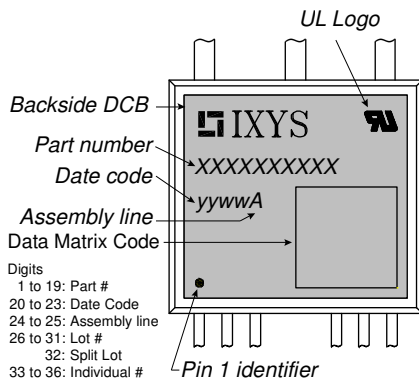
Information furnished is believed to be accurate and reliable. However, users should independently evaluate the suitability of and test each product selected for their own applications. Littelfuse products are not designed for, and may not be used in, all applications. Read complete Disclaimer Notice at [www.littelfuse.com/disclaimer-electronics](http://www.littelfuse.com/disclaimer-electronics).



Schottky				Ratings			
Symbol	Definition	Conditions		min.	typ.	max.	Unit
$V_{RSM}$	max. non-repetitive reverse blocking voltage					200	V
$V_{RRM}$	max. repetitive reverse blocking voltage					200	V
$I_R$	reverse current, drain current	$V_R = 200\text{ V}$		$T_{VJ} = 25^\circ\text{C}$		1	mA
		$V_R = 200\text{ V}$		$T_{VJ} = 125^\circ\text{C}$		5	mA
$V_F$	forward voltage drop	$I_F = 60\text{ A}$		$T_{VJ} = 25^\circ\text{C}$		0.98	V
		$I_F = 120\text{ A}$				1.22	V
		$I_F = 60\text{ A}$		$T_{VJ} = 150^\circ\text{C}$		0.82	V
		$I_F = 120\text{ A}$				1.10	V
$I_{FAV}$	average forward current	$T_C = 130^\circ\text{C}$		$T_{VJ} = 175^\circ\text{C}$		65	A
		rectangular	$d = 0.5$				
$V_{F0}$	threshold voltage			$T_{VJ} = 175^\circ\text{C}$		0.51	V
$r_F$	slope resistance	} for power loss calculation only				2.7	mΩ
$R_{thJC}$	thermal resistance junction to case					0.8	K/W
$R_{thCH}$	thermal resistance case to heatsink				0.40		K/W
$P_{tot}$	total power dissipation			$T_C = 25^\circ\text{C}$		185	W
$I_{FSM}$	max. forward surge current	$t = 10\text{ ms}; (50\text{ Hz}), \text{ sine}; V_R = 0\text{ V}$		$T_{VJ} = 45^\circ\text{C}$		700	A
$C_J$	junction capacitance	$V_R = 24\text{ V}$	$f = 1\text{ MHz}$	$T_{VJ} = 25^\circ\text{C}$		394	pF



Package SMPD		Ratings				
Symbol	Definition	Conditions	min.	typ.	max.	Unit
$I_{RMS}$	RMS current	per terminal			100	A
$T_{VJ}$	virtual junction temperature		-55		175	°C
$T_{op}$	operation temperature		-55		150	°C
$T_{stg}$	storage temperature		-55		150	°C
<b>Weight</b>				8.5		g
$F_C$	mounting force with clip		40		130	N
$d_{Spp/ App}$	creepage distance on surface / striking distance through air	terminal to terminal	1.6			mm
$d_{Spb/ Apb}$		terminal to backside	4.0			mm
$V_{ISOL}$	isolation voltage	t = 1 second	3000			V
		t = 1 minute	2500			V



**Part description**

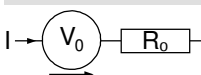
- D = Diode
- S = Schottky Diode
- A = low VF
- 120 = Current Rating [A]
- X = Parallel legs
- 200 = Reverse Voltage [V]
- LB = SMPD-B

Ordering	Ordering Number	Marking on Product	Delivery Mode	Quantity	Code No.
Standard	DSA120X200LB-TUB	DSA120X200LB	Tube	20	524773
Alternative	DSA120X200LB-TRR	DSA120X200LB	Tape & Reel	200	523115

**Equivalent Circuits for Simulation**

\* on die level

$T_{VJ} = 175\text{ °C}$



Schottky

$V_{0\ max}$	threshold voltage	0.51	V
$R_{0\ max}$	slope resistance *	2.7	mΩ

