



PRODUCT CHANGE NOTIFICATION

ISOMOV™ HYBRID PROTECTION COMPONENTS

REVISED JUNE 20, 2022



Select Bourns® IsoMOV™ Hybrid Protection Components Tape Packaging Dimension & MOQ/MULT Changes

Riverside, California – June 16, 2022 – In the spirit of continuous improvement, effective May 27, 2022, Bourns changed the tape packaging specifications for select [IsoMOV™ Hybrid Protection Components](#). The reel core diameter has been increased to enhance the reel stability when fully loaded. The component pitch (R), while mounted in the carton carrier, has been updated, keeping the nominal dimension and increasing the tolerance symmetrically. In this same line, the carton carrier sticky tape has been changed from a single wider version tape to a thinner double tape. Finally, select part number Minimum Order Quantities (MOQ) and Multiples (MULT) have been updated for better accommodation in the new reel design. A list of affected part numbers is included below.

Affected Part Numbers – Tape Packaging Specifications

IsoM3-175-R-Lx	IsoM5-175-R-Lx	IsoM5-380-R-Lx
IsoM3-230-R-Lx	IsoM5-230-R-Lx	IsoM5-420-R-Lx
IsoM3-250-R-Lx	IsoM5-250-R-Lx	IsoM5-510-R-Lx
IsoM3-275-R-Lx	IsoM5-275-R-Lx	IsoM5-555-R-Lx
IsoM3-300-R-Lx	IsoM5-300-R-Lx	
IsoM3-320-R-Lx	IsoM5-320-R-Lx	

Affected Part Numbers - Change in MOQ/MULT

	Previous MOQ	Previous MULT	New MOQ	New MULT
IsoM5-175-R-L2	10000	400	10000	500
IsoM5-380-R-L2	9900	300	10000	400

Users should verify that the described changes will not impact the performance of the product in their specific applications.

GDT2213

These changes have no impact on the form, fit, function, quality or reliability of the affected products. There is no change to the electrical characteristics of the products. The product marking and label will remain unchanged.

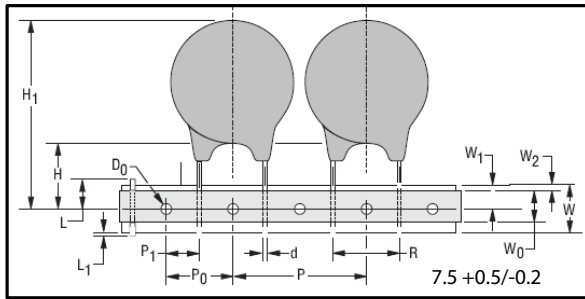
Implementation dates are as follows:

First shipping date of the new model design: **June 6, 2022**

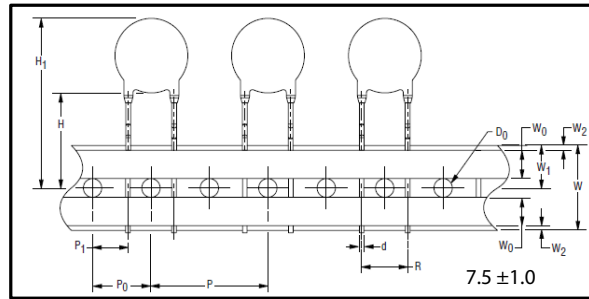
Last day of manufacturing of the current model design: **May 27, 2022**

First date code for the new model design: **0622**

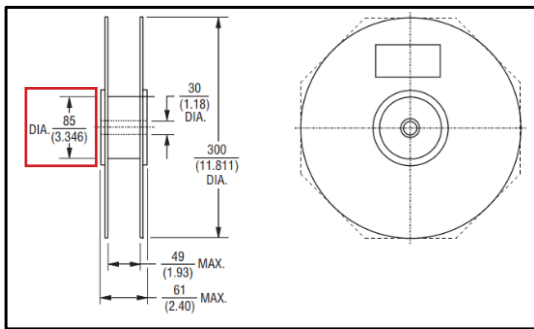
Carton carrier pitch and sticky tape (BEFORE)



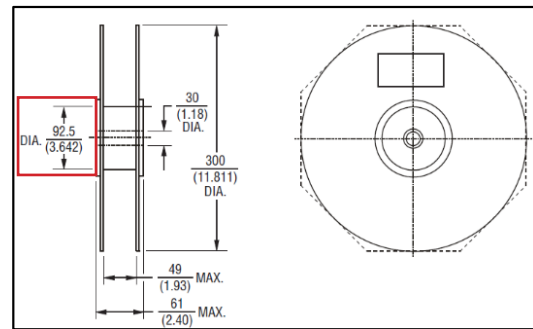
Carton carrier pitch and sticky tape (AFTER)



Reel hub diameter (BEFORE)



Reel hub diameter (AFTER)



Tape packaging quantity (BEFORE)

Voltage	Model		
	IsoM3	IsoM5	IsoM8
175	500	400	
230			
250			
275			
300			
320	400	300	
380			
420			
510			
555			

Tape packaging quantity (AFTER)

Voltage	Model		
	IsoM3	IsoM5	IsoM8
175	500	500	
230			
250			
275			
300			
320	400	400	
380			
420			
510			
555			