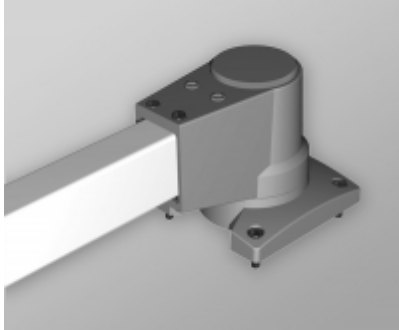




Quality Products. Service Excellence.

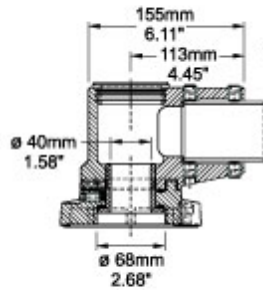
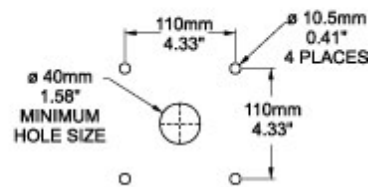
Tara Plus Socket Joint *TPSSSJ Series*



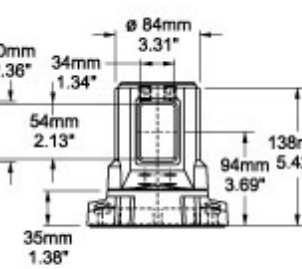
- Accepts 60x40mm rectangular tube parallel to its mounting surface.
- Die-cast Aluminum G Al Si 12.
- Integrated movement stop.
- Service free bearings.
- Rotates 300°.
- Adjustment screws (red screws).
- Accessible from the top.



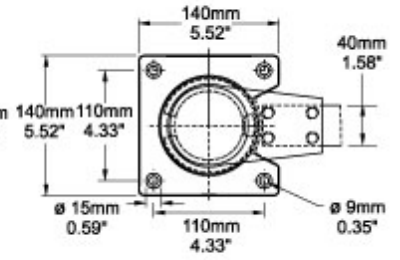
Hole Pattern



Front Section Socket Joint



End View



TopView

Part No.	R149-005-000
----------	--------------

Tags: TPSS, tara plus, taraplus, suspension system, socket, joint, rectangular, operator

Data subject to change without notice

© 2023. Hammond Manufacturing Ltd. All rights reserved.