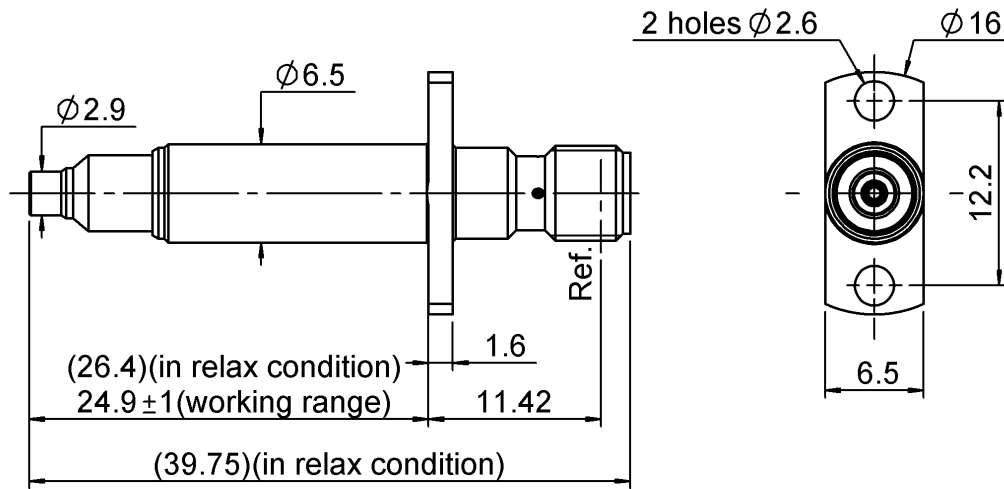
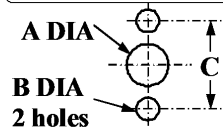


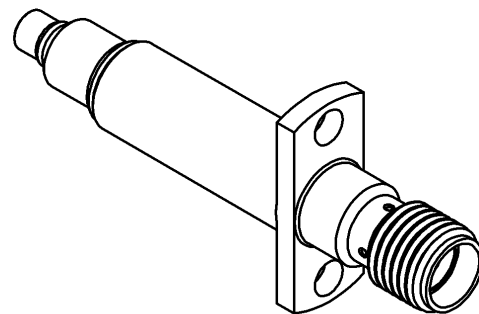
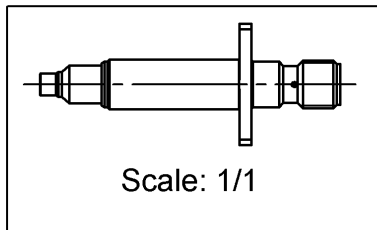
| | | | |
|----------|-------------|--------------|------------------------|
| PAGE 1/3 | ISSUE 1344A | SERIES ADAPT | PART NUMBER R191844800 |
|----------|-------------|--------------|------------------------|



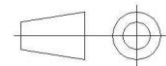
PANEL CUT OUT



| | mm | |
|---|-------|-------|
| | Maxi | mini |
| A | 6.8 | 6.75 |
| B | 2.7 | 2.6 |
| C | 12.25 | 12.15 |



All dimensions are in mm.



| COMPONENTS | MATERIALS | PLATING (µm) |
|----------------|--------------------------------|-------------------------------|
| Body | BRASS | GOLD OVER NICKEL, NPGR |
| Center contact | BERYLLIUM COPPER, BRASS | GOLD OVER NICKEL, NPGR |
| Outer contact | | |
| Insulator | PTFE | |
| Gasket | | |
| Others parts | STAINLESS STEEL | |
| - | - | - |
| - | - | - |

| | | | |
|-----------------|--------------------|---------------------|-------------------------------|
| PAGE 2/3 | ISSUE 1344A | SERIES ADAPT | PART NUMBER R191844800 |
|-----------------|--------------------|---------------------|-------------------------------|

PACKAGING

| Standard | Unit | Other |
|----------|-------------------|-------------------|
| 1 | Contact us | Contact us |

ELECTRICAL CHARACTERISTICS

| | | | |
|---------------------------------|-------------|--------------|----------------------------|
| Impedance | | 50 | Ω |
| Frequency | | 0-15 | GHz |
| VSWR | 1.05 | + | 0.045 x F(GHz) Maxi |
| Insertion loss | | 0.15* | \sqrt{F} (GHz) dB Maxi |
| RF leakage | | NA | - F(GHz) dB Maxi |
| Voltage rating | | NA | Veff Maxi |
| Dielectric withstanding voltage | | NA | Veff mini |
| Insulation resistance | | 5000 | M Ω mini |

ENVIRONMENTAL

| | | |
|---------------|----------------|--------------------|
| Operating | -40/+80 | $^{\circ}\text{C}$ |
| Hermetic seal | NA | Atm.cm3/s |
| Panel leakage | NA | |

MECHANICAL CHARACTERISTICS

| | | | |
|----------------------------|--|---------------|-------------|
| Center contact retention | | | |
| Axial force – Mating End | | NA** | N mini |
| Axial force – Opposite end | | NA | N mini |
| Torque | | NA | N.cm mini |
| Recommended torque | | | |
| Mating | | 0 | N.cm |
| | | 0 | N.cm |
| | | 0 | N.cm |
| Panel nut | | | N.cm |
| Mating life | | 100000 | Cycles mini |
| Weight | | 6.300 | g |

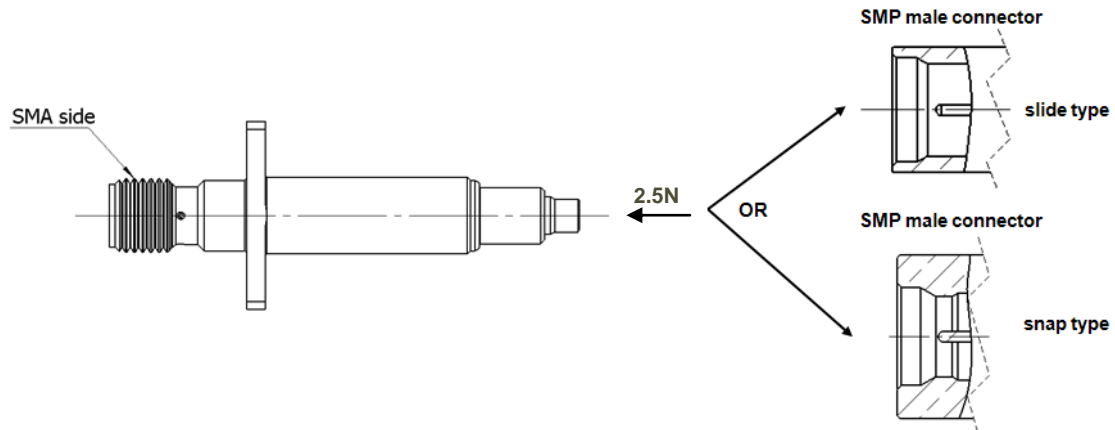
SPECIFICATION

OTHER CHARACTERISTICS

***Coaxial Transmission Line Only**
****Action mating force for the spring : 6N max**

| | | | |
|----------|-------------|--------------|------------------------|
| PAGE 3/3 | ISSUE 1344A | SERIES ADAPT | PART NUMBER R191844800 |
|----------|-------------|--------------|------------------------|

INSTRUCTION FOR USE



1. Connect the SMA side of the adapter with the measurement test equipment.
2. Mate the SMP connector with the adapter by pushing the SMP connector with a minimum force of 2.5N.