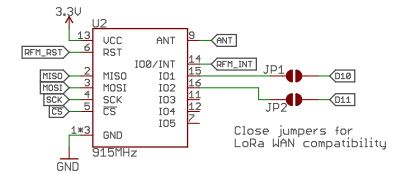
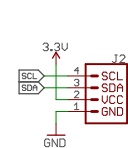
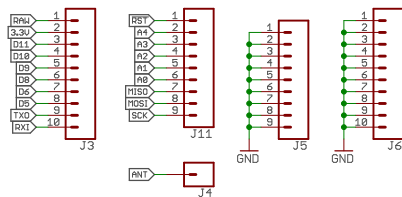
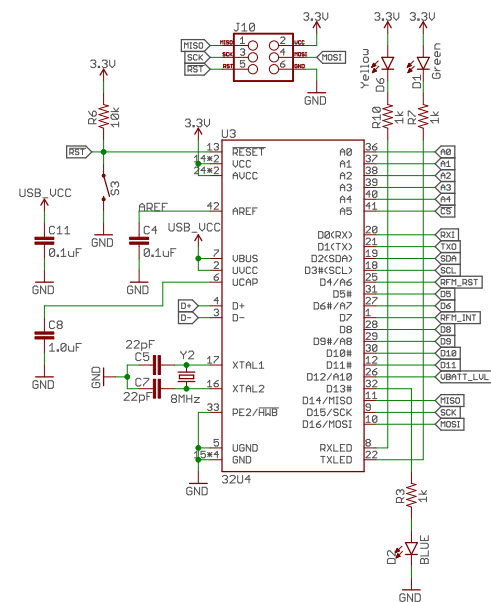
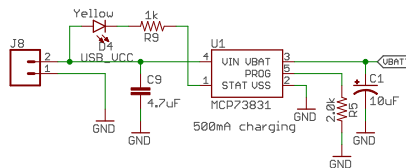
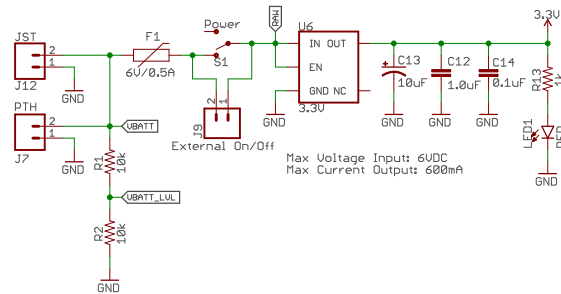


Cut this jumper if powering the board with more than 5.5V



Released under the Creative Commons Attribution Share-Alike 4.0 License https://creativecommons.org/licenses/by-sa/4.0/	
TITLE: Pro_RF	Special Instructions
Design by:	REV:
Date: not saved!	Sheet: 1/1