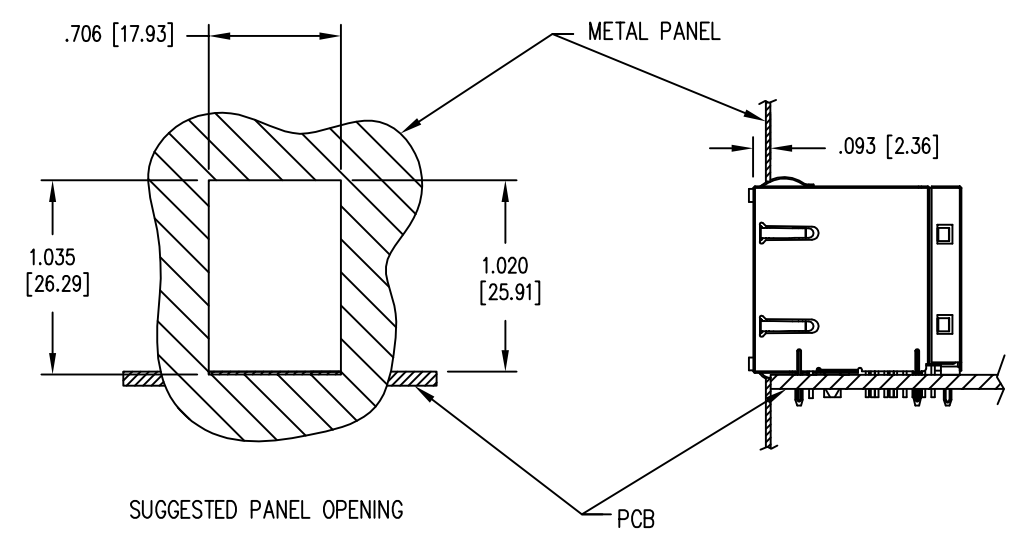
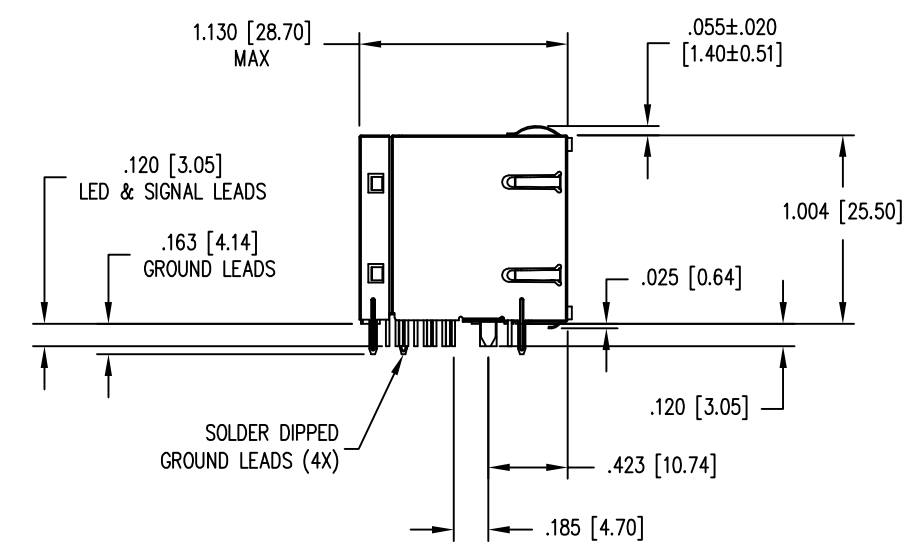
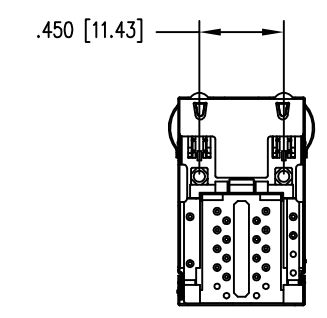
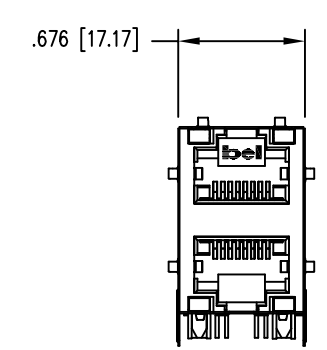
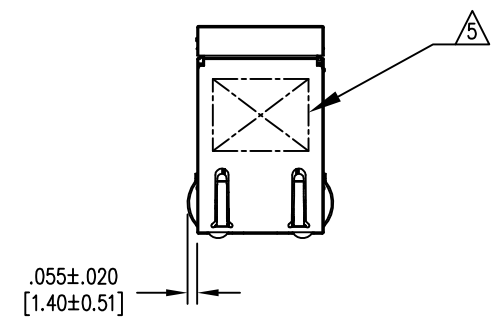


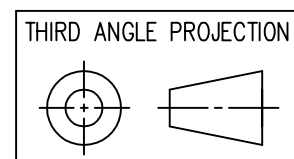
DATE	REV	ECN	APP'D. BY
2-4-16	A0	10528	ADB
3-16-16	A1	10618	TRM
7-19-16	A2	10720	ADB
9-14-16	A3	10758	ADB



NOTES:

- CONNECTOR MATERIALS:  
HOUSING: THERMOPLASTIC UL94 V-0  
CONTACTS/SHIELD: COPPER ALLOY  
SHIELD PLATING: NICKEL OR "REFLOW" TIN  
CONTACT PLATING: SELECTIVE GOLD OR EQUIVALENT IN THE CONTACT AREA  
SEE CHART FOR PART NUMBER
  - FOR PRODUCT SPECIFICATIONS SEE PR022-01.
  - DIMENSIONS AND TOLERANCES COMPLY WITH TIA-1096 STANDARD.
  - THE SUGGESTED PANEL OPENING IS INTENDED TO GIVE USER THE ABILITY TO HAVE REASONABLE JACK/PANEL CLEARANCES, YET MAINTAIN GROUNDING CAPABILITY. THESE VARIABLES CAN BE ADJUSTED IN EITHER DIRECTION BUT MAY CARRY SOME CONSEQUENCES IN THE FORM OF LOWER MATING FORCES OR TIGHTER ASSEMBLY TOLERANCES.
- △ MARK PART WITH MFG LOGO, MFG NAME, PART NUMBER, AND DATE CODE.

50 MICRO-INCHES [1.27um]	SS-74500-029
CONTACT PLATING IN MATING AREA	PART NUMBER



1118 Susquehanna Trail South  
Glen Rock, PA 17327-9199  
(717) 235-7512  
<http://www.stewartconnector.com>

DO NOT SCALE DRAWING  
DRAWING IS SUBJECT TO CHANGE WITHOUT NOTICE

TITLE: 2X1 SHIELDED STACKJACK WITH YELLOW/GREEN UPPER AND LOWER LEADS

DIMENSIONS: INCHES [METRIC]  
UNLESS OTHERWISE SPECIFIED TOLERANCES ARE ±.010 [0.25] ANGLES ARE ± 1°

THIS DRAWING AND THE SUBJECT MATTER SHOWN THEREON ARE CONFIDENTIAL AND THE PROPRIETARY PROPERTY OF STEWART CONNECTOR AND SHALL NOT BE REPRODUCED, COPIED, OR USED IN ANY MANNER WITHOUT PRIOR WRITTEN CONSENT OF STEWART CONNECTOR. ONE OR MORE U.S. PATENTS MAY APPLY TO THIS PRODUCT. FOR DETAILS, PLEASE VISIT: [HTTP://BELFUSE.COM/STEWART/STEWART\\_PATENTS/](http://BELFUSE.COM/STEWART/STEWART_PATENTS/)

DRN BY:	ADB	DATE	1-19-16
APPD BY:	DHG	DATE	1-19-16
DWG NO.	CT740227	REV.	A3

SHEET NO. 1 OF 3



LED INFORMATION

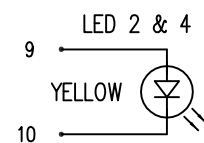
LED 2 & 4 POLARITY			LED 1 & 3 POLARITY		
PIN 9	PIN 10	COLOR	PIN 11	PIN 12	COLOR
+	-	YELLOW	+	-	GREEN

LED 1 & 3

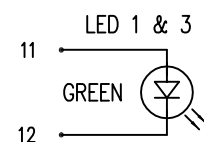
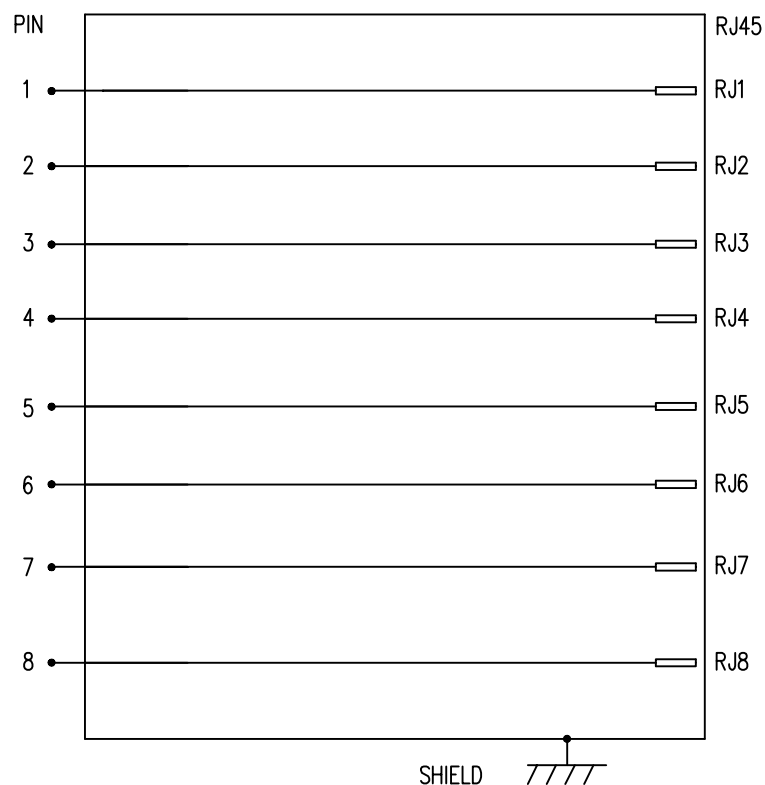
VF (FORWARD VOLTAGE) IF=20mA GREEN 2.2V TYP.  
 λD (DOMINANT WAVELENGTH) IF=20mA GREEN 570nm TYP.

LED 2 & 4

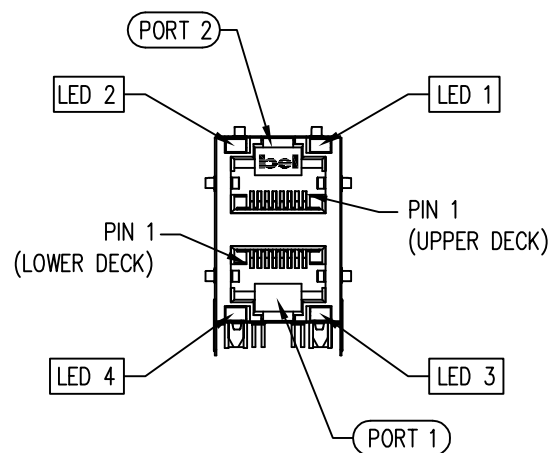
VF (FORWARD VOLTAGE) IF=20mA YELLOW 2.1V TYP.  
 λD (DOMINANT WAVELENGTH) IF=20mA YELLOW 590nm TYP.



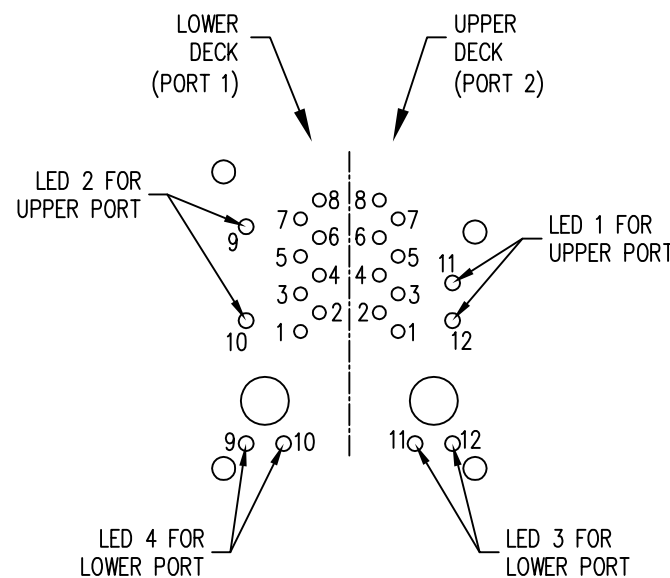
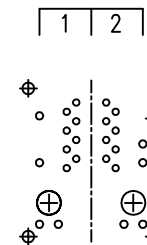
SCHMATIC



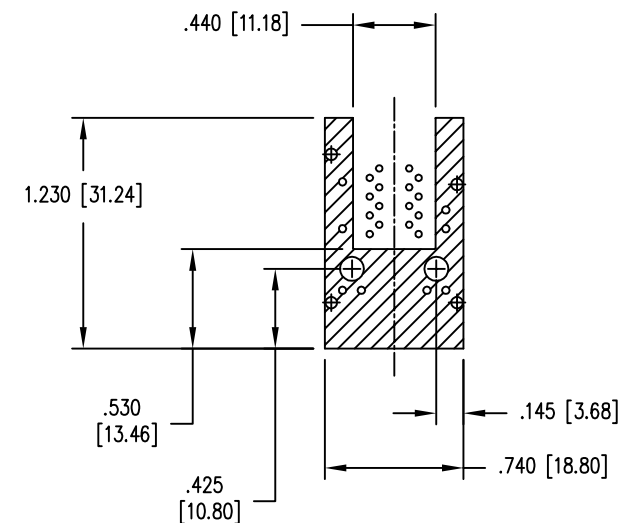
PORT ASSIGNMENT  
(FRONT VIEW OF JACK)



PORT ASSIGNMENT  
(PCB - COMPONENT SIDE VIEW)



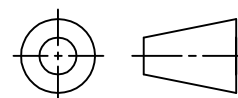
PIN-OUT INFORMATION  
(PCB - COMPONENT SIDE VIEW)



THE SHADED AREA ON THE CUSTOMER BOARD IS RECOMMENDED TO BE CLEAR OFF ANY VIA HOLE OR COMPONENT PAD.



THIRD ANGLE PROJECTION



1118 Susquehanna Trail South  
 Glen Rock, PA 17327-9199  
 (717) 235-7512

<http://www.stewartconnector.com>

DO NOT SCALE DRAWING  
 DRAWING IS SUBJECT TO  
 CHANGE WITHOUT NOTICE

TITLE: 2X1 SHIELDED STACKJACK  
 WITH YELLOW/GREEN UPPER AND LOWER LEDS

DIMENSIONS: INCHES [METRIC]  
 UNLESS OTHERWISE SPECIFIED  
 TOLERANCES ARE ±.010 [0.25]  
 ANGLES ARE ± 1°

THIS DRAWING AND THE SUBJECT MATTER SHOWN THEREON ARE CONFIDENTIAL AND THE PROPRIETARY PROPERTY OF STEWART CONNECTOR AND SHALL NOT BE REPRODUCED, COPIED, OR USED IN ANY MANNER WITHOUT PRIOR WRITTEN CONSENT OF STEWART CONNECTOR. ONE OR MORE U.S. PATENTS MAY APPLY TO THIS PRODUCT. FOR DETAILS, PLEASE VISIT: [HTTP://BELFUSE.COM/STEWART/STEWART\\_PATENTS/](http://BELFUSE.COM/STEWART/STEWART_PATENTS/)

DRN BY:	ADB	DATE	1-19-16
APPD BY:	DHG	DATE	1-19-16
DWG NO.	CT740227	REV.	A3

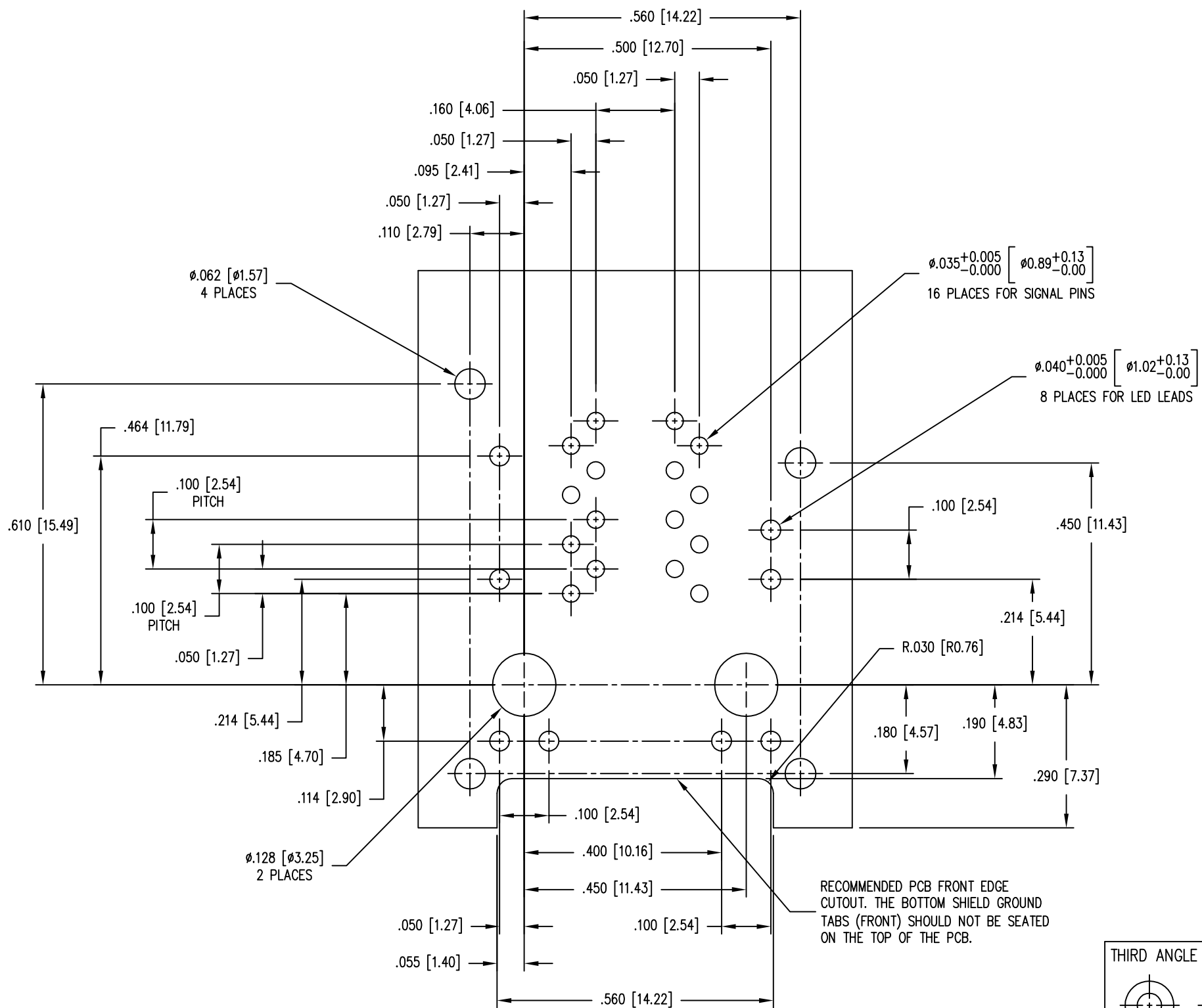
SHEET NO. 2 OF 3

B

B

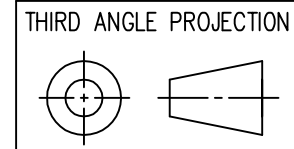
A

A



RECOMMENDED PCB FRONT EDGE CUTOUT. THE BOTTOM SHIELD GROUND TABS (FRONT) SHOULD NOT BE SEATED ON THE TOP OF THE PCB.

P.C.B. RECOMMENDED HOLE LAYOUT  
(COMPONENT SIDE VIEW - SCALE 4:1)  
ALL CENTERLINE DIMENSIONS ARE BASIC.  
ALL HOLE POSITIONS ARE  $\phi \pm 0.006$  [0.15]



1118 Susquehanna Trail South  
Glen Rock, PA 17327-9199  
(717) 235-7512  
<http://www.stewartconnector.com>

DO NOT SCALE DRAWING  
DRAWING IS SUBJECT TO CHANGE WITHOUT NOTICE

DIMENSIONS: INCHES [METRIC]

UNLESS OTHERWISE SPECIFIED  
TOLERANCES ARE  $\pm 0.010$  [0.25]  
ANGLES ARE  $\pm 1^\circ$

SHEET NO. 3 OF 3

TITLE: 2X1 SHIELDED STACKJACK  
WITH YELLOW/GREEN UPPER AND LOWER LEADS

THIS DRAWING AND THE SUBJECT MATTER SHOWN THEREON ARE CONFIDENTIAL AND THE PROPRIETARY PROPERTY OF STEWART CONNECTOR AND SHALL NOT BE REPRODUCED, COPIED, OR USED IN ANY MANNER WITHOUT PRIOR WRITTEN CONSENT OF STEWART CONNECTOR. ONE OR MORE U.S. PATENTS MAY APPLY TO THIS PRODUCT. FOR DETAILS, PLEASE VISIT: [HTTP://BELFUSE.COM/STEWART/STEWART\\_PATENTS/](http://BELFUSE.COM/STEWART/STEWART_PATENTS/)

DRN BY:	ADB	DATE	1-19-16
APPD BY:	DHG	DATE	1-19-16
DWG NO.	CT740227	REV.	A3