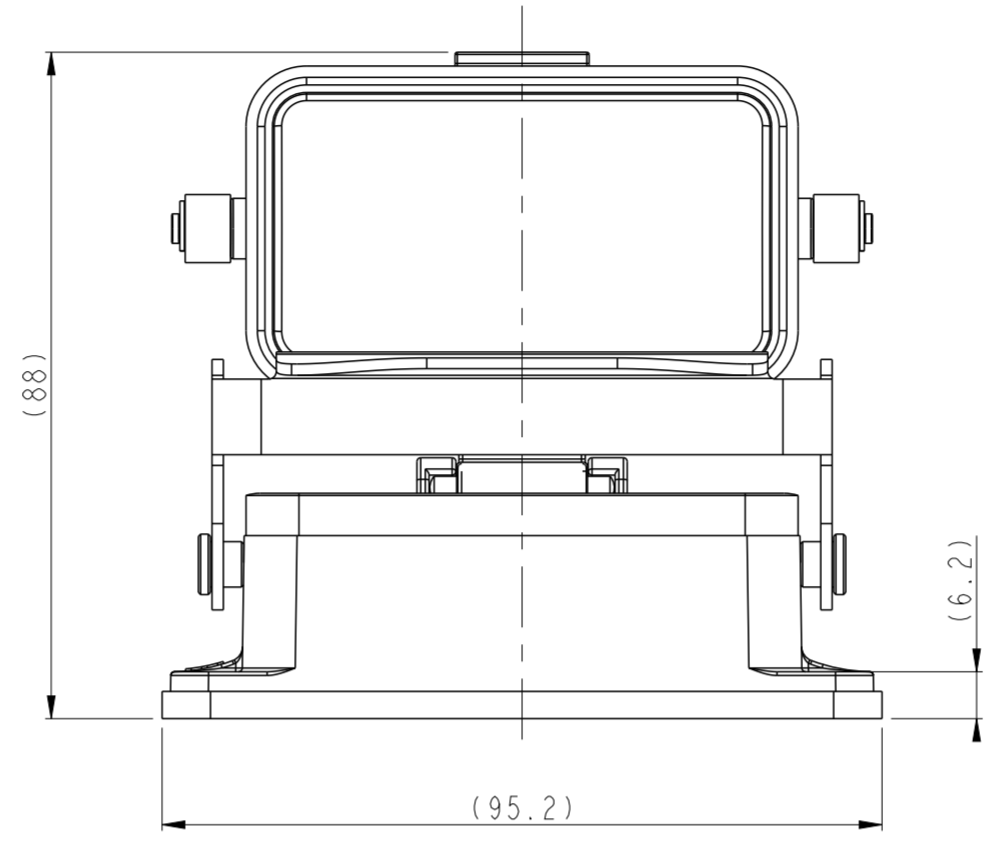
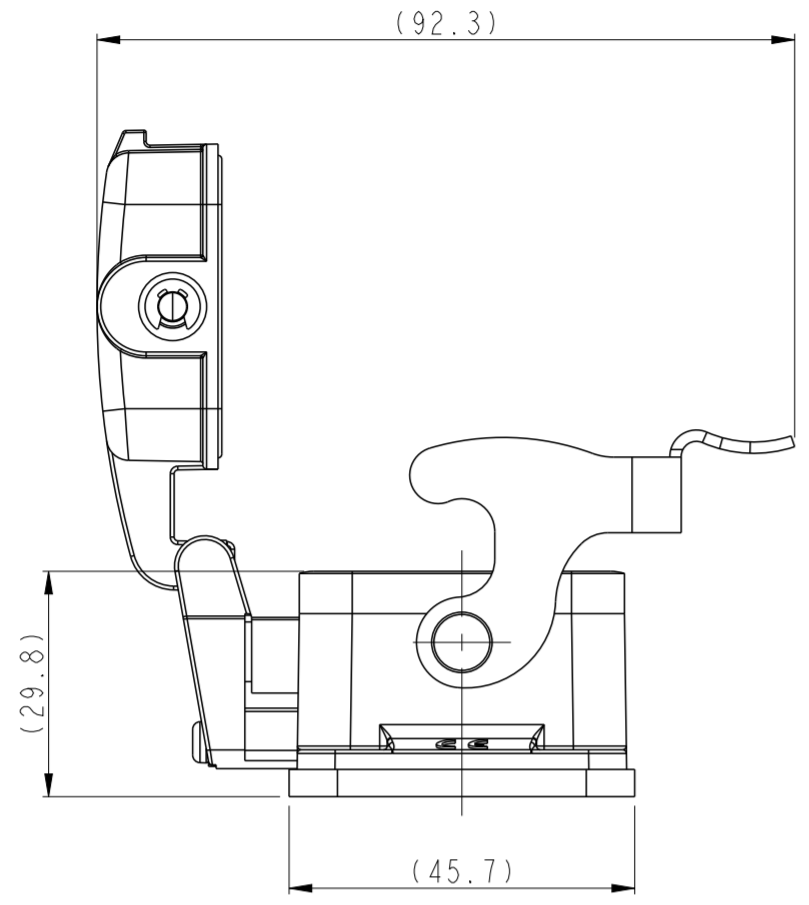


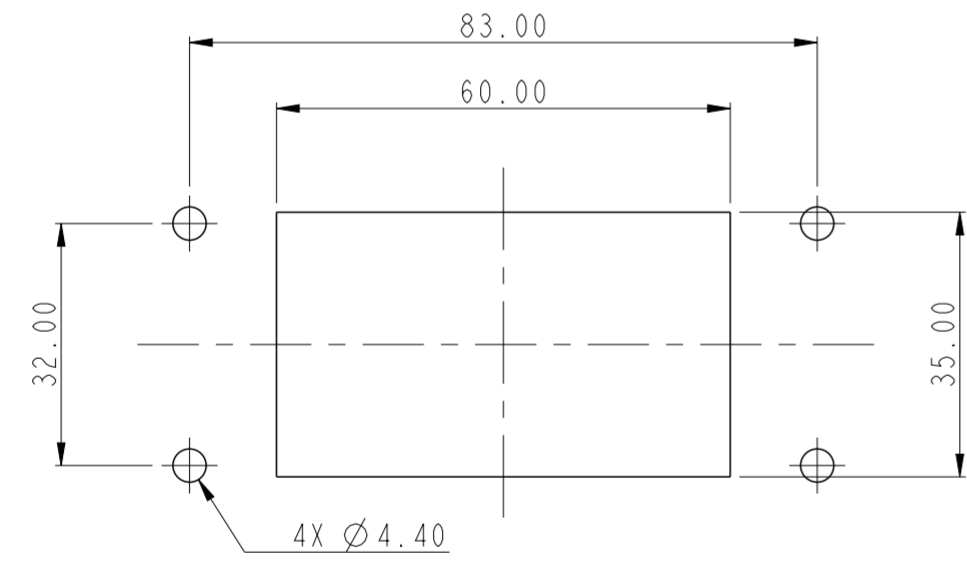
THIS DRAWING IS UNPUBLISHED. RELEASED FOR PUBLICATION 20
 © COPYRIGHT 20 BY - ALL RIGHTS RESERVED.

REVISIONS					
P	LTR	DESCRIPTION	DATE	DWN	APVD
	A	INITIAL	25JUN2015	DW	CW
	AI	ECR-17-010989	03AUG2017	CH	CW
	B	ECR-20-008181	13JUL2020	WOR	CW

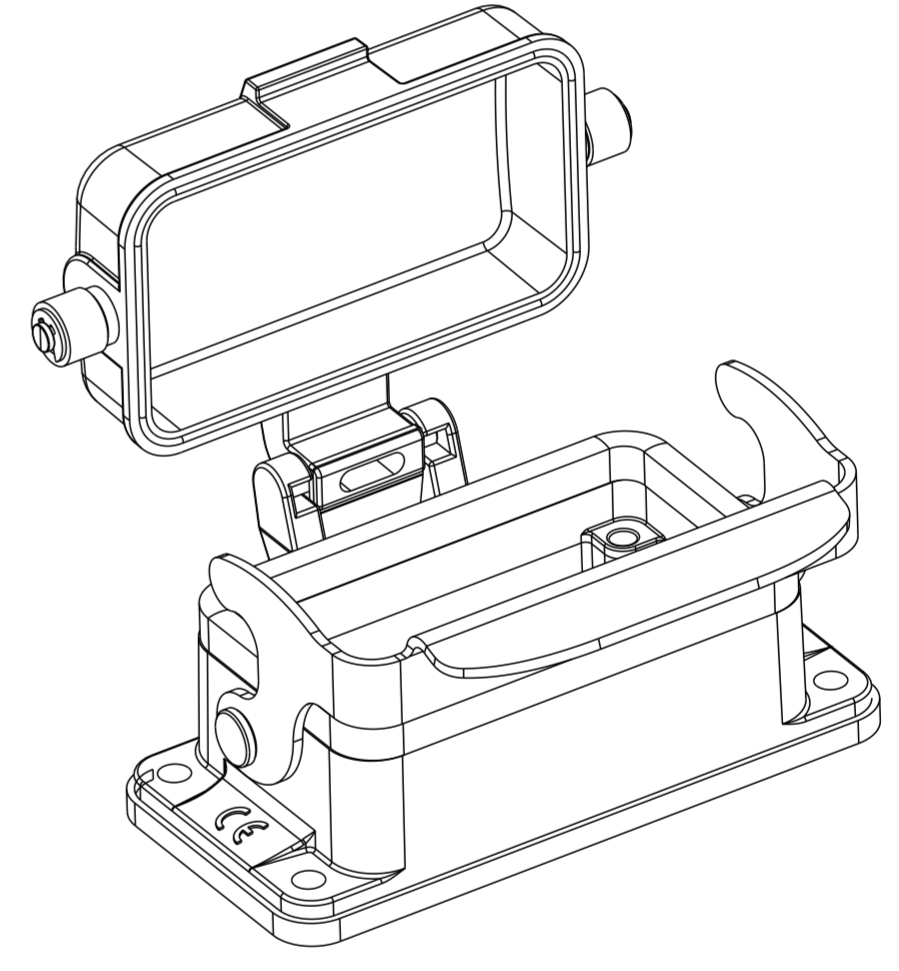
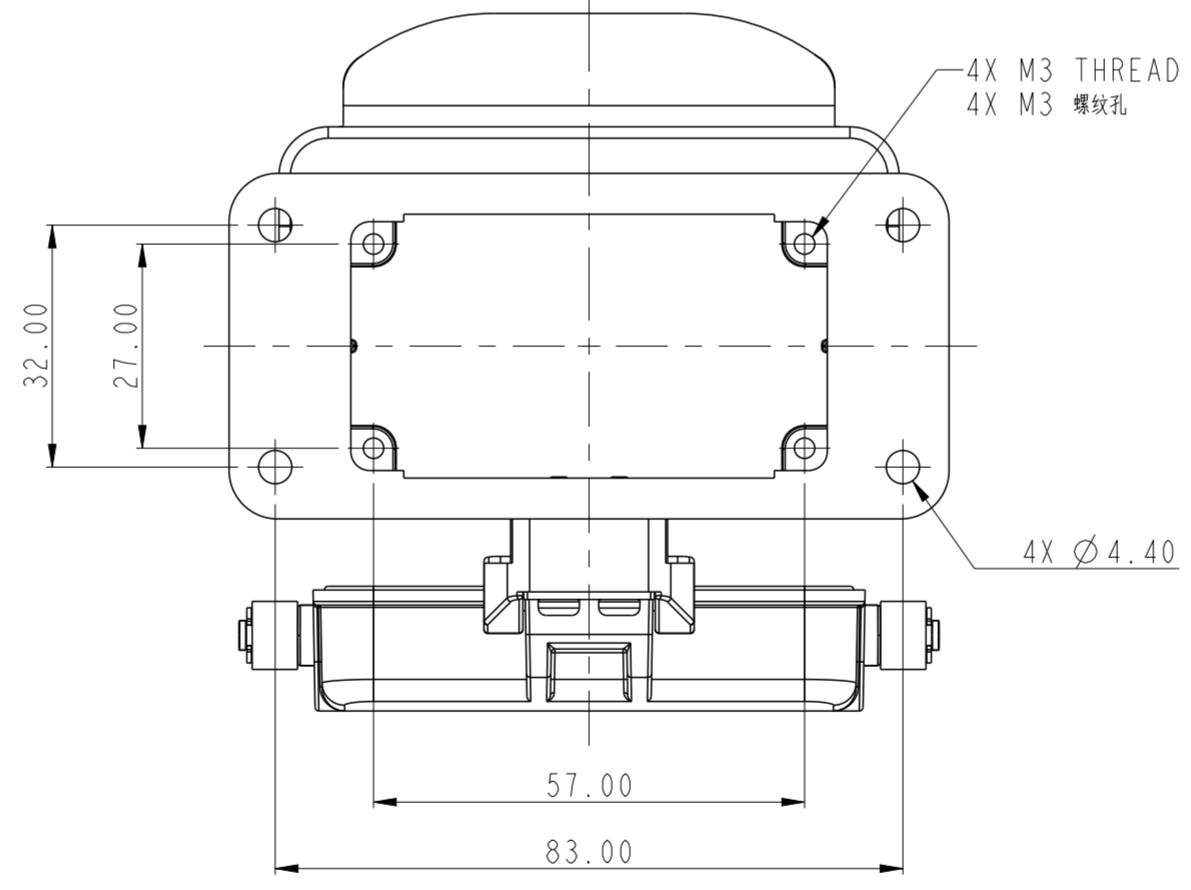


NOTES:
 1. TECHNICAL CHARACTERISTICS:
 HOUSING MATERIAL: DIE CAST ALUMINIUM ALLOY
 SURFACE: POWDER COATED, GREY
 DEGREE OF PROTECTION: IP65 (MATED)

注释:
 1. 技术参数:
 下壳材料: 铝合金
 表面处理: 灰色粉末喷涂
 防护等级: IP65(配合)



PANEL CUT OUT



T1510102100-000	H10B-ADMS-LB	H10B HOUSING, BULKHEAD MOUNTED, STAINLESS STEEL SINGLE LOCKING, METAL PROTECTION COVER, POWDER COATED, GREY H10B下壳, 开孔安装, 不锈钢单扣, 带金属保护盖, 灰色粉末喷涂
PART NUMBER 料号	PART DESCRIPTION 描述	

THIS DRAWING IS A CONTROLLED DOCUMENT.		DWN DAVID.WANG 25JUN2015	TE Connectivity	
		CHK CHRIS.WANG 25JUN2015		
		APVD XIANG.XU 25JUN2015	NAME H10B-ADMS-LB	
DIMENSIONS: mm		PRODUCT SPEC 108-137013	SIZE A2	
TOLERANCES UNLESS OTHERWISE SPECIFIED:		APPLICATION SPEC 114-137013	CAGE CODE -	DRAWING NO. C-T1510102100000
0 PLC ±		WEIGHT -	RESTRICTED TO -	
1 PLC ±		Customer Drawing		
2 PLC ±		SCALE 1:1	SHEET 1	OF 1
3 PLC ±		REV B		
4 PLC ±				
ANGLES ±				
FINISH -				