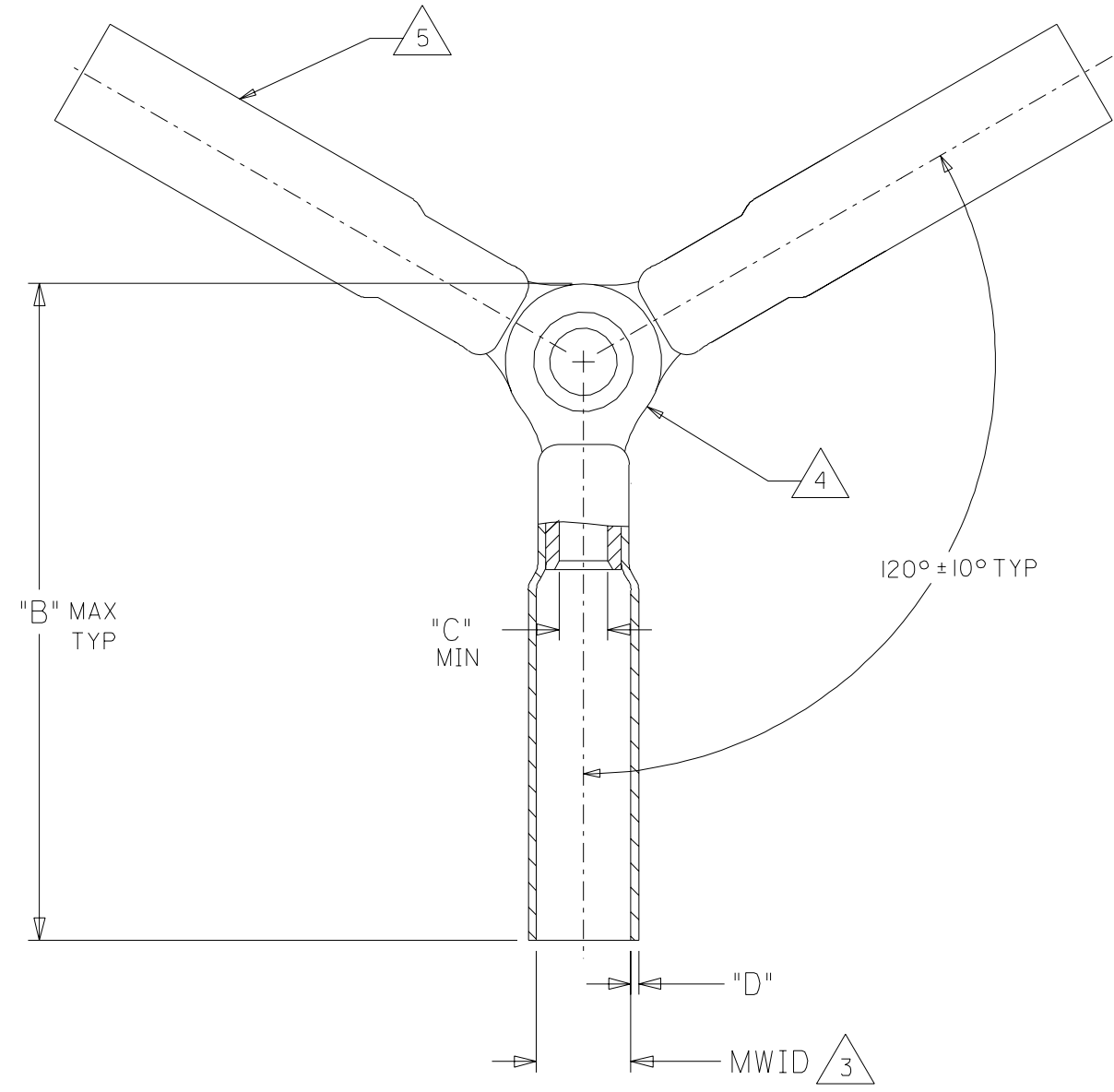


MATERIAL NUMBER	ENGINEERING NUMBER	WIRE SIZE AWG	WIRE SIZE MM SQ.	PERMA-SEAL COLOR	MWID	B MAX	C MIN	D
191640011	SA-2YCX	22-18	.25-1.5	RED	.215/5.46	1.25/31.8	.62/1.57	.025/0.64
191640042	SB-2YCX	16-14	1.0-2.5	BLUE	.235/5.97	1.24/31.5	1.24/31.5	.029/0.74
191640074	SC-2YCX	12-10	4.0-6.0	YELLOW	.310/7.62	1.34/34.0	.128/3.25	.029/0.74

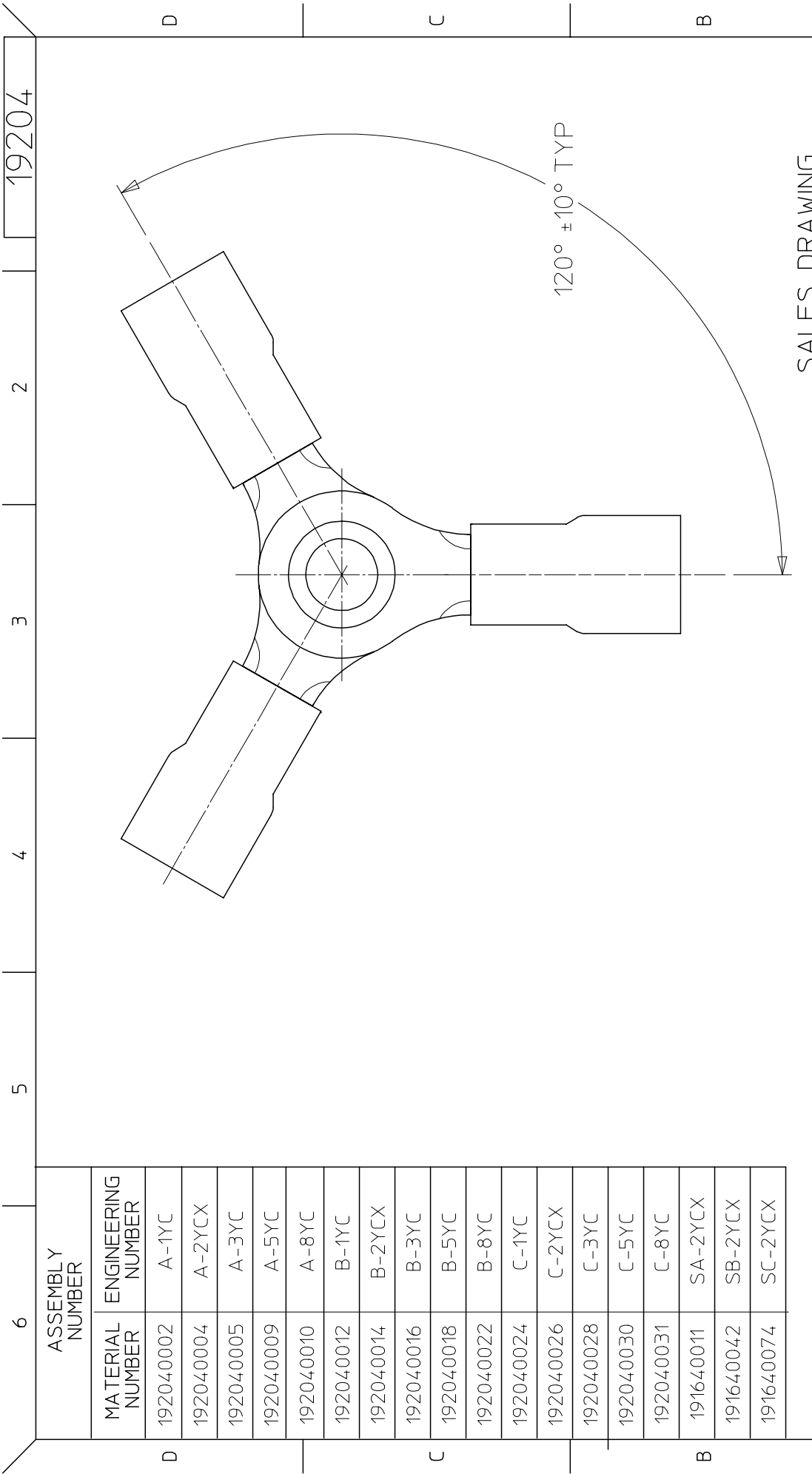


- NOTES:
1. CONNECTION BETWEEN TERMINALS TO BE TIGHT.
  2. RIVET NOT TO BE SPLIT.
  3. MWID = MAXIMUM WIRE INSULATION DIAMETER.
  4. TERMINAL MATERIAL: COPPER ALLOY.
  5. INSULATION MATERIAL: HEAT SHRINKABLE TUBING WITH HOTMELT ADHESIVE INNER LINER. COLOR SEE CHART.

SALES DRAWING

NEW RELEASE EC NO. ETC2003-0136 DRWN: BRE 03/03/20 CHK: HEB 03/03/20 APPR: RWD 03/03/20	QUALITY SYMBOLS MAJOR $\blacktriangledown = 0$ CRITICAL $\triangle = 0$	GENERAL TOLERANCES: (UNLESS SPECIFIED)		SCALE NO: NE	DESIGN UNITS <input type="checkbox"/> mm <input checked="" type="checkbox"/> INCH	DIMENSIONS: <input type="checkbox"/> mm <input checked="" type="checkbox"/> INCH <input type="checkbox"/> mm ONLY	SHT REV	
		4 PLACES $\pm 0.$	3 PLACES $\pm 0.$	2 PLACES $\pm 0.$	1 PLACE $\pm 0.$	DRAWN BY & DATE BRE 02/11/15	TITLE: 3-WAY NIAC CONNECTOR ASSEMBLY	
		ANGULAR: $\pm$				CHECKED BY & DATE HEB 02/11/15	MOLEX INCORPORATED	
		DRAFT WHERE APPLICABLE MUST REMAIN WITHIN DIMENSIONS				APPROVED BY & DATE RWD 15/11/15	CAD FILENAME E-19164-051 .DGN	MATERIAL NO. SEE CHART

THIS DRAWING CONTAINS INFORMATION THAT IS PROPRIETARY TO MOLEX INCORPORATED AND SHOULD NOT BE USED WITHOUT WRITTEN PERMISSION.



SALES DRAWING

D C B A

19204 2 3 4 5 6

ASSEMBLY NUMBER

ENGINEERING NUMBER

A-1YC A-2YCX A-3YC A-5YC A-8YC B-1YC B-2YCX B-3YC B-5YC B-8YC C-1YC C-2YCX C-3YC C-5YC C-8YC SA-2YCX SB-2YCX SC-2YCX

QUALITY SYMBOLS	GENERAL TOLERANCES (UNLESS SPECIFIED)	SCALE NTS	DESIGN UNITS INCH	THIRD ANGLE PROJECTION	REVISE ON CAD ONLY
▲ - 0	mm INCH	IN/MM	INCH	☉	
▽ - 0	± --- ± .005 ± 0.13 ± --- ANGULAR ± 1/2°	DRAWN BY RWD	DATE 03/05/14	TITLE 3-WAY CONNECTOR ASSEMBLY	
	DRAFT WHERE APPLICABLE MUST REMAIN WITHIN DIMENSIONS	CHECKED BY RWD	DATE 03/05/14	MOLEX INCORPORATED	
		APPROVED BY RWD	DATE 03/05/14	MATERIAL NO. (SEE CHART) SD-19204-001	SHEET NO. 1 OF 1
DESCRIPTION	EC NO: ETIC2003-0305	DRWN:DMYRCK	2003/05/16	THIS DRAWING CONTAINS INFORMATION THAT IS PROPRIETARY TO MOLEX INCORPORATED AND SHOULD NOT BE USED WITHOUT WRITTEN PERMISSION	
APP:RDEROSS	2003/05/16	CHKD:RWD	2003/05/16	A	
WAS 65252-01C/-02C				3	