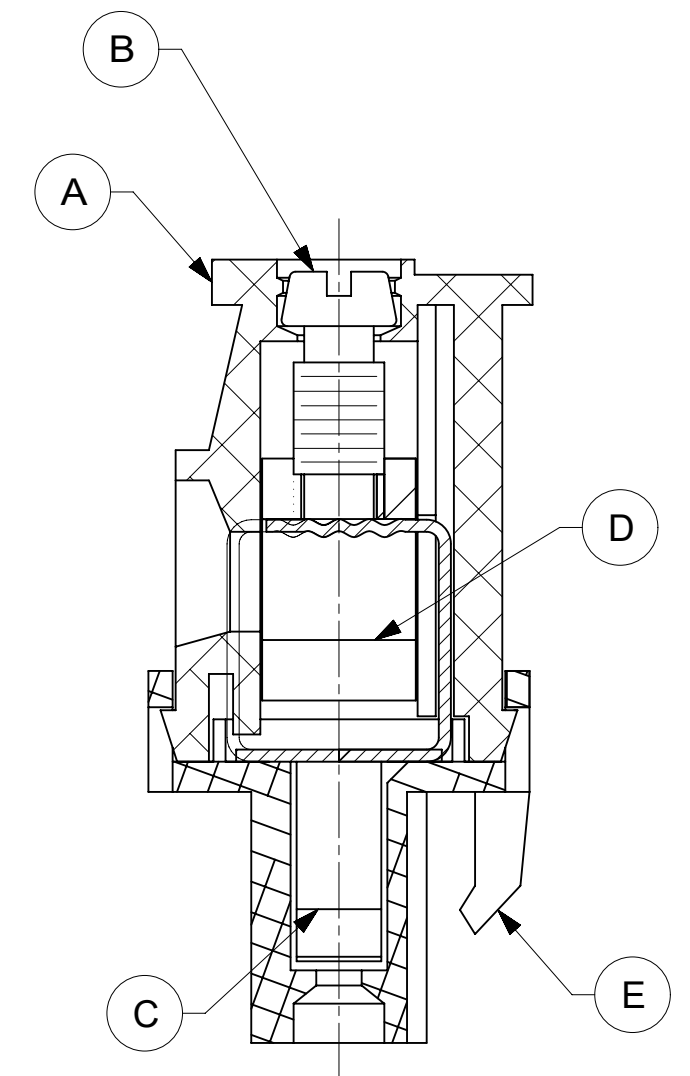
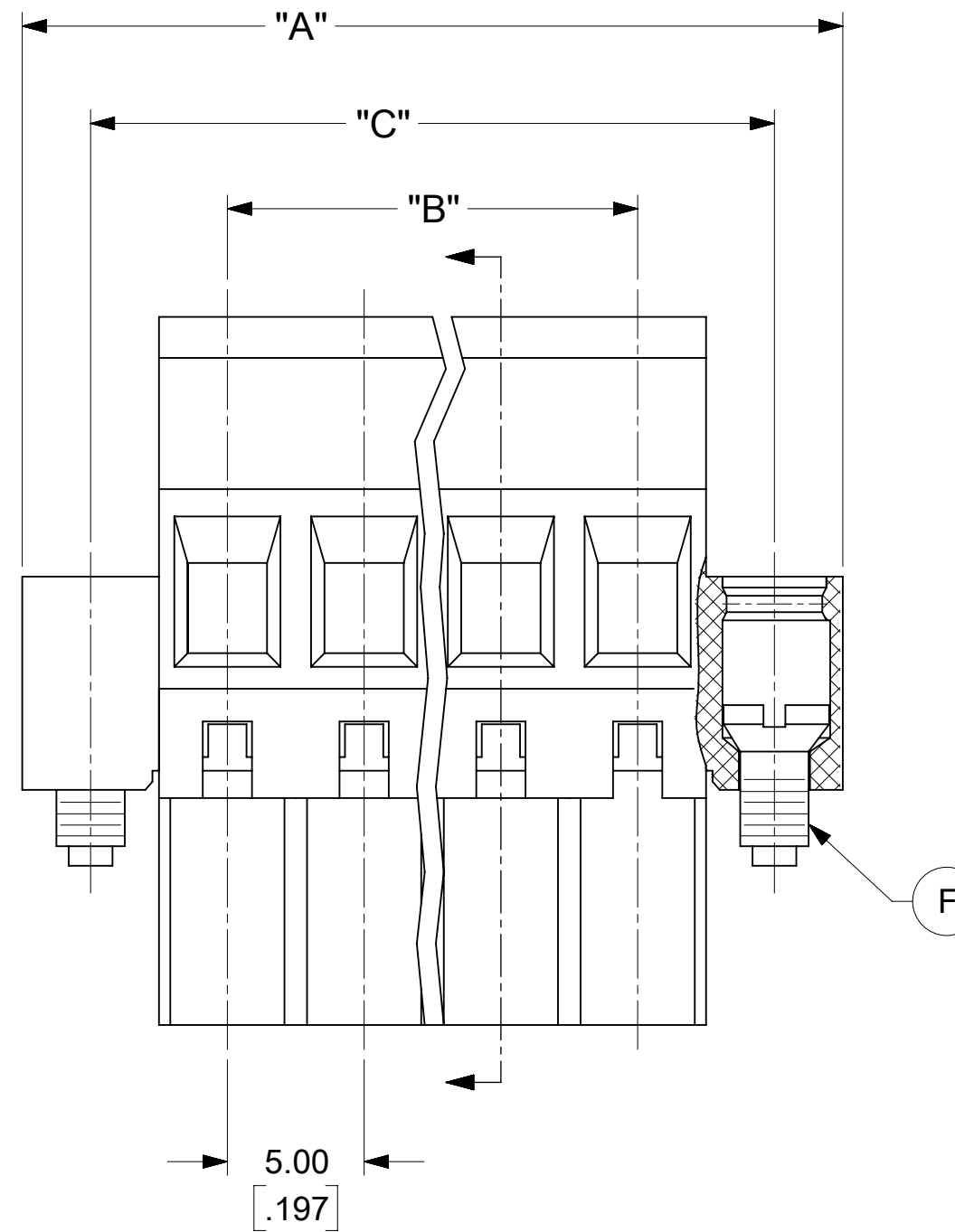
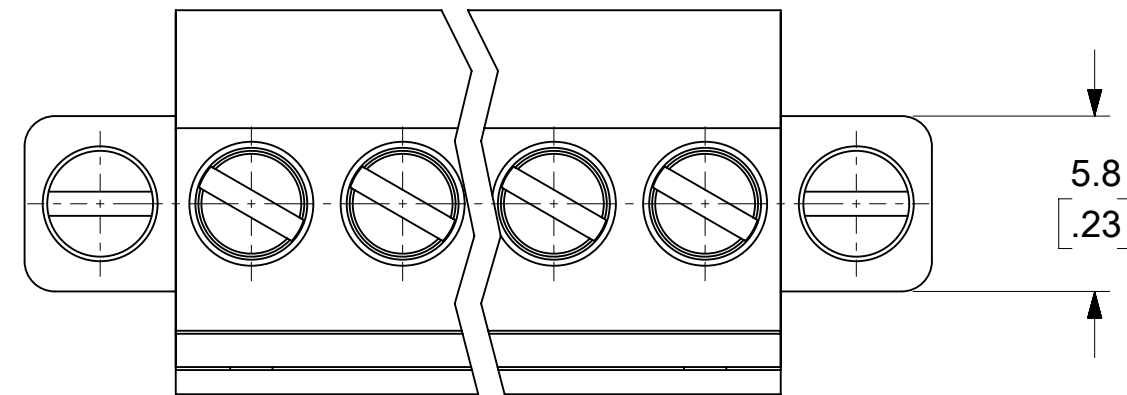
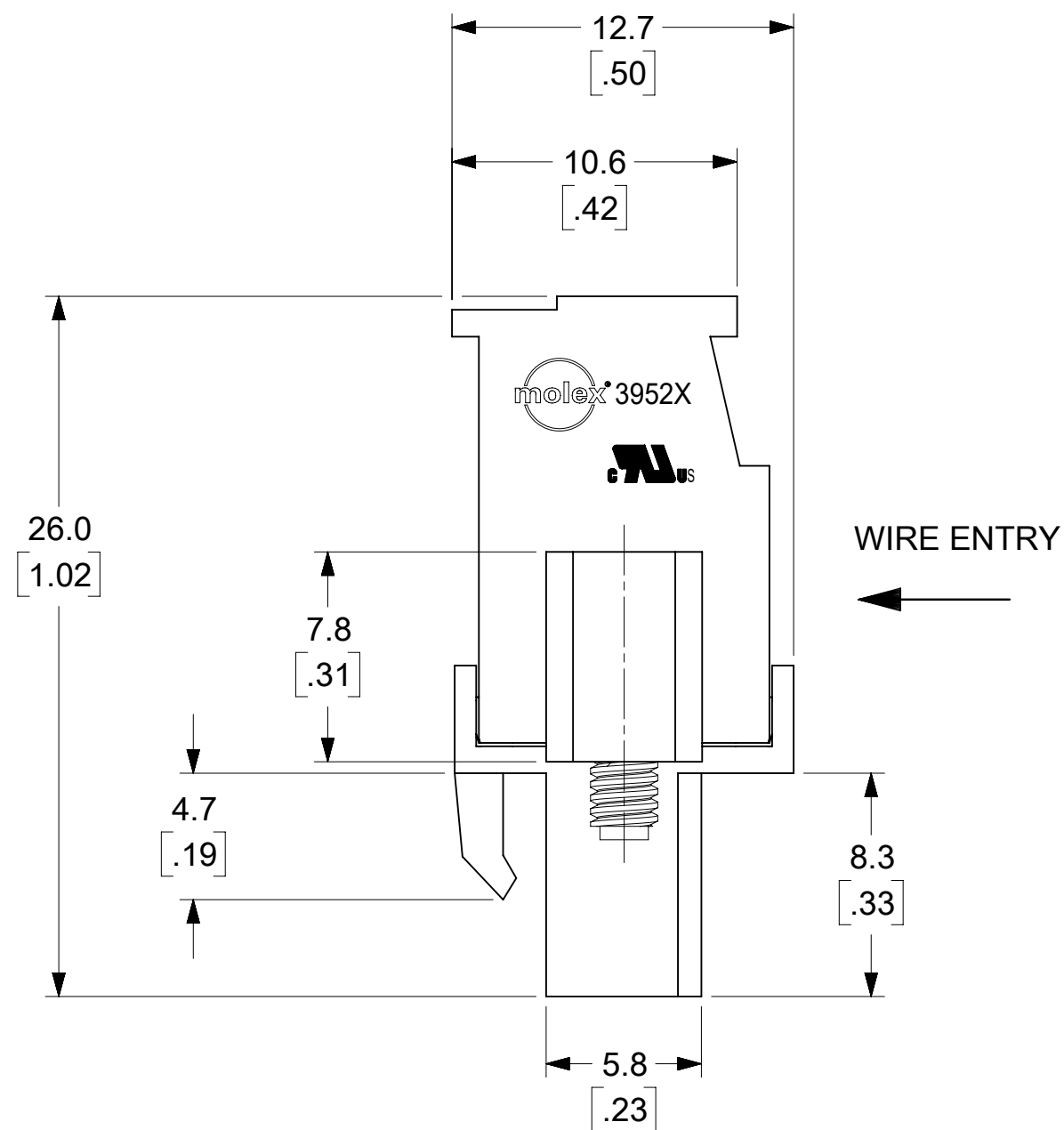


PCB LAYOUT C2



SPECIFICATIONS:

- MATERIAL:
  - (A). BODY: PA66, UL94V-0
  - (B). M3 CLAMP SCREW: ZINC PLATED STEEL
  - (C). TERMINAL: TIN PLATED COPPER ALLOY
  - (D). CAGE: NICKEL PLATED BRASS
  - (E). COVER: PA66, UL94V-0
  - (F). MTG. SCREW: M2.5-STEEL, ZINC PLATED
- WIRE RANGE: 12 - 30 AWG C2
- ELECTRICAL RATING: 300V, 18A PER UL C2
- WIRE STRIP LENGTH: 5.0mm.
- OPERATING TEMPERATURE: -40°C to +105°C.
- MAX TORQUE: 5 IN-LBS. C2
- INSULATION RESISTANCE: DC 500V, 500MΩ.
- DIELECTRIC WITHSTAND: AC 2500V FOR 1 MINUTE.
- BREAKDOWN VOLTAGE: 4000V.
- CONTACT RESISTANCE: 10 mΩ.

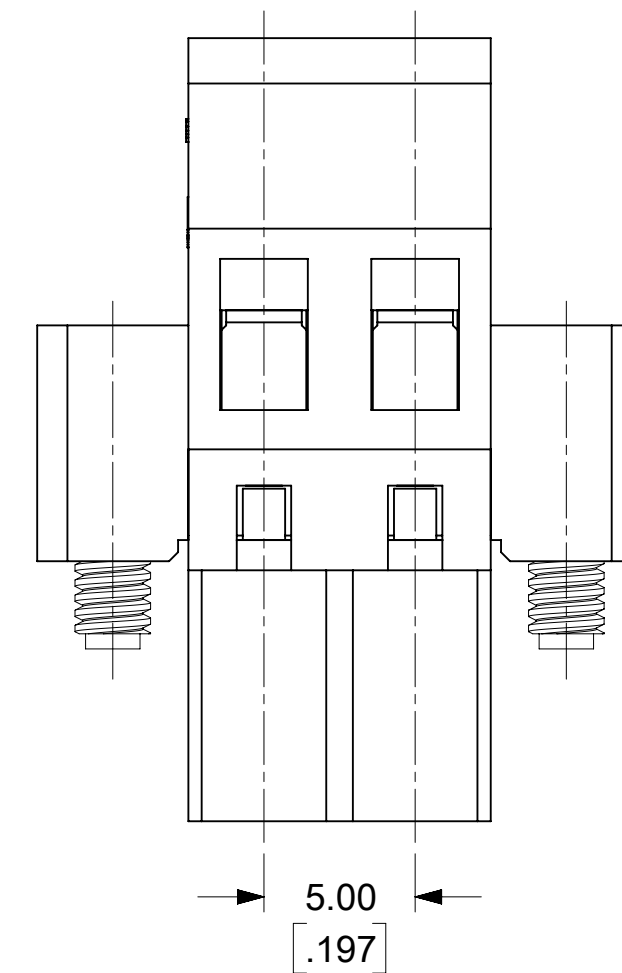
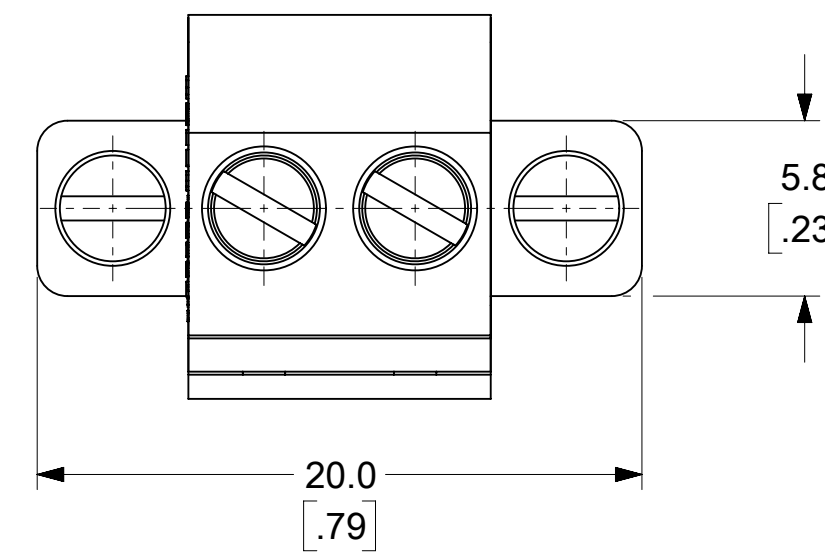
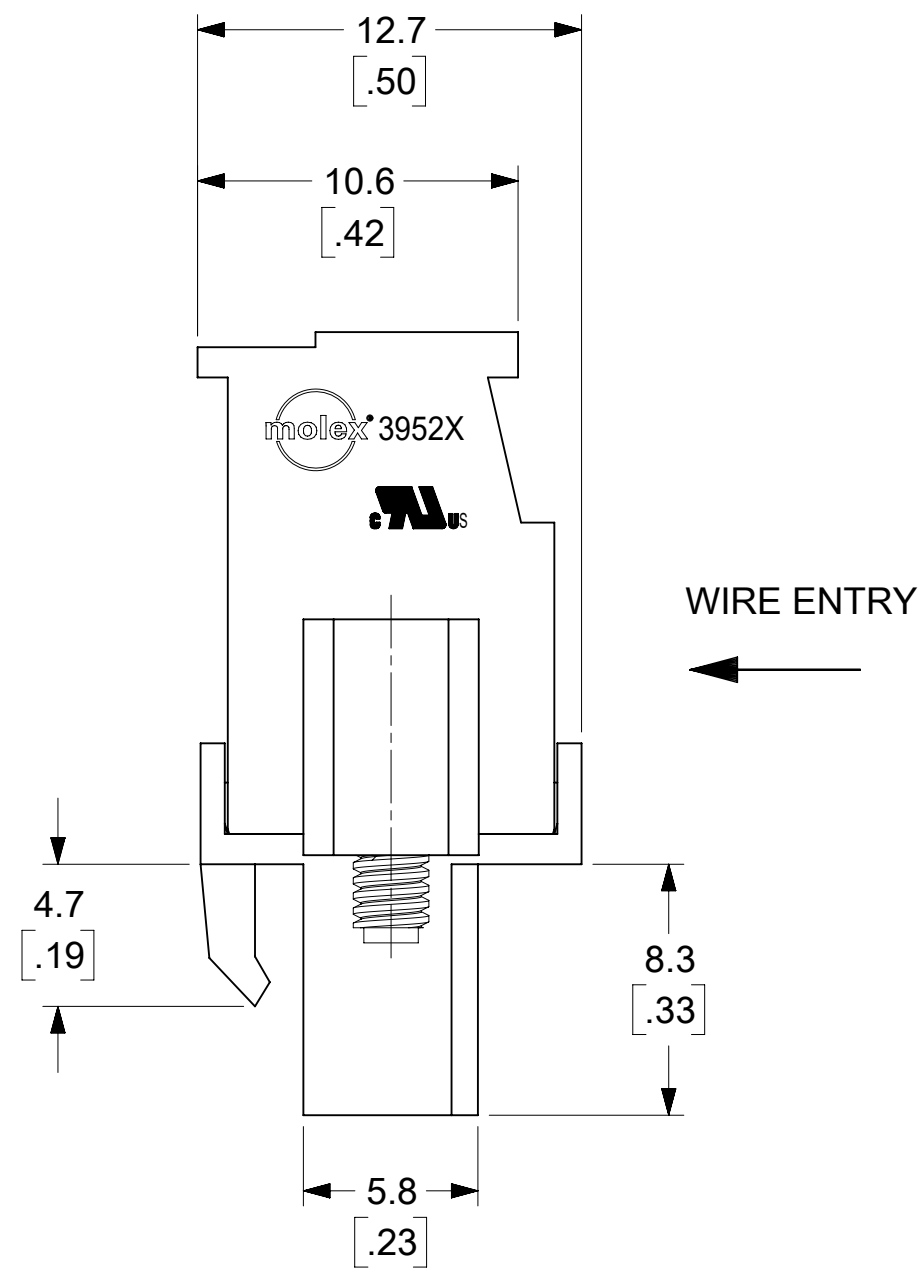
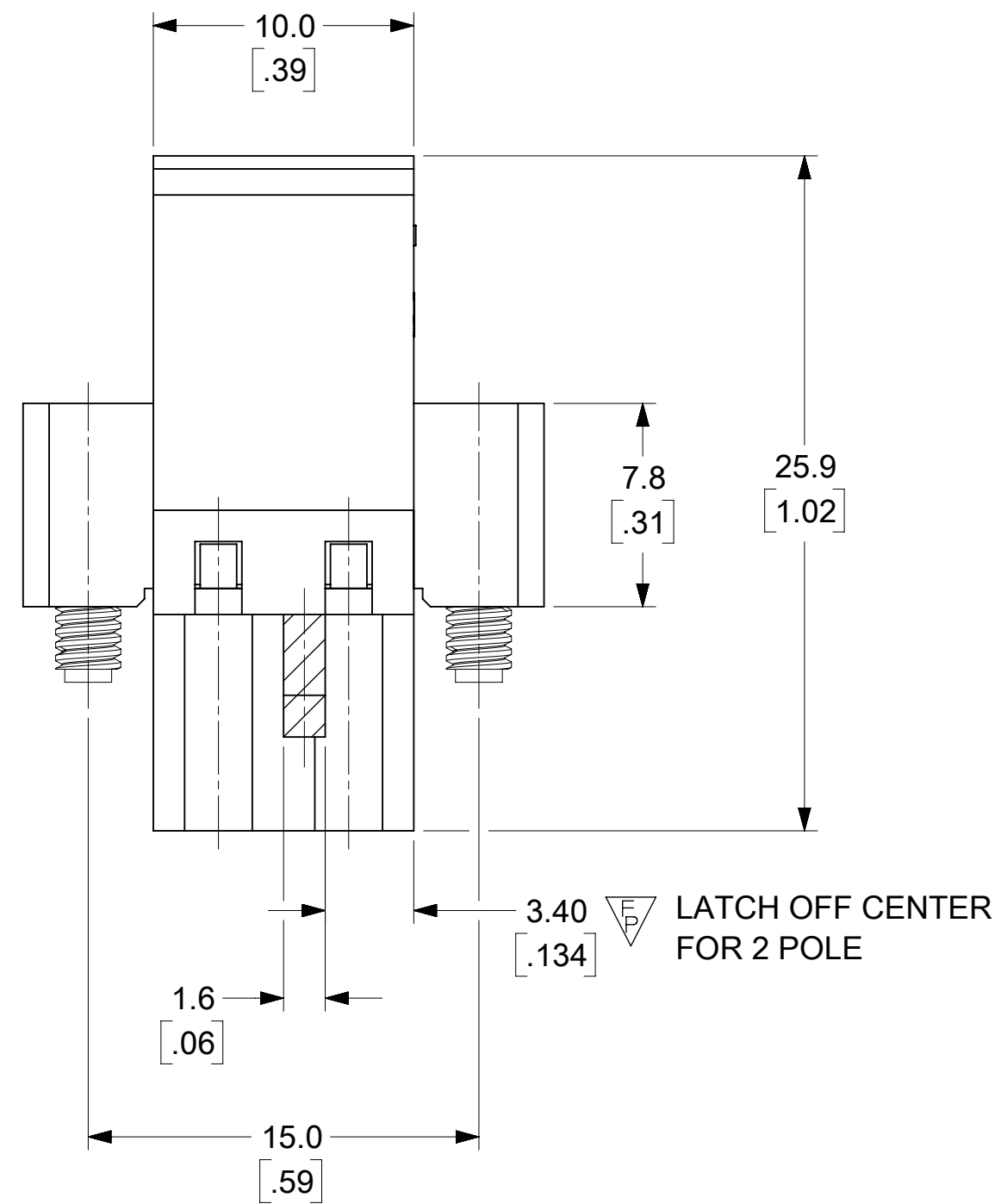
| TOLERANCES |       |            |       |
|------------|-------|------------|-------|
| MM         | TOL   | INCH       | TOL   |
| 0-6        | ±0.25 | 0-.24      | ±.010 |
| >6-30      | ±0.40 | >.24-1.18  | ±.016 |
| >30-120    | ±0.50 | >1.18-4.76 | ±.020 |
| >120       | ±0.80 | >4.76      | ±.031 |

|                    |   |                        |   |                   |
|--------------------|---|------------------------|---|-------------------|
| FUNCTIONAL SYMBOLS | THIS DRAWING CONTAINS INFORMATION THAT IS PROPRIETARY TO MOLEX ELECTRONIC TECHNOLOGIES, LLC AND SHOULD NOT BE USED WITHOUT WRITTEN PERMISSION |                        |   |                   |
|                    | DIMENSION UNITS   | SCALE                  | CURRENT REV DESC: DESCRIPTION "FRONT WIRE ENTRY" CHANGED TO "REAR WIRE ENTRY". ADDED PCB LAYOUT. MODIFIED NOTES. REMOVED CSA LOGO |                   |
| FA = 0             | MM/INCH   | 4:1                    | EC NO: 719296   |                   |
| DIVISIONAL SYMBOLS | GENERAL TOLERANCES (UNLESS SPECIFIED)   |                        |   | DRWN: ABENJAMINLW |
|                    | 4 PLACES  | ±                      | ---   | 2022/04/14        |
| DIVISIONAL SYMBOLS | 3 PLACES  | ±                      | ---   | 2022/08/25        |
|                    | 2 PLACES  | ±                      | ---   | 2022/09/23        |
| DIVISIONAL SYMBOLS | 1 PLACE   | ±                      | ---   | INITIAL REVISION: |
|                    | 0 PLACES  | ±                      | ---   | DRWN: CYORK       |
| DIVISIONAL SYMBOLS | ANGULAR TOL   | ±                      | ---   | 2006/03/23        |
|                    | DRAFT WHERE APPLICABLE MUST REMAIN WITHIN DIMENSIONS  | THIRD ANGLE PROJECTION |   |                   |
| DRAWING            |   | SERIES                 | MATERIAL NUMBER   | CUSTOMER          |
| C-SIZE             |   | 39527                  | SEE SHEET-3   | GENERAL MARKET    |
| DOCUMENT NUMBER    |   | DOC TYPE               | DOC PART  | REVISION          |
| SD-39527-002       |   | PSD                    | 001   | C2                |
| SHEET NUMBER       |   | 1 OF 3                 |   |                   |



5.0MM EURO PLUG ASSY  
VERTICAL RWE WITH MOUNTING ENDS

PRODUCT CUSTOMER DRAWING



2 POLE ASSEMBLY FOR STANDARD LATCH POSITION

SEE SHEET-1 FOR SPECIFICATIONS

| TOLERANCES |       |           |       |
|------------|-------|-----------|-------|
| MM         | TOL   | INCH      | TOL   |
| 0-6        | ±0.25 | 0-.24     | ±.010 |
| >6-30      | ±0.40 | .24-1.18  | ±.016 |
| >30-120    | ±0.50 | 1.18-4.76 | ±.020 |
| >120       | ±0.80 | >4.76     | ±.031 |

|                    |   |                 |                                       |   |           |      |  |                              |                        |                          |             |                 |          |              |
|--------------------|---|-----------------|---------------------------------------|---|-----------|------|--|------------------------------|------------------------|--------------------------|-------------|-----------------|----------|--------------|
| FUNCTIONAL SYMBOLS | THIS DRAWING CONTAINS INFORMATION THAT IS PROPRIETARY TO MOLEX ELECTRONIC TECHNOLOGIES, LLC AND SHOULD NOT BE USED WITHOUT WRITTEN PERMISSION |                 |                                       |   |           |      |  |                              |                        |                          |             |                 |          |              |
|                    | FA = 0  | DIMENSION UNITS | SCALE                                 | CURRENT REV DESC: DESCRIPTION "FRONT WIRE ENTRY" CHANGED TO "REAR WIRE ENTRY". ADDED PCB LAYOUT. MODIFIED NOTES. REMOVED CSA LOGO |           |      |  |                              |                        |                          |             |                 |          |              |
| FC = 0             | MM/INCH   | 4:1             | GENERAL TOLERANCES (UNLESS SPECIFIED) |   |           |      |  |                              |                        | 5.0MM EURO PLUG ASSY     |             |                 |          |              |
| DIVISIONAL SYMBOLS | FP = 1  |                 |                                       | MM  |           | INCH |  | EC NO: 719296                |                        | DOCUMENT NUMBER          |             | DOC TYPE        | DOC PART | REVISION     |
|                    |   |                 | 4 PLACES                              | ±   | ---       | ±    | ---  | DRWN: ABENJAMINLW 2022/04/14 |                        | SD-39527-002             |             | PSD             | 001      | C2           |
|                    |   |                 | 3 PLACES                              | ±   | ---       | ±    | SEE CHART  | CHK'D: DACHAMMER 2022/08/25  |                        | PRODUCT CUSTOMER DRAWING |             |                 |          |              |
|                    |   |                 | 2 PLACES                              | ±   | SEE CHART | ±    | SEE CHART  | APPR: JFMURPHY 2022/09/23    |                        | INITIAL REVISION:        |             |                 |          |              |
|                    |   |                 | 1 PLACE                               | ±   | SEE CHART | ±    | ---  | DRWN: CYORK 2006/03/23       |                        | APPR: RDEROSS 2006/03/24 |             |                 |          |              |
|                    |   | 0 PLACES        | ±                                     | ---   | ±         | ---  | DRAFT WHERE APPLICABLE MUST REMAIN WITHIN DIMENSIONS |                              | THIRD ANGLE PROJECTION | DRAWING                  | SERIES      | MATERIAL NUMBER | CUSTOMER | SHEET NUMBER |
|                    |   |                 |                                       |   |           |      |  |                              | C-SIZE                 | 39527                    | SEE SHEET-3 | GENERAL MARKET  | 2 OF 3   |              |

| DESCRIPTION                                   | CIRCUIT SIZE | MATERIAL NUMBERS |           |           |                  |           |           |                  |           |           |                  |           |           | DIMENSIONAL INFORMATION |      |          |       |          |      |
|---|--------------|------------------|-----------|-----------|------------------|-----------|-----------|------------------|-----------|-----------|------------------|-----------|-----------|-------------------------|------|----------|-------|----------|------|
|   |              | BLACK            |           |           |                  |           |           | GREEN            |           |           |                  |           |           |                         |      |          |       |          |      |
|   |              | 100% TIN         |           |           | 30 u" GOLD       |           |           | 100% TIN         |           |           | 30 u" GOLD       |           |           | DIM. "A"                |      | DIM. "B" |       | DIM. "C" |      |
|   |              | PRINTING OPTIONS |           |           | PRINTING OPTIONS |           |           | PRINTING OPTIONS |           |           | PRINTING OPTIONS |           |           | mm                      | inch | mm       | inch  | mm       | inch |
|   |              | None             | 10AV      | 11AV      | None             | 10AV      | 11AV      | None             | 10AV      | 11AV      | None             | 10AV      | 11AV      | mm                      | inch | mm       | inch  | mm       | inch |
| 5.0MM, EURO PLUG, VERTICAL RWE, MOUNTING ENDS | 2            | 395272002        | 395272302 | 395272402 | 395272502        | 395272802 | 395272902 | 395277002        | 395277302 | 395277402 | 395277502        | 395277802 | 395277902 | 20.0                    | .79  | 5.00     | .197  | 15.0     | .59  |
| 5.0MM, EURO PLUG, VERTICAL RWE, MOUNTING ENDS | 3            | 395272003        | 395272303 | 395272403 | 395272503        | 395272803 | 395272903 | 395277003        | 395277303 | 395277403 | 395277503        | 395277803 | 395277903 | 25.0                    | .98  | 10.00    | .394  | 20.0     | .79  |
| 5.0MM, EURO PLUG, VERTICAL RWE, MOUNTING ENDS | 4            | 395272004        | 395272304 | 395272404 | 395272504        | 395272804 | 395272904 | 395277004        | 395277304 | 395277404 | 395277504        | 395277804 | 395277904 | 30.0                    | 1.18 | 15.00    | .591  | 25.0     | .98  |
| 5.0MM, EURO PLUG, VERTICAL RWE, MOUNTING ENDS | 5            | 395272005        | 395272305 | 395272405 | 395272505        | 395272805 | 395272905 | 395277005        | 395277305 | 395277405 | 395277505        | 395277805 | 395277905 | 35.0                    | 1.38 | 20.00    | .787  | 30.0     | 1.18 |
| 5.0MM, EURO PLUG, VERTICAL RWE, MOUNTING ENDS | 6            | 395272006        | 395272306 | 395272406 | 395272506        | 395272806 | 395272906 | 395277006        | 395277306 | 395277406 | 395277506        | 395277806 | 395277906 | 40.0                    | 1.57 | 25.00    | .984  | 35.0     | 1.38 |
| 5.0MM, EURO PLUG, VERTICAL RWE, MOUNTING ENDS | 7            | 395272007        | 395272307 | 395272407 | 395272507        | 395272807 | 395272907 | 395277007        | 395277307 | 395277407 | 395277507        | 395277807 | 395277907 | 45.0                    | 1.77 | 30.00    | 1.181 | 40.0     | 1.57 |
| 5.0MM, EURO PLUG, VERTICAL RWE, MOUNTING ENDS | 8            | 395272008        | 395272308 | 395272408 | 395272508        | 395272808 | 395272908 | 395277008        | 395277308 | 395277408 | 395277508        | 395277808 | 395277908 | 50.0                    | 1.97 | 35.00    | 1.378 | 45.0     | 1.77 |
| 5.0MM, EURO PLUG, VERTICAL RWE, MOUNTING ENDS | 9            | 395272009        | 395272309 | 395272409 | 395272509        | 395272809 | 395272909 | 395277009        | 395277309 | 395277409 | 395277509        | 395277809 | 395277909 | 55.0                    | 2.17 | 40.00    | 1.575 | 50.0     | 1.97 |
| 5.0MM, EURO PLUG, VERTICAL RWE, MOUNTING ENDS | 10           | 395272010        | 395272310 | 395272410 | 395272510        | 395272810 | 395272910 | 395277010        | 395277310 | 395277410 | 395277510        | 395277810 | 395277910 | 60.0                    | 2.36 | 45.00    | 1.772 | 55.0     | 2.17 |
| 5.0MM, EURO PLUG, VERTICAL RWE, MOUNTING ENDS | 11           | 395272011        | 395272311 | 395272411 | 395272511        | 395272811 | 395272911 | 395277011        | 395277311 | 395277411 | 395277511        | 395277811 | 395277911 | 65.0                    | 2.56 | 50.00    | 1.969 | 60.0     | 2.36 |
| 5.0MM, EURO PLUG, VERTICAL RWE, MOUNTING ENDS | 12           | 395272012        | 395272312 | 395272412 | 395272512        | 395272812 | 395272912 | 395277012        | 395277312 | 395277412 | 395277512        | 395277812 | 395277912 | 70.0                    | 2.76 | 55.00    | 2.165 | 65.0     | 2.56 |
| 5.0MM, EURO PLUG, VERTICAL RWE, MOUNTING ENDS | 13           | 395272013        | 395272313 | 395272413 | 395272513        | 395272813 | 395272913 | 395277013        | 395277313 | 395277413 | 395277513        | 395277813 | 395277913 | 75.0                    | 2.95 | 60.00    | 2.362 | 70.0     | 2.76 |
| 5.0MM, EURO PLUG, VERTICAL RWE, MOUNTING ENDS | 14           | 395272014        | 395272314 | 395272414 | 395272514        | 395272814 | 395272914 | 395277014        | 395277314 | 395277414 | 395277514        | 395277814 | 395277914 | 80.0                    | 3.15 | 65.00    | 2.559 | 75.0     | 2.95 |
| 5.0MM, EURO PLUG, VERTICAL RWE, MOUNTING ENDS | 15           | 395272015        | 395272315 | 395272415 | 395272515        | 395272815 | 395272915 | 395277015        | 395277315 | 395277415 | 395277515        | 395277815 | 395277915 | 85.0                    | 3.35 | 70.00    | 2.756 | 80.0     | 3.15 |
| 5.0MM, EURO PLUG, VERTICAL RWE, MOUNTING ENDS | 16           | 395272016        | 395272316 | 395272416 | 395272516        | 395272816 | 395272916 | 395277016        | 395277316 | 395277416 | 395277516        | 395277816 | 395277916 | 90.0                    | 3.54 | 75.00    | 2.953 | 85.0     | 3.35 |
| 5.0MM, EURO PLUG, VERTICAL RWE, MOUNTING ENDS | 17           | 395272017        | 395272317 | 395272417 | 395272517        | 395272817 | 395272917 | 395277017        | 395277317 | 395277417 | 395277517        | 395277817 | 395277917 | 95.0                    | 3.74 | 80.00    | 3.150 | 90.0     | 3.54 |
| 5.0MM, EURO PLUG, VERTICAL RWE, MOUNTING ENDS | 18           | 395272018        | 395272318 | 395272418 | 395272518        | 395272818 | 395272918 | 395277018        | 395277318 | 395277418 | 395277518        | 395277818 | 395277918 | 100.0                   | 3.94 | 85.00    | 3.346 | 95.0     | 3.74 |
| 5.0MM, EURO PLUG, VERTICAL RWE, MOUNTING ENDS | 19           | 395272019        | 395272319 | 395272419 | 395272519        | 395272819 | 395272919 | 395277019        | 395277319 | 395277419 | 395277519        | 395277819 | 395277919 | 105.0                   | 4.13 | 90.00    | 3.543 | 100.0    | 3.94 |
| 5.0MM, EURO PLUG, VERTICAL RWE, MOUNTING ENDS | 20           | 395272020        | 395272320 | 395272420 | 395272520        | 395272820 | 395272920 | 395277020        | 395277320 | 395277420 | 395277520        | 395277820 | 395277920 | 110.0                   | 4.33 | 95.00    | 3.740 | 105.0    | 4.13 |
| 5.0MM, EURO PLUG, VERTICAL RWE, MOUNTING ENDS | 21           | 395272021        | 395272321 | 395272421 | 395272521        | 395272821 | 395272921 | 395277021        | 395277321 | 395277421 | 395277521        | 395277821 | 395277921 | 115.0                   | 4.53 | 100.00   | 3.937 | 110.0    | 4.33 |
| 5.0MM, EURO PLUG, VERTICAL RWE, MOUNTING ENDS | 22           | 395272022        | 395272322 | 395272422 | 395272522        | 395272822 | 395272922 | 395277022        | 395277322 | 395277422 | 395277522        | 395277822 | 395277922 | 120.0                   | 4.72 | 105.00   | 4.134 | 115.0    | 4.53 |
| 5.0MM, EURO PLUG, VERTICAL RWE, MOUNTING ENDS | 23           | 395272023        | 395272323 | 395272423 | 395272523        | 395272823 | 395272923 | 395277023        | 395277323 | 395277423 | 395277523        | 395277823 | 395277923 | 125.0                   | 4.92 | 110.00   | 4.331 | 120.0    | 4.72 |
| 5.0MM, EURO PLUG, VERTICAL RWE, MOUNTING ENDS | 24           | 395272024        | 395272324 | 395272424 | 395272524        | 395272824 | 395272924 | 395277024        | 395277324 | 395277424 | 395277524        | 395277824 | 395277924 | 130.0                   | 5.12 | 115.00   | 4.528 | 125.0    | 4.92 |

C2

| TOLERANCES |       |           |       |
|------------|-------|-----------|-------|
| MM         | TOL   | INCH      | TOL   |
| 0-6        | ±0.25 | 0-.24     | ±.010 |
| >6-30      | ±0.40 | .24-1.18  | ±.016 |
| >30-120    | ±0.50 | 1.18-4.76 | ±.020 |
| >120       | ±0.80 | >4.76     | ±.031 |

|  |   |                         |   |         |  |           |  |                 |  |          |  |              |  |
|--|---|-------------------------|---|---------|--|-----------|--|-----------------|--|----------|--|--------------|--|
| FUNCTIONAL SYMBOLS                                   | THIS DRAWING CONTAINS INFORMATION THAT IS PROPRIETARY TO MOLEX ELECTRONIC TECHNOLOGIES, LLC AND SHOULD NOT BE USED WITHOUT WRITTEN PERMISSION |                         |   |         |  |           |  |                 |  |          |  |              |  |
| FA = 0   | DIMENSION UNITS   | SCALE                   | CURRENT REV DESC: DESCRIPTION "FRONT WIRE ENTRY" CHANGED TO "REAR WIRE ENTRY". ADDED PCB LAYOUT. MODIFIED NOTES. REMOVED CSA LOGO   |         |  |           |  |                 |  |          |  |              |  |
| FC = 0   | MM/INCH   | 1:1                     | <p>EC NO: 719296</p> <p>DRWN: ABENJAMINLW 2022/04/14</p> <p>CHK'D: DACHAMMER 2022/08/25</p> <p>APPR: JFMURPHY 2022/09/23</p> <p>INITIAL REVISION:</p> <p>DRWN: CYORK 2006/03/23</p> <p>APPR: RDEROSS 2006/03/24</p> |         |  |           |  |                 |  |          |  |              |  |
| FP = 0   | GENERAL TOLERANCES (UNLESS SPECIFIED)   |                         |   |         |  |           |  |                 |  |          |  |              |  |
| DIVISIONAL SYMBOLS                                   | 4 PLACES  | ± --- ± ---             | PRODUCT CUSTOMER DRAWING  |         |  |           |  |                 |  |          |  |              |  |
|  | 3 PLACES  | ± --- ± SEE CHART       | DOCUMENT NUMBER   |         |  |           |  |                 |  |          |  |              |  |
|  | 2 PLACES  | ± SEE CHART ± SEE CHART | SD-39527-002  |         |  |           |  |                 |  |          |  |              |  |
|  | 1 PLACE   | ± SEE CHART ± ---       | DOC TYPE   DOC PART   REVISION  |         |  |           |  |                 |  |          |  |              |  |
| 0 PLACES   | ± --- ± ---   | PSD 001 C2              |   |         |  |           |  |                 |  |          |  |              |  |
| ANGULAR TOL ± ---                                    |   | THIRD ANGLE PROJECTION  |   | DRAWING |  | SERIES    |  | MATERIAL NUMBER |  | CUSTOMER |  | SHEET NUMBER |  |
| DRAFT WHERE APPLICABLE MUST REMAIN WITHIN DIMENSIONS |   | C-SIZE                  |   | 39527   |  | SEE CHART |  | GENERAL MARKET  |  | 3 OF 3   |  |              |  |



5.0MM EURO PLUG ASSY  
VERTICAL RWE WITH MOUNTING ENDS

PRODUCT CUSTOMER DRAWING

SD-39527-002

DOC TYPE | DOC PART | REVISION

PSD 001 C2

SEE CHART | GENERAL MARKET | 3 OF 3