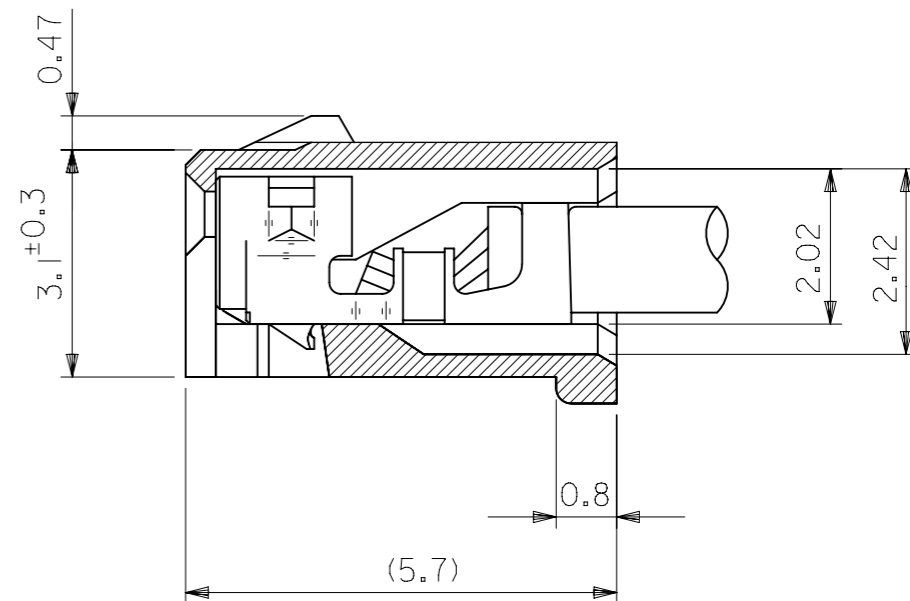
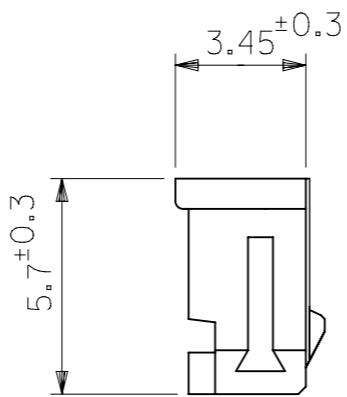
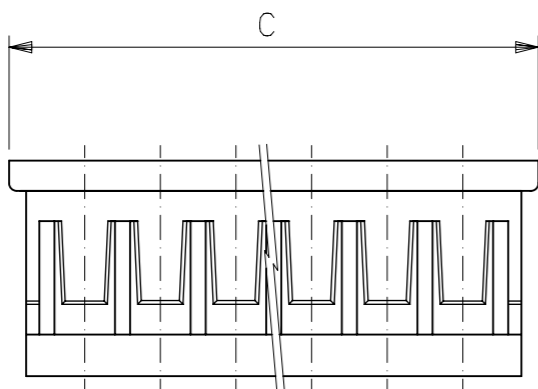
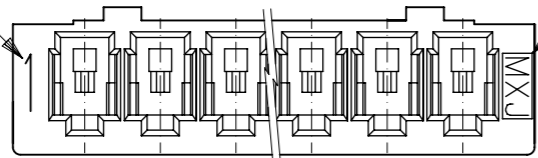
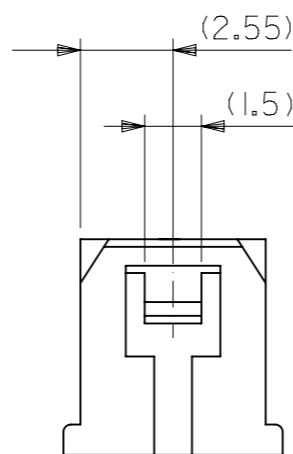
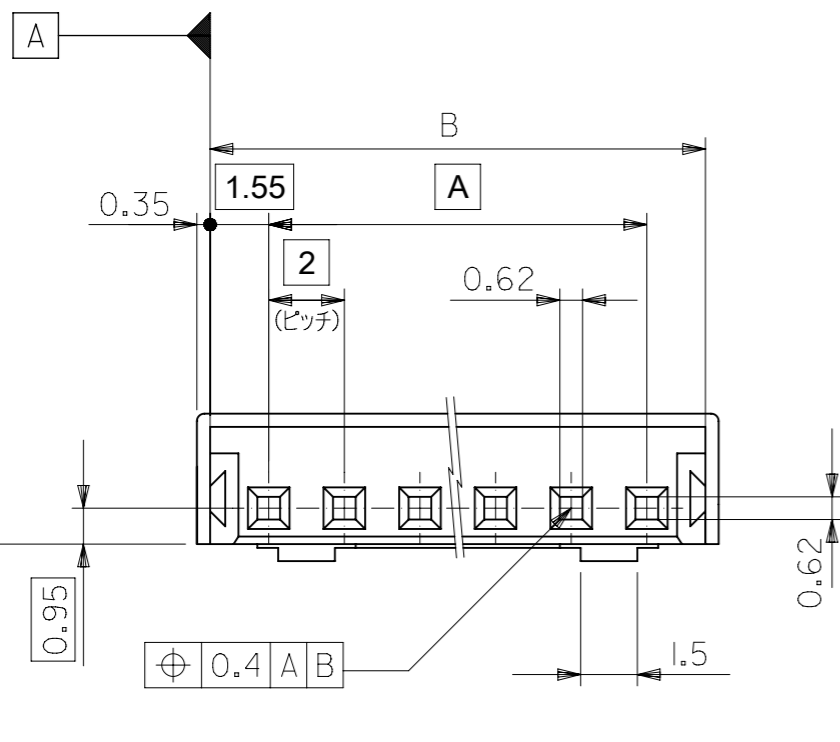


回路番号  
CIRCUIT NO.

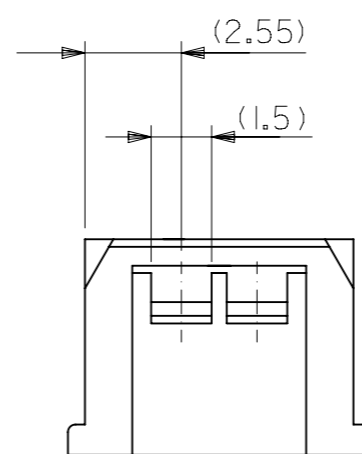
5 トレードマーク  
TRADE MARK



ターミナル装着状態図  
TERMINAL ASSEMBLY DRAWING  
(10:1)



2極の場合  
IN CASE OF  
2 CIRCUIT HSG.



3極の場合  
IN CASE OF  
3 CIRCUIT HSG.

31.8	31.1	28	51065-150*	15
29.8	29.1	26	-140*	14
27.8	27.1	24	-130*	13
25.8	25.1	22	-120*	12
23.8	23.1	20	-110*	11
21.8	21.1	18	-100*	10
19.8	19.1	16	-090*	9
17.8	17.1	14	-080*	8
15.8	15.1	12	-070*	7
13.8	13.1	10	-060*	6
11.8	11.1	8	-050*	5
9.8	9.1	6	-040*	4
7.8	7.1	4	-030*	3
5.8	5.1	2	51065-020*	2
C	B	A	PLASTIC BAG	極数
			オーダー番号 ORDER NO.	CIRCUITS

CONNECTOR SERIES NO. 51065-\*\*0\*

THIS DRAWING CONTAINS INFORMATION THAT IS PROPRIETARY TO MOLEX ELECTRONIC TECHNOLOGIES, LLC AND SHOULD NOT BE USED WITHOUT WRITTEN PERMISSION

DIMENSION UNITS	SCALE	CURRENT REV DESC: OBSOLETE PART NUMBER	<b>molex</b>		
mm	5:1				
GENERAL TOLERANCES (UNLESS SPECIFIED)			NEW 2.0 WIRE TO BOARD CONN RECEPTACLE HOUSING		
4 PLACES ±			PRODUCT CUSTOMER DRAWING		
3 PLACES ±			DOCUMENT NUMBER		
2 PLACES ±			SD-51065-004		
1 PLACE ±			DOC TYPE		
0 PLACES ±			PSD		
ANGULAR TOL ± 3.0°			DOC PART		
DRAFT WHERE APPLICABLE MUST REMAIN WITHIN DIMENSIONS			001		
THIRD ANGLE PROJECTION			REVISION		
DRAWING			F		
SERIES			SHEET NUMBER		
A3-SIZE			1 OF 2		
51065			MATERIAL NUMBER		
SEE TABLE			CUSTOMER		
GENERAL MARKET					

GENERAL TOLERANCES (UNLESS SPECIFIED)	
10 <sup>UNDER</sup>	±0.2
10 <sup>OVER</sup> 30 <sup>UNDER</sup>	±0.25
30 <sup>OVER</sup>	±0.3

注記 NOTES

- 適合ターミナル : 50212 , 50372 シリーズ  
APPLICABLE TERMINAL : 50212 , 50372 SERIES
- 適合相手 : 53253 , 53254 シリーズ  
MATE WITH : 53253 , 53254 SERIES
- 材質 : PBT , UL94V-0  
MATERIAL : PBT , UL94V-0

△4 オーダー番号 ORDER NO.

51065-\*\*\*0\*

極数  
CIRCUIT SIZE

色番号  
COLOR CODE

0	自然色 ( 白 ) NATURAL (WHITE)
1	黒 BLACK
2	赤 RED
3	黄 YELLOW
4	青 BLUE
6	緑 GREEN


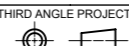
△5 トレードマーク : M プラス1~2文字の製造工場を示すアルファベットにて構成。但し、"J"は JAPAN を示す。(例 MXJ)

FORMED BY M AND FROM 1 TO 2 MORE LETTER OF ALPHABET WHICH MEAN THE MANUFACTORY. BUT "J" MEANS JAPAN. ( TO TRADE MARK ) (e.g. MXJ).

31.8	31.1	28					51065-1501	51065-1500	15
29.8	29.1	26					51065-1401	51065-1400	14
27.8	27.1	24					51065-1301	51065-1300	13
25.8	25.1	22						51065-1200	12
23.8	23.1	20						51065-1100	11
21.8	21.1	18						51065-1000	10
19.8	19.1	16						51065-0900	9
17.8	17.1	14						51065-0800	8
15.8	15.1	12						51065-0700	7
13.8	13.1	10				51065-0602		51065-0600	6
11.8	11.1	8						51065-0500	5
9.8	9.1	6						51065-0400	4
7.8	7.1	4						51065-0300	3
5.8	5.1	2			51065-0203		51065-0201	51065-0200	2
C	B	A	GREEN	BLUE	YELLOW	RED	BLACK	NATURAL	極数

△4 オーダー番号 ORDER NO.

CONNECTOR SERIES NO. 51065-\*\*\*0\*

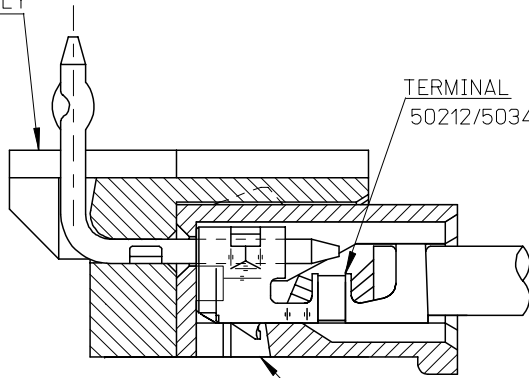
THIS DRAWING CONTAINS INFORMATION THAT IS PROPRIETARY TO MOLEX ELECTRONIC TECHNOLOGIES, LLC AND SHOULD NOT BE USED WITHOUT WRITTEN PERMISSION									
DIMENSION UNITS mm		SCALE 1:1		CURRENT REV DESC: OBSOLETE PART NUMBER					
GENERAL TOLERANCES (UNLESS SPECIFIED)				 NEW 2.0 WIRE TO BOARD CONN RECEPTACLE HOUSING PRODUCT CUSTOMER DRAWING DOCUMENT NUMBER: SD-51065-004 DOC TYPE: PSD DOC PART: 001 REVISION: F MATERIAL NUMBER: SEE TABLE CUSTOMER: GENERAL MARKET SHEET NUMBER: 2 OF 2					
4 PLACES		±							
3 PLACES		±							
2 PLACES		±							
1 PLACE		±							
ANGULAR TOL ± 3.0°				EC NO: 618242		2019/03/11			
DRAFT WHERE APPLICABLE MUST REMAIN WITHIN DIMENSIONS				DRWN: AKUMAR19		2020/02/28			
				CHK'D: GGA		2020/02/28			
				APPR: GGA		2020/02/28			
				INITIAL REVISION:					
				DRWN: S.AIHARA		1989/09/21			
				APPR: M.ENOMOTO		1990/01/18			
THIRD ANGLE PROJECTION		DRAWING		SERIES		MATERIAL NUMBER		CUSTOMER	
		A3-SIZE		51065		SEE TABLE		GENERAL MARKET	

GENERAL TOLERANCES (UNLESS SPECIFIED)		
10 <sup>UNDER</sup>	±0.2	
10 <sup>OVER</sup> 30 <sup>UNDER</sup>	±0.25	
30 <sup>OVER</sup>	±0.3	

10 9 8 7 6 5 4 3 2 1

F

HEADER HOUSING ASSEMBLY  
53254 SERIES



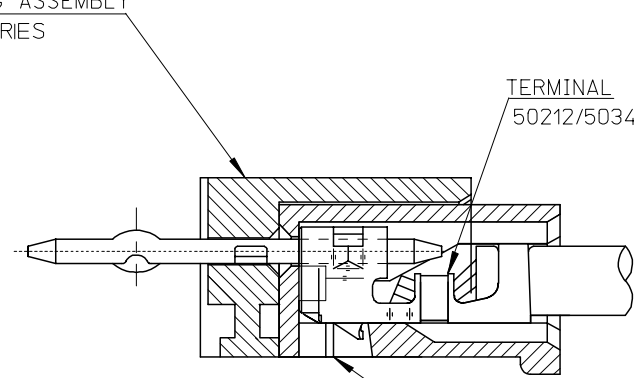
TERMINAL  
50212/50346 SERIES

RECEPTACLE HOUSING  
51065 SERIES

51065シリーズ/53254シリーズ 嵌合状態図 参考  
51065 SERIES/53254 SERIES MATED DRAWING (REF.)

F

HEADER HOUSING ASSEMBLY  
53253 SERIES



TERMINAL  
50212/50346 SERIES

RECEPTACLE HOUSING  
51065 SERIES

51065シリーズ/53253シリーズ 嵌合状態図 参考  
51065 SERIES/53253 SERIES MATED DRAWING (REF.)

E

E

D

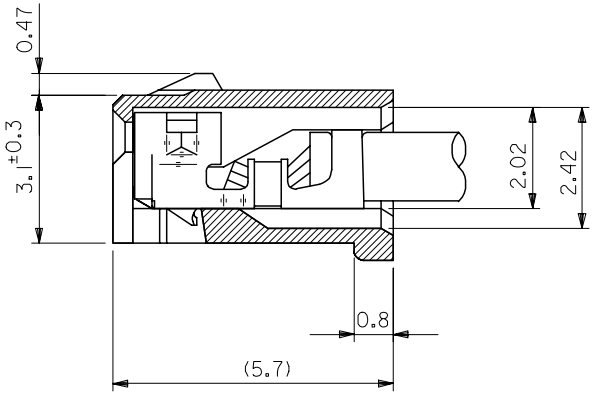
D

C

C

B

B



ターミナル装着状態図  
TERMINAL ASS'Y DWG.

RELEASED EC NO: J2008-2041 DRWN: AOYAGI 2007/11/21 CHKD: THARUYAMA 2007/11/22 APPR: NUKITA 2007/11/22	GENERAL TOLERANCES (UNLESS SPECIFIED)		DIMENSION STYLE MM ONLY	SCALE 10:1	DESIGN UNITS METRIC	THIRD ANGLE PROJECTION
	10 UNDER	±0.2	DRAWN BY Y. AOYAGI	DATE 2007/11/13	TITLE NEW 2.0 W/B CONN. 51065/53253OR51065/53254	
	10 OVER 30 UNDER	±0.25	CHECKED BY N. UKITA	DATE 2007/11/13	MOLEX INCORPORATED DOCUMENT NO. SD-51065-006 SHEET NO. 1 OF 1	
	30 OVER	±0.3	APPROVED BY N. UKITA	DATE 2007/11/13		
	ANGULAR	±1 °	MATERIAL NO.		SEE TABLE	
DRAFT WHERE APPLICABLE MUST REMAIN WITHIN DIMENSIONS		SIZE A3	THIS DRAWING CONTAINS INFORMATION THAT IS PROPRIETARY TO MOLEX INCORPORATED AND SHOULD NOT BE USED WITHOUT WRITTEN PERMISSION			