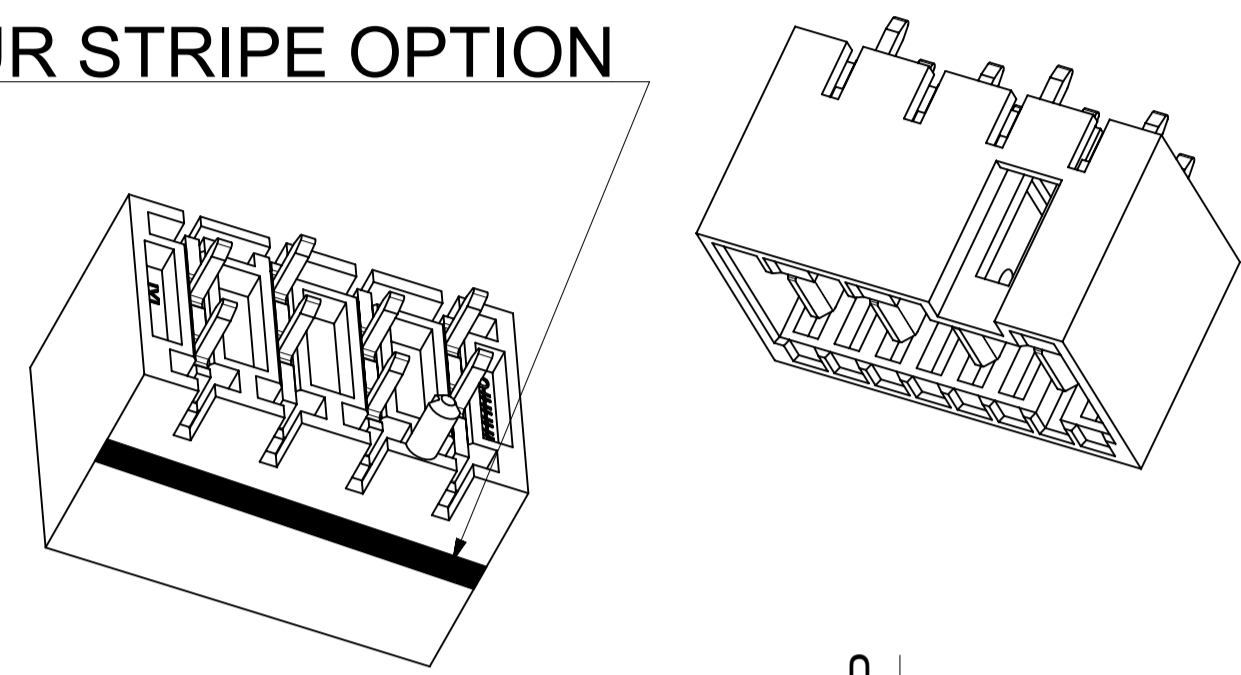




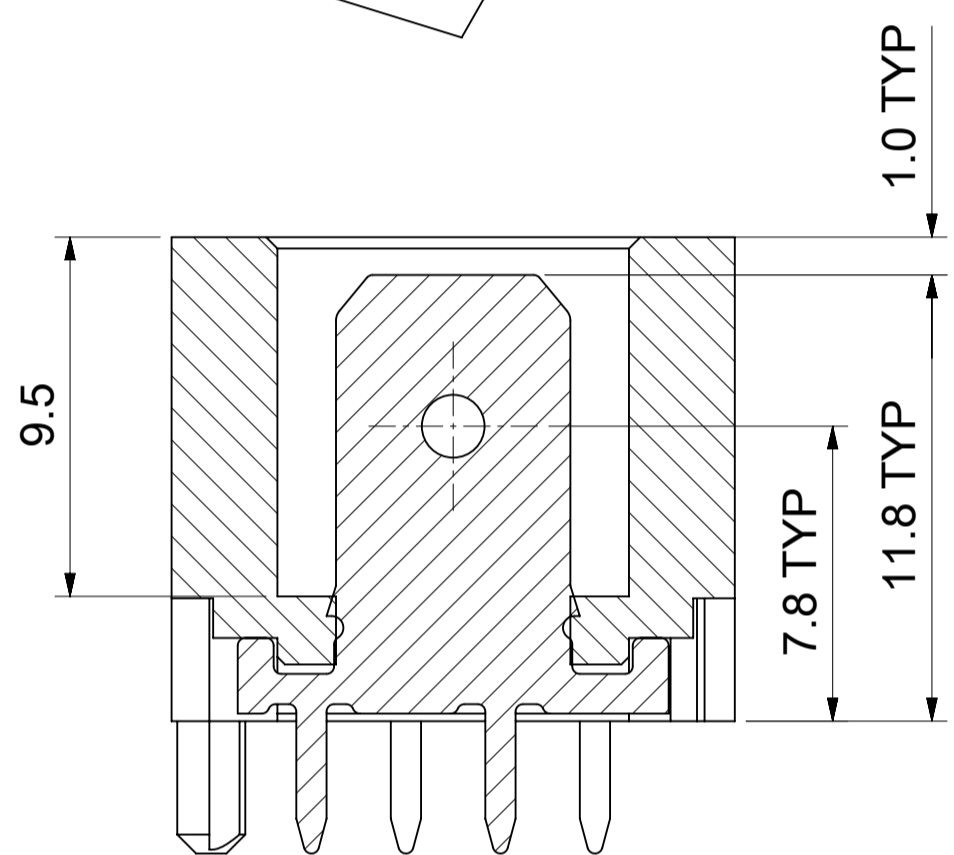
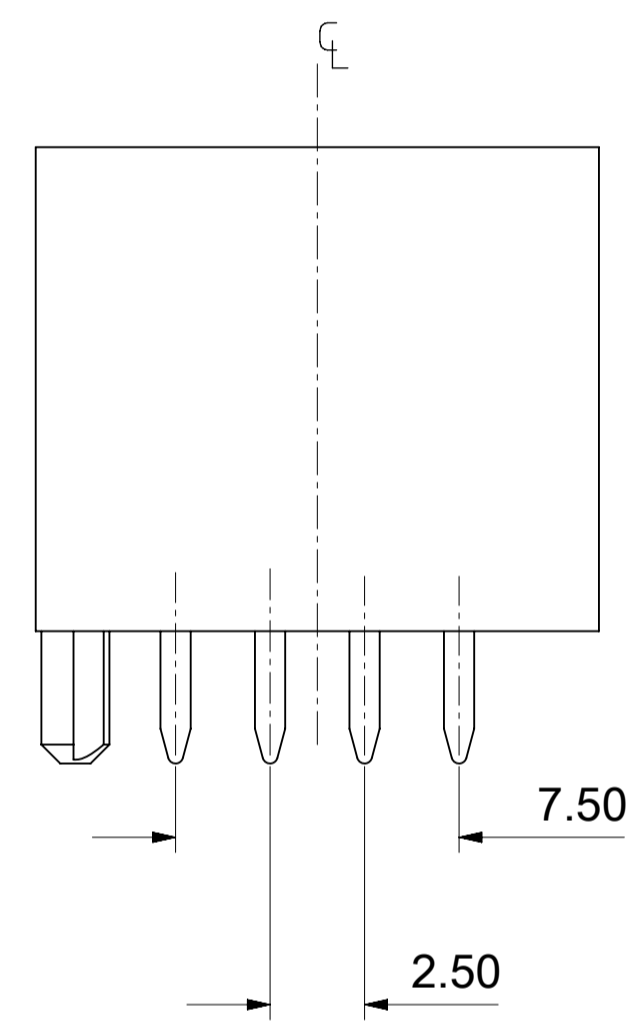
### PCB PIN POLARISATION OPTION A AND B



### COLOUR STRIPE OPTION



### COLOUR STRIPE OPTION

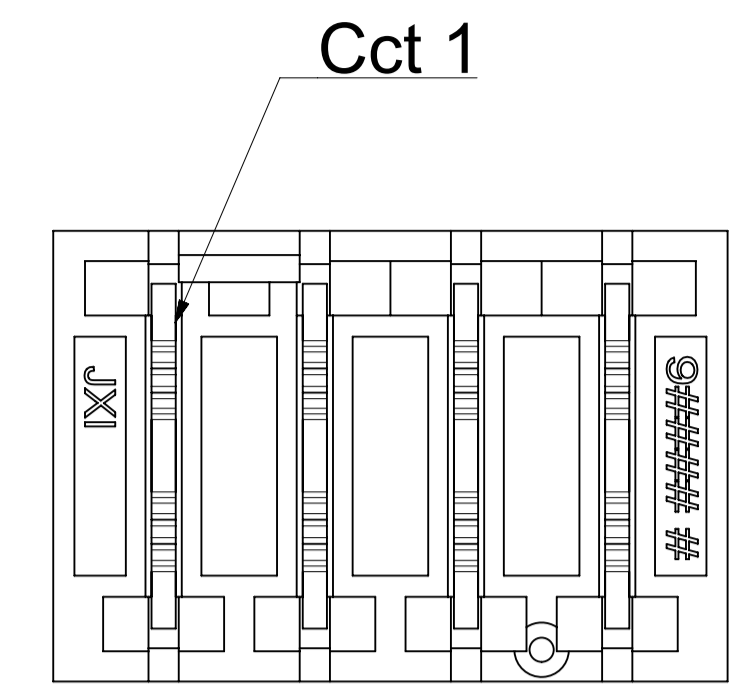


SECTION A-A

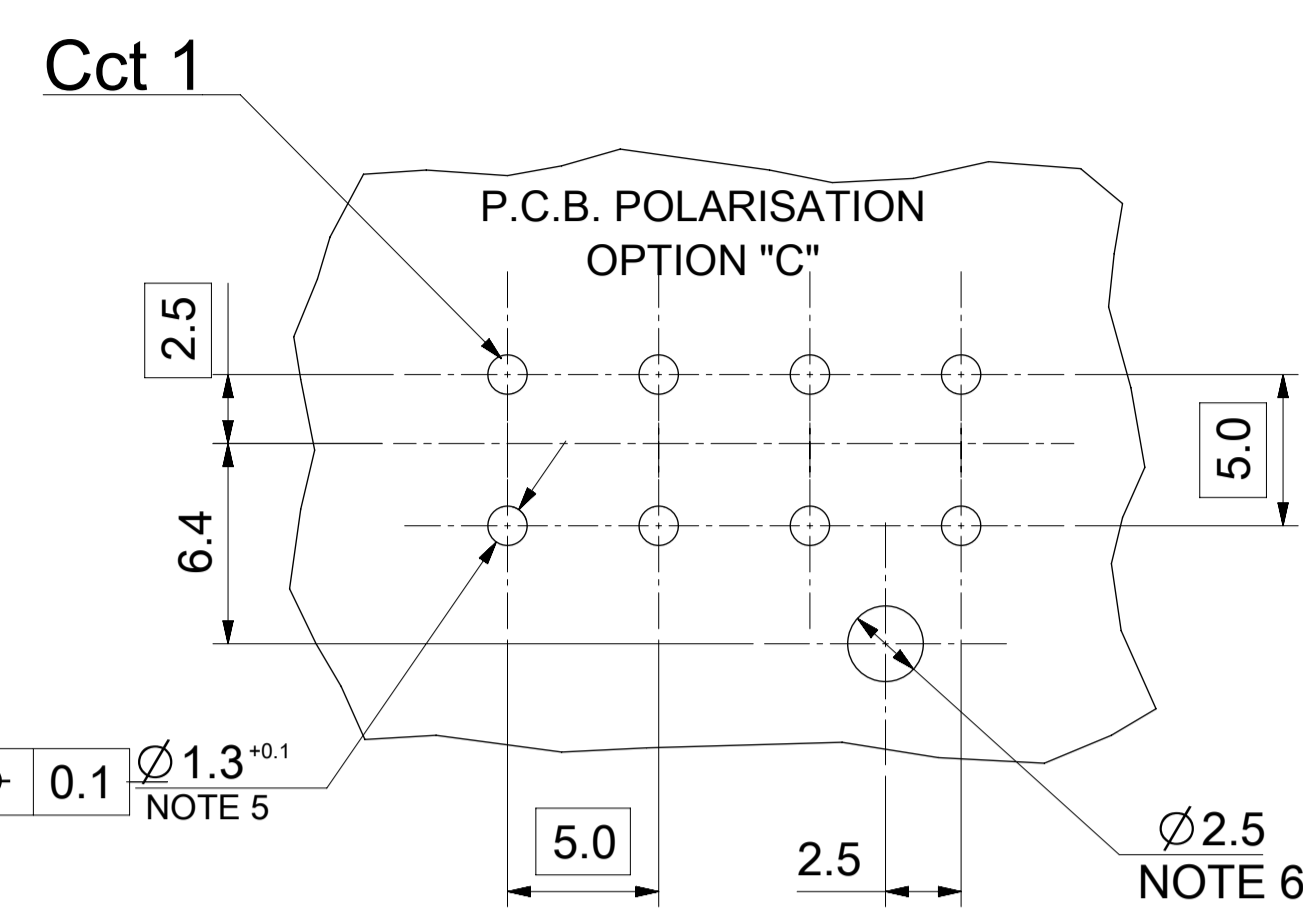
| CCT | DIM A | DIM B | DIM C | TOL     |
|-----|-------|-------|-------|---------|
| 2   | 5.00  | 10.20 | 12.30 | +/-0.30 |
| 3   | 10.00 | 15.20 | 17.30 |         |
| 4   | 15.00 | 20.20 | 22.30 |         |
| 5   | 20.00 | 25.20 | 27.30 |         |
| 6   | 25.00 | 30.20 | 32.30 |         |
| 7   | 30.00 | 35.20 | 37.30 |         |
| 8   | 35.00 | 40.20 | 42.30 |         |
| 9   | 40.00 | 45.20 | 47.30 |         |
| 10  | 45.00 | 50.20 | 52.30 |         |
| 11  | 50.00 | 55.20 | 57.30 |         |
| 12  | 55.00 | 60.20 | 62.30 |         |

- NOTES:
- MATERIALS  
HOUSING: PA 66, UL94 V-0 750°C GWT NO FLAME  
TERMINAL: BRASS 0.80REF. THICK  
PLATING: OPTIONAL (SEE CHARTS SHEETS 2-18)  
TIN PLATING OPTION : 3µm TIN OVER 1.27µm NICKEL ALL AREAS
  - PRODUCT CONFORMS TO SPECIFICATION PS-99020-0037/39
  - MATES WITH MOLEX 91338, 90833, 90835, 91777, 91778, 91779, 91954 & 92000.
  - SEE PACKAGING SPECIFICATION PK-90858-001  
THREE PACKAGING OPTIONS :  
"A" LOOSE IN POLYBAGS IN SHIPPING CARTON
  - PLATED THRU HOLE
  - NON-PLATED THRU HOLE
  - RECOMMENDED PCB THICKNESS: 1.5mm REF
  - PCB VIEW IS FROM SOLDER SIDE

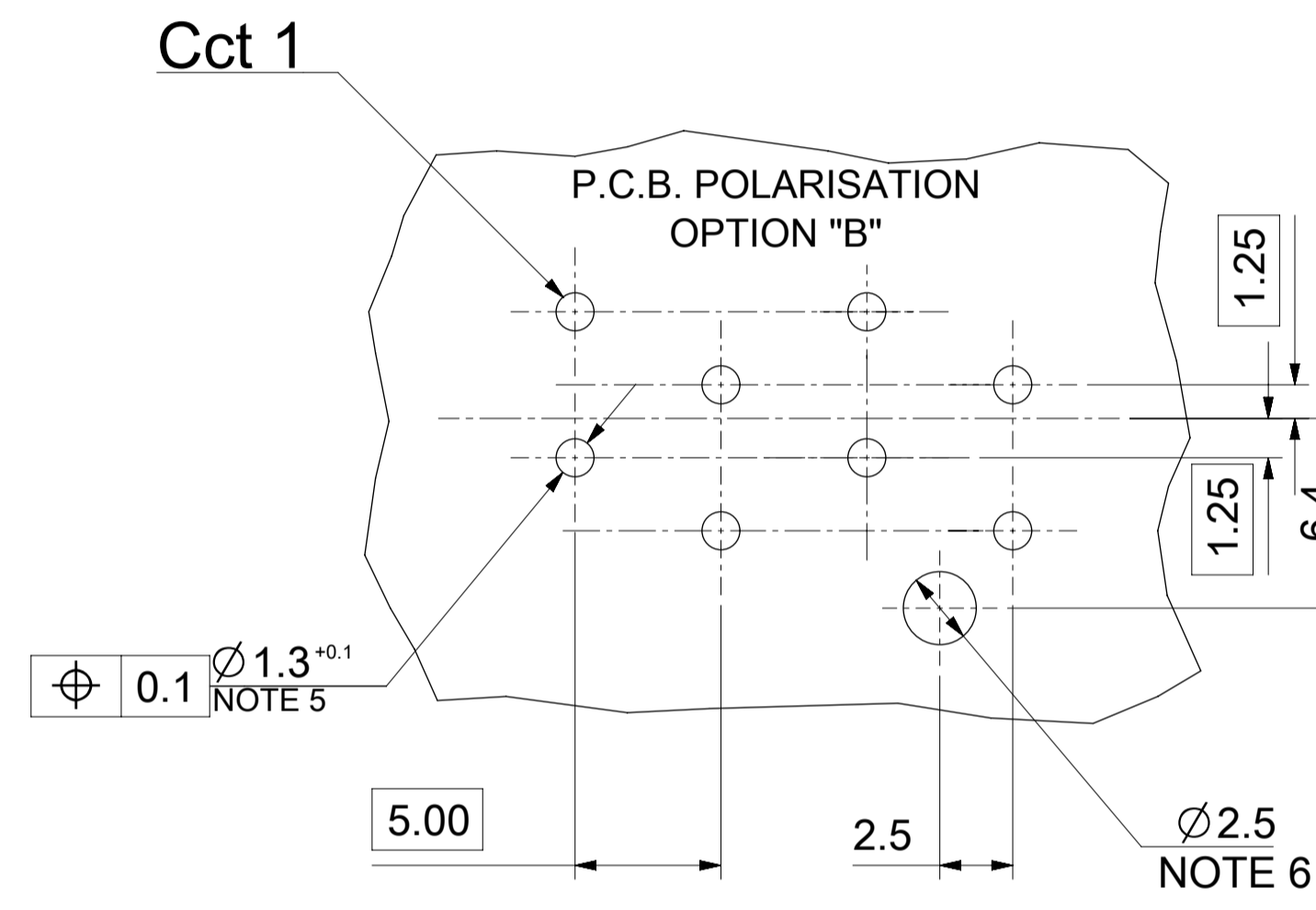
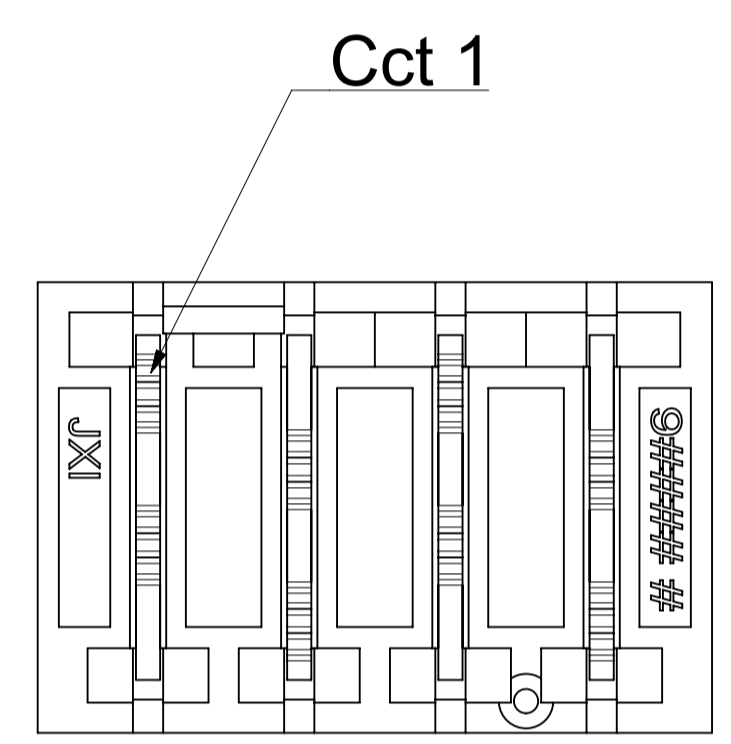
### OPTION "C"



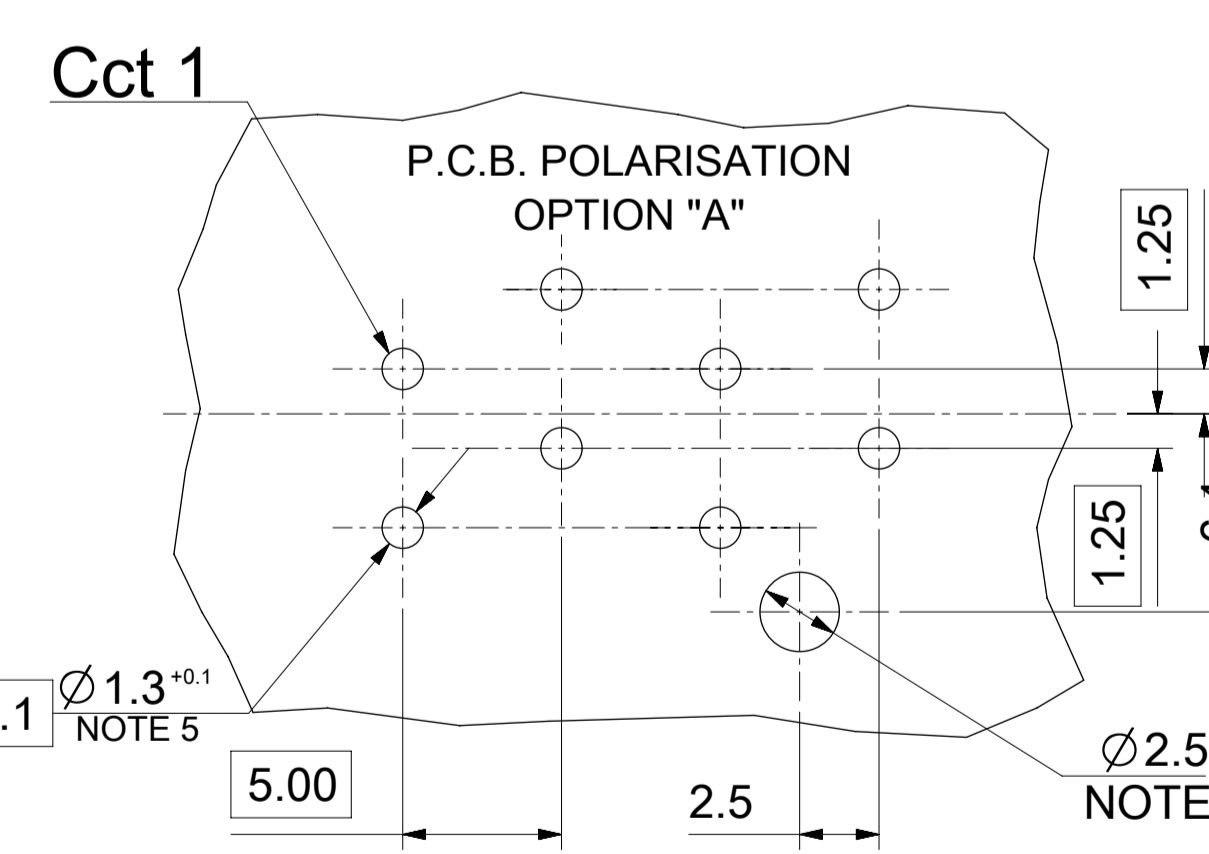
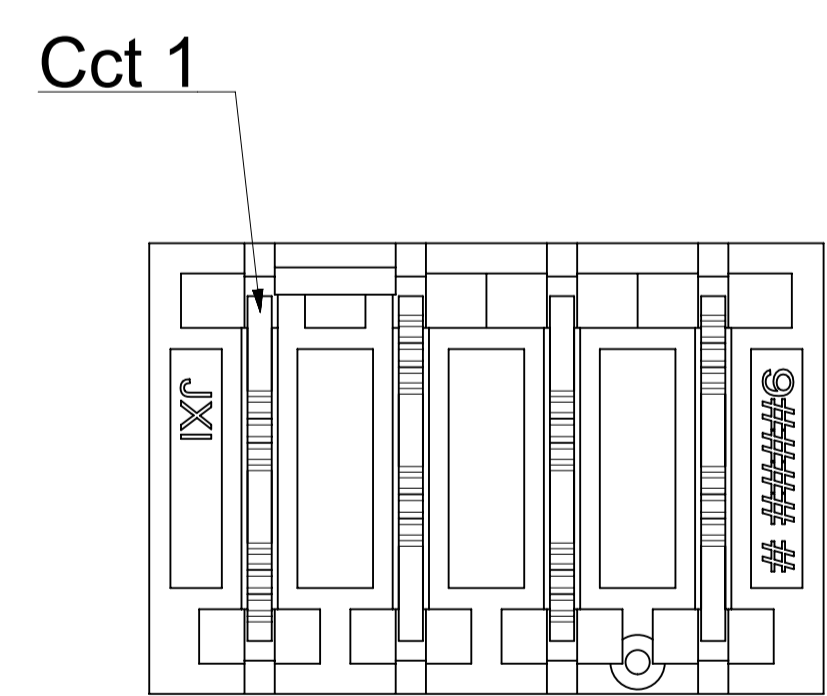
### PCB LAYOUT



### OPTION "B"



### OPTION "A"



THIS DRAWING CONTAINS INFORMATION THAT IS PROPRIETARY TO MOLEX ELECTRONIC TECHNOLOGIES, LLC AND SHOULD NOT BE USED WITHOUT WRITTEN PERMISSION

|  |        |                        |            |                                |                |
|--|--------|------------------------|------------|--------------------------------|----------------|
| DIMENSION UNITS                                      | SCALE  | CURRENT REV DESC:      |            | <b>molex</b>                   |                |
| mm   | 1:1    |                        |            |                                |                |
| GENERAL TOLERANCES (UNLESS SPECIFIED)                |        | EC NO: 746008          |            | RAST 5 VERT HDR PA 66 HOUSING  |                |
| ANGULAR TOL  | ± 2.0° | DRWN: RAHULH3          | 2023/04/10 | PRODUCT CUSTOMER DRAWING       |                |
| 4 PLACES   | ±      | CHK'D: RAHULH3         | 2023/04/14 | DOCUMENT NUMBER                |                |
| 3 PLACES   | ±      | APPR: MRAMAKRISHNA     | 2023/04/14 | DOC TYPE   DOC PART   REVISION |                |
| 2 PLACES   | ± 0.1  | INITIAL REVISION:      |            | 919990001                      |                |
| 1 PLACE  | ± 0.2  | DRWN: AKABADI          | 2017/09/15 | PSD                            | 000            |
| 0 PLACES   | ±      | APPR: BRUTTLE          | 2017/11/10 | 000                            | L4             |
| DRAFT WHERE APPLICABLE MUST REMAIN WITHIN DIMENSIONS |        | THIRD ANGLE PROJECTION | DRAWING    | MATERIAL NUMBER                | CUSTOMER       |
|  |        |                        | A1-SIZE    | SEE SHEETS 2-18                | GENERAL MARKET |
|  |        |                        | SERIES     |                                | SHEET NUMBER   |
|  |        |                        | 91999      |                                | 1 OF 17        |

# 2 CIRCUIT

SEE CODE DESIGNATION TABLE FOR NUMBERING  
FORMAT WHEN ADDING NEW PART NUMBE

| PART NO.<br>(TIN) | TERM NO.<br>(TIN) | MOLEX<br>HOUSING NO. | COLOUR  | UNBLOCKED<br>POSITION KEYS | UNBLOCKED<br>CODING KEYS | LATCH<br>POSITION | CONFIGURATION<br>(SEE NOTES) | TERMINAL<br>VOID CKT | TERM NO.<br>(SILVER) | PART NO.<br>(SILVER) | P.C.B.<br>POLARISATION<br>OPTION | PACKAGING<br>OPTION * | COLOUR<br>STRIPE |
|-------------------|-------------------|----------------------|---------|----------------------------|--------------------------|-------------------|------------------------------|----------------------|----------------------|----------------------|----------------------------------|-----------------------|------------------|
| 91999-0003        | 91703-0002        | 93002-0002           | NATURAL | 1b 2a                      | 01c d20                  | 1/2               |                              | NONE                 | 91703-0003           | 91999-0499           | A                                | A                     | NONE             |
| 91999-0004        | 91703-0002        | 93002-0003           | NATURAL | 1a 2b                      | 01c                      | 1/2               |                              | NONE                 | 91703-0003           | 91999-0482           | A                                | A                     | NONE             |
| 91999-0007        | 91703-0002        | 93002-0004           | NATURAL | 1b 2b                      | 01c                      | 1/2               |                              | NONE                 | 91703-0003           | 91999-0497           | A                                | A                     | NONE             |
| 91999-0018        | 91703-0002        | 93002-0005           | NATURAL | 2a                         | 01c d20                  | 1/2               |                              | NONE                 | 91703-0003           | 91999-0495           | A                                | A                     | NONE             |
| 91999-0019        | 91703-0002        | 93002-0008           | NATURAL | 1a 2b                      | d20                      | 1/2               |                              | NONE                 | 91703-0003           | 91999-0478           | A                                | A                     | NONE             |
| 91999-0021        | 91703-0002        | 93002-0006           | NATURAL | 1b                         | 01c d20                  | 1/2               |                              | NONE                 | 91703-0003           | 91999-0492           | A                                | A                     | NONE             |
| 91999-0022        | 91703-0002        | 93002-0007           | NATURAL | 1a 2b                      | NONE                     | 1/2               |                              | NONE                 | 91703-0003           | 91999-0491           | A                                | A                     | NONE             |
| 91999-0027        | 91703-0002        | 93002-0009           | NATURAL | 2b                         | NONE                     | 1/2               |                              | NONE                 | 91703-0003           | 91999-0487           | A                                | A                     | NONE             |
| 91999-0029        | 91703-0002        | 93002-0010           | NATURAL | 1a 1b                      | d20                      | 1/2               |                              | NONE                 | 91703-0003           | 91999-0486           | A                                | A                     | NONE             |
| 91999-0030        | 91703-0002        | 93002-0011           | NATURAL | 2a 2b                      | NONE                     | 1/2               |                              | NONE                 | 91703-0003           | 91999-0485           | A                                | A                     | NONE             |
| 91999-0032        | 91703-0002        | 93002-0012           | NATURAL | 2b                         | d20                      | 1/2               |                              | NONE                 | 91703-0003           | 91999-0484           | A                                | A                     | NONE             |
| 91999-0047        | 91703-0002        | 93002-0013           | NATURAL | 1a 2a                      | 01c d20                  | 1/2               |                              | NONE                 | 91703-0003           | 91999-0483           | A                                | A                     | NONE             |
| 91999-0055        | 91703-0002        | 93002-0014           | NATURAL | 1a 1b                      | NONE                     | 1/2               |                              | NONE                 | 91703-0003           | 91999-0480           | A                                | A                     | NONE             |
| 91999-0020        | 91703-0002        | 93002-0015           | NATURAL | 1a 1b                      | 01c                      | 1/2               |                              | NONE                 | 91703-0003           | 91999-0475           | A                                | A                     | NONE             |
| 91999-0054        | 91703-0002        | 93002-0016           | NATURAL | 2b                         | 01c d20                  | 1/2               |                              | NONE                 | 91703-0003           | 91999-0476           | A                                | A                     | NONE             |
| 91999-0057        | 91703-0002        | 93002-0017           | NATURAL | 1a                         | 01c d20                  | 1/2               |                              | NONE                 | 91703-0003           | 91999-0477           | A                                | A                     | NONE             |
| 91999-0058        | 91703-0002        | 93002-0018           | NATURAL | 1a 2a                      | 01c                      | 1/2               |                              | NONE                 | 91703-0003           | 91999-0472           | A                                | A                     | NONE             |
| 91999-0059        | 91703-0002        | 93002-0019           | NATURAL | ALL                        | d20                      | 1/2               |                              | NONE                 | 91703-0003           | 91999-0474           | A                                | A                     | NONE             |
| 91999-0060        | 91703-0002        | 93002-0020           | NATURAL | 1b 2a 2b                   | d20                      | 1/2               |                              | NONE                 | 91703-0003           | 91999-0473           | A                                | A                     | NONE             |
| 91999-0061        | 91703-0002        | 93002-0002           | NATURAL | 1b 2a                      | 01c d20                  | 1/2               |                              | NONE                 | 91703-0003           | 91999-0471           | B                                | A                     | NONE             |

NOTES:  
\* SEE SHEET 1 NOTE 4

|   |  |                                     |  |                                     |  |                                |  |   |  |                            |  |
|---|--|-------------------------------------|--|-------------------------------------|--|--------------------------------|--|---|--|----------------------------|--|
| THIS DRAWING CONTAINS INFORMATION THAT IS PROPRIETARY TO MOLEX ELECTRONIC TECHNOLOGIES, LLC AND SHOULD NOT BE USED WITHOUT WRITTEN PERMISSION |  |                                     |  |                                     |  |                                |  |   |  |                            |  |
| DIMENSION UNITS<br><b>mm</b>  |  | SCALE<br><b>1:1</b>                 |  | CURRENT REV DESC:                   |  |                                |  |   |  |                            |  |
| GENERAL TOLERANCES<br>(UNLESS SPECIFIED)  |  |                                     |  | EC NO: 746008                       |  |                                |  |   |  |                            |  |
| ANGULAR TOL ± 2.0°  |  |                                     |  | DRWN: RAHULH3 2023/04/14            |  |                                |  |   |  |                            |  |
| 4 PLACES ±  |  |                                     |  | CHK'D: RAHULH3 2023/04/14           |  |                                |  |   |  |                            |  |
| 3 PLACES ±  |  |                                     |  | APPR: MRAMAKRISHNA 2023/04/14       |  |                                |  |   |  |                            |  |
| 2 PLACES ± 0.1  |  |                                     |  | INITIAL REVISION:                   |  |                                |  |   |  |                            |  |
| 1 PLACE ± 0.2   |  |                                     |  | DRWN: AKABADI 2017/09/15            |  |                                |  |   |  |                            |  |
| 0 PLACES ±  |  |                                     |  | APPR: BRUTTLE 2017/11/10            |  |                                |  |   |  |                            |  |
| DRAFT WHERE APPLICABLE<br>MUST REMAIN<br>WITHIN DIMENSIONS  |  | THIRD ANGLE PROJECTION              |  | DRAWING<br>                         |  | SERIES<br><b>A1-SIZE 91999</b> |  | MATERIAL NUMBER<br>SEE SHEETS 2-18                        |  | CUSTOMER<br>GENERAL MARKET |  |
| DOCUMENT STATUS<br>P1   |  | RELEASE DATE<br>2023/04/14 14:04:31 |  |                                     |  |                                |  | RAST 5 VERT HDR PA 66 HOUSING<br>PRODUCT CUSTOMER DRAWING |  |                            |  |
|   |  |                                     |  | DOCUMENT NUMBER<br><b>919990001</b> |  | DOC TYPE<br>PSD                |  | DOC PART<br>000   |  | REVISION<br><b>L4</b>      |  |
| SHEET NUMBER<br>2 OF 17   |  |                                     |  |                                     |  |                                |  |   |  |                            |  |

# 2 CIRCUIT

SEE CODE DESIGNATION TABLE FOR NUMBERING  
FORMAT WHEN ADDING NEW PART NUMBE

| PART NO.<br>(TIN) | TERM NO.<br>(TIN) | MOLEX<br>HOUSING NO. | COLOUR  | UNBLOCKED<br>POSITION KEYS | UNBLOCKED<br>CODING KEYS | LATCH<br>POSITION | CONFIGURATION<br>(SEE NOTES) | TERMINAL<br>VOID CKT | TERM NO.<br>(SILVER) | PART NO.<br>(SILVER) | P.C.B.<br>POLARISATION<br>OPTION | PACKAGING<br>OPTION * | COLOUR<br>STRIPE |
|-------------------|-------------------|----------------------|---------|----------------------------|--------------------------|-------------------|------------------------------|----------------------|----------------------|----------------------|----------------------------------|-----------------------|------------------|
| 91999-0062        | 91703-0002        | 93002-0021           | NATURAL | 2a                         | 01c                      | 1/2               |                              | NONE                 | 91703-0003           | 91999-0470           | A                                | A                     | NONE             |
| 91999-0063        | 91703-0002        | 93002-0022           | NATURAL | 1b 2a                      | d20                      | 1/2               |                              | NONE                 | 91703-0003           | 91999-0469           | A                                | A                     | NONE             |
| 91999-0064        | 91703-0002        | 93002-0023           | NATURAL | 1a 2b                      | 01c d20                  | 1/2               |                              | NONE                 | 91703-0003           | 91999-0468           | A                                | A                     | NONE             |
| 91999-0067        | 91703-0002        | 93002-0024           | NATURAL | ALL                        | ALL                      | 1/2               |                              | NONE                 | 91703-0003           | 91999-0465           | A                                | A                     | NONE             |
| 91999-0069        | 91703-0002        | 93002-0025           | NATURAL | 1a                         | 01c                      | 1/2               |                              | NONE                 | 91703-0003           | 91999-0463           | A                                | A                     | NONE             |
| 91999-0071        | 91703-0017        | 93002-0004           | NATURAL | 1b 2b                      | 01c                      | 1/2               |                              | NONE                 | 91703-0018           | 91999-0461           | C                                | A                     | NONE             |
| 91999-0042        | 91703-0002        | 93002-0027           | NATURAL | NONE                       | d20                      | 1/2               |                              | NONE                 | 91703-0003           | 91999-0460           | A                                | A                     | NONE             |
| 91999-0072        | 91703-0017        | 93002-0002           | NATURAL | 1b 2a                      | 01c d20                  | 1/2               |                              | NONE                 | 91703-0018           | 91999-0459           | C                                | A                     | NONE             |
| 91999-0073        | 91703-0002        | 93002-0002           | NATURAL | 1b 2a                      | 01c d20                  | 1/2               |                              | NONE                 | 91703-0003           | 91999-0458           | B                                | A                     | NONE             |
| 91999-0074        | 91703-0002        | 93002-0003           | NATURAL | 1a 2b                      | 01c                      | 1/2               |                              | NONE                 | 91703-0003           | 91999-0457           | B                                | A                     | NONE             |
| 91999-0075        | 91703-0017        | 93002-0005           | NATURAL | 2a                         | 01c d20                  | 1/2               |                              | NONE                 | 91703-0018           | 91999-0456           | C                                | A                     | NONE             |
| 91999-0076        | 91703-0002        | 93002-0005           | NATURAL | 2a                         | 01c d20                  | 1/2               |                              | NONE                 | 91703-0003           | 91999-0455           | B                                | A                     | NONE             |
| 91999-0077        | 91703-0002        | 93002-0028           | NATURAL | 1a 2a 2b                   | 01c d20                  | 1/2               |                              | NONE                 | 91703-0003           | 91999-0454           | A                                | A                     | NONE             |
| 91999-0078        | 91703-0002        | 93002-0029           | NATURAL | 1b                         | d20                      | 1/2               |                              | NONE                 | 91703-0003           | 91999-0453           | A                                | A                     | NONE             |
| 91999-0079        | 91703-0002        | 93002-0030           | NATURAL | 1b                         | NONE                     | 1/2               |                              | NONE                 | 91703-0003           | 91999-0452           | A                                | A                     | NONE             |
| 91999-0080        | 91703-0002        | 93002-0031           | NATURAL | NONE                       | 01c d20                  | 1/2               |                              | NONE                 | 91703-0003           | 91999-0451           | A                                | A                     | NONE             |

NOTES:  
\* SEE SHEET 1 NOTE 4

|   |  |                     |  |   |  |                     |  |                                   |  |                                    |  |                            |  |                                     |  |                 |  |                 |  |                       |  |
|---|--|---------------------|--|---|--|---------------------|--|-----------------------------------|--|------------------------------------|--|----------------------------|--|-------------------------------------|--|-----------------|--|-----------------|--|-----------------------|--|
| THIS DRAWING CONTAINS INFORMATION THAT IS PROPRIETARY TO MOLEX ELECTRONIC TECHNOLOGIES, LLC AND SHOULD NOT BE USED WITHOUT WRITTEN PERMISSION |  |                     |  |   |  |                     |  |                                   |  |                                    |  |                            |  |                                     |  |                 |  |                 |  |                       |  |
| DIMENSION UNITS<br><b>mm</b>  |  | SCALE<br><b>1:1</b> |  | CURRENT REV DESC:   |  |                     |  | <br>RAST 5 VERT HDR PA 66 HOUSING |  |                                    |  |                            |  |                                     |  |                 |  |                 |  |                       |  |
| GENERAL TOLERANCES<br>(UNLESS SPECIFIED)  |  |                     |  | EC NO: 746008<br>DRWN: RAHULH3 2023/04/10<br>CHK'D: RAHULH3 2023/04/14<br>APPR: MRAMAKRISHNA 2023/04/14 |  |                     |  |                                   |  |                                    |  |                            |  |                                     |  |                 |  |                 |  |                       |  |
| ANGULAR TOL ± 2.0°  |  | 4 PLACES ±          |  | 3 PLACES ±  |  | 2 PLACES ± 0.1      |  | 1 PLACE ± 0.2                     |  | 0 PLACES ±                         |  | PRODUCT CUSTOMER DRAWING   |  |                                     |  |                 |  |                 |  |                       |  |
| DRAFT WHERE APPLICABLE<br>MUST REMAIN<br>WITHIN DIMENSIONS  |  |                     |  | THIRD ANGLE PROJECTION  |  | DRAWING<br>         |  | SERIES<br><b>A1-SIZE 91999</b>    |  | MATERIAL NUMBER<br>SEE SHEETS 2-18 |  | CUSTOMER<br>GENERAL MARKET |  | DOCUMENT NUMBER<br><b>919990001</b> |  | DOC TYPE<br>PSD |  | DOC PART<br>000 |  | REVISION<br><b>L4</b> |  |
| DOCUMENT STATUS   |  | P1                  |  | RELEASE DATE  |  | 2023/04/14 14:04:31 |  |                                   |  |                                    |  |                            |  |                                     |  |                 |  |                 |  |                       |  |

# 2 CIRCUIT

SEE CODE DESIGNATION TABLE FOR NUMBERING  
FORMAT WHEN ADDING NEW PART NUMBE

| PART NO.<br>(TIN) | TERM NO.<br>(TIN) | MOLEX<br>HOUSING NO. | COLOUR  | UNBLOCKED<br>POSITION KEYS | UNBLOCKED<br>CODING KEYS | LATCH<br>POSITION | CONFIGURATION<br>(SEE NOTES) | TERMINAL<br>VOID CKT | TERM NO.<br>(SILVER) | PART NO.<br>(SILVER) | P.C.B.<br>POLARISATION<br>OPTION | PACKAGING<br>OPTION * | COLOUR<br>STRIPE |
|-------------------|-------------------|----------------------|---------|----------------------------|--------------------------|-------------------|------------------------------|----------------------|----------------------|----------------------|----------------------------------|-----------------------|------------------|
| 91999-0081        | 91703-0002        | 93002-0003           | NATURAL | 1a 2b                      | 01c                      | 1/2               |                              | NONE                 | 91703-0003           | 91999-0450           | A                                | A                     | RED              |
| 91999-0082        | 91703-0002        | 93002-0032           | NATURAL | ALL                        | 01c                      | 1/2               |                              | NONE                 | 91703-0003           | 91999-0449           | A                                | A                     | NONE             |
| 91999-0083        | 91703-0002        | 93002-0033           | NATURAL | 1a 1b 2a                   | NONE                     | 1/2               |                              | NONE                 | 91703-0003           | 91999-0448           | A                                | A                     | NONE             |
| 91999-0084        | 91703-0002        | 93002-0008           | NATURAL | 1a 2b                      | d20                      | 1/2               |                              | CCT 1                | 91703-0003           | 91999-0447           | A                                | A                     | NONE             |
| 91999-0085        | 91703-0002        | 93002-0008           | NATURAL | 1a 2b                      | d20                      | 1/2               |                              | CCT 2                | 91703-0003           | 91999-0446           | A                                | A                     | NONE             |
| 91999-0086        | 91703-0017        | 93002-0008           | NATURAL | 1a 2b                      | d20                      | 1/2               |                              | NONE                 | 91703-0018           | 91999-0445           | C                                | A                     | NONE             |
| 91999-0087        | 91703-0002        | 93002-0034           | NATURAL | 1a                         | NONE                     | 1/2               |                              | NONE                 | 91703-0003           | 91999-0444           | A                                | A                     | NONE             |
| 91999-0088        | 91703-0002        | 93002-0009           | NATURAL | 2b                         | NONE                     | 1/2               |                              | NONE                 | 91703-0003           | 91999-0443           | B                                | A                     | NONE             |
| 91999-0089        | 91703-0002        | 93002-0002           | NATURAL | 1b 2a                      | 01c d20                  | 1/2               |                              | NONE                 | 91703-0003           | 91999-0442           | A                                | A                     | BLACK            |
| 91999-0090        | 91703-0002        | 93002-0036           | NATURAL | 1b 2b                      | 01c d20                  | 1/2               |                              | NONE                 | 91703-0003           | 91999-0496           | A                                | A                     | NONE             |
| 91999-0091        | 91703-0002        | 93002-0035           | NATURAL | 1b 2a 2b                   | 01c d20                  | 1/2               |                              | NONE                 | 91703-0003           | 91999-0441           | A                                | A                     | NONE             |
| 91999-0092        | 91703-0002        | 93002-0024           | NATURAL | 1a 1b 2a 2b                | 01c d20                  | 1/2               |                              | NONE                 | 91703-0003           | 91999-0440           | A                                | A                     | NONE             |
| 91999-0093        | 91703-0002        | 93002-0026           | NATURAL | 2a 2b                      | 01c                      | 1/2               |                              | NONE                 | 91703-0003           | 91999-0439           | A                                | A                     | NONE             |
| 91999-0094        | 91703-0002        | 93002-0016           | NATURAL | 2b                         | 01c d20                  | 1/2               |                              | NONE                 | 91703-0003           | 91999-0438           | B                                | A                     | NONE             |

L4

NOTES:

\* SEE SHEET 1 NOTE 4

|   |  |                        |  |                    |  |            |  |                               |  |                                |  |
|---|--|------------------------|--|--------------------|--|------------|--|-------------------------------|--|--------------------------------|--|
| THIS DRAWING CONTAINS INFORMATION THAT IS PROPRIETARY TO MOLEX ELECTRONIC TECHNOLOGIES, LLC AND SHOULD NOT BE USED WITHOUT WRITTEN PERMISSION |  |                        |  |                    |  |            |  |                               |  |                                |  |
| DIMENSION UNITS<br><b>mm</b>  |  | SCALE<br><b>1:1</b>    |  | CURRENT REV DESC:  |  |            |  |                               |  |                                |  |
| GENERAL TOLERANCES<br>(UNLESS SPECIFIED)  |  |                        |  | EC NO: 746008      |  |            |  |                               |  |                                |  |
| ANGULAR TOL ± 2.0°  |  | 4 PLACES ±             |  | DRWN: RAHULH3      |  | 2023/04/10 |  | RAST 5 VERT HDR PA 66 HOUSING |  |                                |  |
| 3 PLACES ±  |  | 2 PLACES ± 0.1         |  | CHK'D: RAHULH3     |  | 2023/04/14 |  | PRODUCT CUSTOMER DRAWING      |  |                                |  |
| 1 PLACE ± 0.2   |  | 0 PLACES ±             |  | APPR: MRAMAKRISHNA |  | 2023/04/14 |  | INITIAL REVISION:             |  |                                |  |
| DRAFT WHERE APPLICABLE<br>MUST REMAIN<br>WITHIN DIMENSIONS  |  | THIRD ANGLE PROJECTION |  | DRWN: AKABADI      |  | 2017/09/15 |  | DOCUMENT NUMBER               |  | DOC TYPE   DOC PART   REVISION |  |
| DRAWING   |  | SERIES                 |  | APPR: BRUTTLE      |  | 2017/11/10 |  | 919990001                     |  | PSD   000   L4                 |  |
| A1-SIZE   |  | 91999                  |  | MATERIAL NUMBER    |  | CUSTOMER   |  | SEE SHEETS 2-18               |  | GENERAL MARKET   4 OF 17       |  |

# 3 CIRCUIT

SEE CODE DESIGNATION TABLE FOR NUMBERING  
FORMAT WHEN ADDING NEW PART NUMBE

| PART NO.<br>(TIN) | TERM NO.<br>(TIN) | MOLEX<br>HOUSING NO. | COLOUR  | UNBLOCKED<br>POSITION KEYS | UNBLOCKED<br>CODING KEYS | LATCH<br>POSITION | CONFIGURATION<br>(SEE NOTES) | TERMINAL<br>VOID CKT | TERM NO.<br>(SILVER) | PART NO.<br>(SILVER) | P.C.B.<br>POLARISATION<br>OPTION | PACKAGING<br>OPTION * | COLOUR<br>STRIPE |
|-------------------|-------------------|----------------------|---------|----------------------------|--------------------------|-------------------|------------------------------|----------------------|----------------------|----------------------|----------------------------------|-----------------------|------------------|
| 91999-0502        | 91703-0002        | 93002-1000           | NATURAL | 1b                         | 01c d20                  | 1/2               |                              | NONE                 | 91703-0003           | 91999-1249           | A                                | A                     | NONE             |
| 91999-0508        | 91703-0002        | 93002-1001           | NATURAL | 1a                         | 03c                      | 1/2               |                              | NONE                 | 91703-0003           | 91999-1248           | A                                | A                     | NONE             |
| 91999-0511        | 91703-0002        | 93002-1002           | NATURAL | 1a 1b                      | d30                      | 1/2               |                              | NONE                 | 91703-0003           | 91999-1247           | A                                | A                     | NONE             |
| 91999-0512        | 91703-0002        | 93002-1003           | NATURAL | 1a 3b                      | 01c                      | 1/2               |                              | NONE                 | 91703-0003           | 91999-1246           | A                                | A                     | NONE             |
| 91999-0513        | 91703-0002        | 93002-1004           | NATURAL | 1b                         | d20 03c                  | 1/2               |                              | NONE                 | 91703-0003           | 91999-1245           | A                                | A                     | NONE             |
| 91999-0524        | 91703-0002        | 93002-1005           | NATURAL | 1b 2a 2b                   | d30                      | 1/2               |                              | NONE                 | 91703-0003           | 91999-1244           | A                                | A                     | NONE             |
| 91999-0525        | 91703-0002        | 93002-1006           | NATURAL | 2b                         | d20                      | 1/2               |                              | NONE                 | 91703-0003           | 91999-1243           | A                                | A                     | NONE             |
| 91999-0528        | 91703-0002        | 93002-1007           | NATURAL | ALL                        | d10 d30                  | 2/3               |                              | NONE                 | 91703-0003           | 91999-1242           | A                                | A                     | NONE             |
| 91999-0527        | 91703-0002        | 93002-1008           | NATURAL | ALL                        | d20                      | 1/2               |                              | NONE                 | 91703-0003           | 91999-1240           | A                                | A                     | NONE             |
| 91999-0526        | 91703-0002        | 93002-1009           | NATURAL | 2b 3b                      | d10 02c                  | 2/3               |                              | NONE                 | 91703-0003           | 91999-1241           | A                                | A                     | NONE             |
| 91999-0529        | 91703-0002        | 93002-1000           | NATURAL | 1b                         | 01c d20                  | 1/2               |                              | 2                    | 91703-0003           | 91999-1239           | A                                | A                     | NONE             |
| 91999-0530        | 91703-0002        | 93002-1010           | NATURAL | 2b 3b                      | 01c d10<br>02c d30       | 2/3               |                              | NONE                 | 91703-0003           | 91999-1238           | A                                | A                     | NONE             |
| 91999-0531        | 91703-0002        | 93002-1011           | NATURAL | 3b                         | 01c d30                  | 2/3               |                              | NONE                 | 91703-0003           | 91999-1237           | A                                | A                     | NONE             |
| 91999-0532        | 91703-0002        | 93002-1012           | NATURAL | 3b                         | d10 02c                  | 2/3               |                              | NONE                 | 91703-0003           | 91999-1236           | A                                | A                     | NONE             |
| 91999-0534        | 91703-0002        | 93002-1014           | NATURAL | ALL                        | ALL                      | 1/2               |                              | NONE                 | 91703-0003           | 91999-1234           | A                                | A                     | NONE             |
| 91999-0506        | 91703-0002        | 93002-1015           | NATURAL | 1a 3a                      | d20                      | 1/2               |                              | NONE                 | 91703-0003           | 91999-1233           | A                                | A                     | NONE             |
| 91999-0507        | 91703-0002        | 93002-1016           | NATURAL | 2a                         | d10 d30                  | 2/3               |                              | NONE                 | 91703-0003           | 91999-1232           | A                                | A                     | NONE             |
| 91999-0535        | 91703-0002        | 93002-1017           | NATURAL | 3b                         | d10 d30                  | 2/3               |                              | NONE                 | 91703-0003           | 91999-1231           | A                                | A                     | NONE             |
| 91999-0536        | 91703-0002        | 93002-1018           | NATURAL | 1b                         | 01c                      | 1/2               |                              | NONE                 | 91703-0003           | 91999-1230           | A                                | A                     | NONE             |

NOTES:  
\* SEE SHEET 1 NOTE 4

|   |  |                     |  |                        |  |                     |  |                                   |  |   |  |  |  |                       |  |
|---|--|---------------------|--|------------------------|--|---------------------|--|-----------------------------------|--|---|--|--|--|-----------------------|--|
| THIS DRAWING CONTAINS INFORMATION THAT IS PROPRIETARY TO MOLEX ELECTRONIC TECHNOLOGIES, LLC AND SHOULD NOT BE USED WITHOUT WRITTEN PERMISSION |  |                     |  |                        |  |                     |  |                                   |  |   |  |  |  |                       |  |
| DIMENSION UNITS<br><b>mm</b>  |  | SCALE<br><b>1:1</b> |  | CURRENT REV DESC:      |  |                     |  | <br>RAST 5 VERT HDR PA 66 HOUSING |  |   |  |  |  |                       |  |
| GENERAL TOLERANCES<br>(UNLESS SPECIFIED)  |  |                     |  | EC NO: 746008          |  |                     |  |                                   |  |   |  |  |  |                       |  |
| ANGULAR TOL ± 2.0°  |  | 4 PLACES ±          |  | 3 PLACES ±             |  | 2 PLACES ± 0.1      |  | 1 PLACE ± 0.2                     |  | 0 PLACES ±  |  | DRWN: RAHULH3 2023/04/14<br>CHK'D: RAHULH3 2023/04/14<br>APPR: MRAMAKRISHNA 2023/04/14 |  |                       |  |
| DRAFT WHERE APPLICABLE<br>MUST REMAIN<br>WITHIN DIMENSIONS  |  |                     |  | THIRD ANGLE PROJECTION |  | DRAWING<br>         |  | SERIES<br><b>A1-SIZE 91999</b>    |  | INITIAL REVISION:<br>DRWN: AKABADI 2017/09/15<br>APPR: BRUTTLE 2017/11/10 |  | PRODUCT CUSTOMER DRAWING<br>DOCUMENT NUMBER<br><b>919990001</b>                        |  |                       |  |
| DOCUMENT STATUS   |  | P1                  |  | RELEASE DATE           |  | 2023/04/14 14:04:31 |  | MATERIAL NUMBER                   |  | CUSTOMER  |  | PSD 000  |  | REVISION<br><b>L4</b> |  |
| SEE SHEETS 2-18   |  | GENERAL MARKET      |  | SHEET NUMBER           |  | 5 OF 17             |  |                                   |  |   |  |  |  |                       |  |

# 3 CIRCUIT

SEE CODE DESIGNATION TABLE FOR NUMBERING  
FORMAT WHEN ADDING NEW PART NUMBE

| PART NO.<br>(TIN) | TERM NO.<br>(TIN) | MOLEX<br>HOUSING NO. | COLOUR  | UNBLOCKED<br>POSITION KEYS | UNBLOCKED<br>CODING KEYS | LATCH<br>POSITION | CONFIGURATION<br>(SEE NOTES) | TERMINAL<br>VOID CKT | TERM NO.<br>(SILVER) | PART NO.<br>(SILVER) | P.C.B.<br>POLARISATION<br>OPTION | PACKAGING<br>OPTION * | COLOUR<br>STRIPE |
|-------------------|-------------------|----------------------|---------|----------------------------|--------------------------|-------------------|------------------------------|----------------------|----------------------|----------------------|----------------------------------|-----------------------|------------------|
| 91999-0537        | 91703-0017        | 93002-1000           | NATURAL | 1b                         | 01c d20                  | 1/2               |                              | NONE                 | 91703-0018           | 91999-1229           | C                                | A                     | NONE             |
| 91999-0538        | 91703-0017        | 93002-1009           | NATURAL | 2b 3b                      | d10 02c                  | 2/3               |                              | NONE                 | 91703-0018           | 91999-1228           | C                                | A                     | NONE             |
| 91999-0539        | 91703-0002        | 93002-1000           | NATURAL | 1b                         | 01c d20                  | 1/2               |                              | NONE                 | 91703-0003           | 91999-1227           | B                                | A                     | NONE             |
| 91999-0540        | 91703-0002        | 93002-1009           | NATURAL | 2b 3b                      | d10 02c                  | 2/3               |                              | NONE                 | 91703-0003           | 91999-1226           | B                                | A                     | NONE             |
| 91999-0541        | 91703-0002        | 93002-1019           | NATURAL | 2a                         | 01c d30                  | 1/2               |                              | NONE                 | 91703-0003           | 91999-1225           | A                                | A                     | NONE             |
| 91999-0542        | 91703-0002        | 93002-1020           | NATURAL | 3b                         | 01c d30                  | 1/2               |                              | NONE                 | 91703-0003           | 91999-1224           | A                                | A                     | NONE             |
| 91999-0543        | 91703-0002        | 93002-1022           | NATURAL | 1b 2a                      | NONE                     | 1/2               |                              | NONE                 | 91703-0003           | 91999-1223           | A                                | A                     | NONE             |
| 91999-0544        | 91703-0002        | 93002-1030           | NATURAL | 1b 2a 2b 3b                | NONE                     | 2/3               |                              | NONE                 | 91703-0003           | 91999-1222           | A                                | A                     | NONE             |
| 91999-0545        | 91703-0002        | 93002-1025           | NATURAL | 1a 1b                      | d20                      | 1/2               |                              | NONE                 | 91703-0003           | 91999-1221           | A                                | A                     | NONE             |
| 91999-0546        | 91703-0002        | 93002-1026           | NATURAL | 2a 3a                      | 01c d20 03c              | 1/2               |                              | NONE                 | 91703-0003           | 91999-1220           | A                                | A                     | NONE             |
| 91999-0548        | 91703-0002        | 93002-1027           | NATURAL | 1a 3a                      | d30                      | 2/3               |                              | NONE                 | 91703-0003           | 91999-1218           | A                                | A                     | NONE             |
| 91999-0549        | 91703-0002        | 93002-1028           | NATURAL | ALL                        | 01c d10 02c<br>d30       | 2/3               |                              | NONE                 | 91703-0003           | 91999-1217           | A                                | A                     | NONE             |
| 91999-0550        | 91703-0017        | 93002-1029           | NATURAL | 2a                         | d10 02c d30              | 2/3               |                              | NONE                 | 91703-0018           | 91999-1216           | C                                | A                     | NONE             |
| 91999-0551        | 91703-0002        | 93002-1030           | NATURAL | 1b 2a 2b 3b                | NONE                     | 2/3               |                              | NONE                 | 91703-0003           | 91999-1215           | B                                | A                     | NONE             |
| 91999-0552        | 91703-0020        | 93002-1031           | NATURAL | 1b 2b                      | 01c d20                  | 1/2               |                              | NONE                 | 91703-0021           | 91999-1214           | A                                | A                     | NONE             |
| 91999-0553        | 91703-0017        | 93002-1014           | NATURAL | ALL                        | ALL                      | 1/2               |                              | NONE                 | 91703-0018           | 91999-1213           | C                                | A                     | NONE             |
| 91999-0554        | 91703-0002        | 93002-1032           | NATURAL | 1a 3a                      | 03c                      | 1/2               |                              | NONE                 | 91703-0003           | 91999-1212           | A                                | A                     | NONE             |
| 91999-0555        | 91703-0002        | 93002-1033           | NATURAL | 1b 2a 3b                   | 01c d20                  | 1/2               |                              | NONE                 | 91703-0003           | 91999-1211           | A                                | A                     | NONE             |

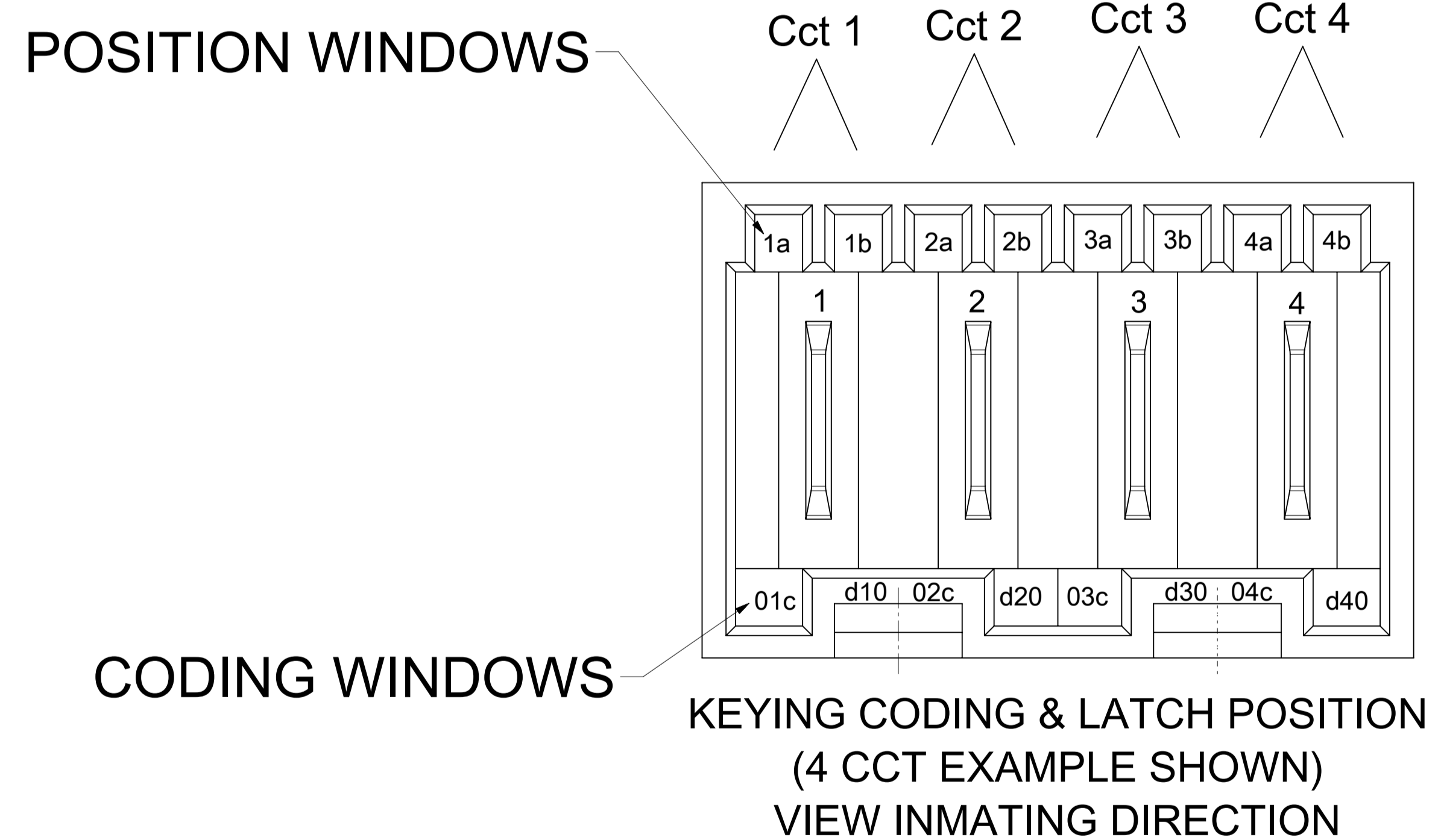
NOTES:  
\* SEE SHEET 1 NOTE 4

|   |  |                     |  |   |  |                |  |                                   |  |                                     |  |                          |  |                        |  |                       |  |
|---|--|---------------------|--|---|--|----------------|--|-----------------------------------|--|-------------------------------------|--|--------------------------|--|------------------------|--|-----------------------|--|
| THIS DRAWING CONTAINS INFORMATION THAT IS PROPRIETARY TO MOLEX ELECTRONIC TECHNOLOGIES, LLC AND SHOULD NOT BE USED WITHOUT WRITTEN PERMISSION |  |                     |  |   |  |                |  |                                   |  |                                     |  |                          |  |                        |  |                       |  |
| DIMENSION UNITS<br><b>mm</b>  |  | SCALE<br><b>1:1</b> |  | CURRENT REV DESC:   |  |                |  | <br>RAST 5 VERT HDR PA 66 HOUSING |  |                                     |  |                          |  |                        |  |                       |  |
| GENERAL TOLERANCES<br>(UNLESS SPECIFIED)  |  |                     |  | EC NO: 746008<br>DRWN: RAHULH3 2023/04/10<br>CHK'D: RAHULH3 2023/04/14<br>APPR: MRAMAKRISHNA 2023/04/14 |  |                |  |                                   |  |                                     |  |                          |  |                        |  |                       |  |
| ANGULAR TOL ± 2.0°  |  | 4 PLACES ±          |  | 3 PLACES ±  |  | 2 PLACES ± 0.1 |  | 1 PLACE ± 0.2                     |  | 0 PLACES ±                          |  | PRODUCT CUSTOMER DRAWING |  |                        |  |                       |  |
| DRAFT WHERE APPLICABLE<br>MUST REMAIN<br>WITHIN DIMENSIONS  |  |                     |  | THIRD ANGLE PROJECTION  |  | DRAWING<br>    |  | SERIES<br><b>A1-SIZE 91999</b>    |  | DOCUMENT NUMBER<br><b>919990001</b> |  | DOC TYPE<br><b>PSD</b>   |  | DOC PART<br><b>000</b> |  | REVISION<br><b>L4</b> |  |
| MATERIAL NUMBER<br>SEE SHEETS 2-18  |  |                     |  | CUSTOMER<br>GENERAL MARKET  |  |                |  | SHEET NUMBER<br>6 OF 17           |  |                                     |  |                          |  |                        |  |                       |  |

# 3 CIRCUIT

SEE CODE DESIGNATION TABLE FOR NUMBERING  
FORMAT WHEN ADDING NEW PART NUMBE

| PART NO.<br>(TIN) | TERM NO.<br>(TIN) | MOLEX<br>HOUSING NO. | COLOUR  | UNBLOCKED<br>POSITION KEYS | UNBLOCKED<br>CODING KEYS | LATCH<br>POSITION | CONFIGURATION<br>(SEE NOTES) | TERMINAL<br>VOID CKT | TERM NO.<br>(SILVER) | PART NO.<br>(SILVER) | P.C.B.<br>POLARISATION<br>OPTION | PACKAGING<br>OPTION * | COLOUR<br>STRIPE |
|-------------------|-------------------|----------------------|---------|----------------------------|--------------------------|-------------------|------------------------------|----------------------|----------------------|----------------------|----------------------------------|-----------------------|------------------|
| 91999-0557        | 91703-0002        | 93002-1034           | NATURAL | 3a                         | 03c d30                  | 1/2               |                              | NONE                 | 91703-0003           | 91999-1209           | A                                | A                     | NONE             |
| 91999-0558        | 91703-0002        | 93002-1025           | NATURAL | 1a 1b                      | d20                      | 1/2               |                              | 2                    | 91703-0003           | 91999-1208           | A                                | A                     | NONE             |
| 91999-0559        | 91703-0002        | 93002-1037           | NATURAL | 1a 3a                      | 01c                      | 1/2               |                              | 2                    | 91703-0003           | 91999-1207           | A                                | A                     | NONE             |
| 91999-0560        | 91703-0002        | 93002-1037           | NATURAL | 1a 3a                      | 01c                      | 1/2               |                              | 2                    | 91703-0003           | 91999-1206           | B                                | A                     | NONE             |
| 91999-0561        | 91703-0002        | 93002-1038           | NATURAL | 2a 2b                      | NONE                     | 2/3               |                              | 2                    | 91703-0003           | 91999-1205           | A                                | A                     | NONE             |
| 91999-0562        | 91703-0002        | 93002-1021           | NATURAL | 1b 3a                      | 01c                      | 1/2               |                              | NONE                 | 91703-0003           | 91999-1204           | A                                | A                     | NONE             |



NOTES:  
\* SEE SHEET 1 NOTE 4

|   |        |  |            |        |                   |  |            |  |  |  |  |
|---|--------|--|------------|--------|-------------------|--|------------|--|--|--|--|
| THIS DRAWING CONTAINS INFORMATION THAT IS PROPRIETARY TO MOLEX ELECTRONIC TECHNOLOGIES, LLC AND SHOULD NOT BE USED WITHOUT WRITTEN PERMISSION |        |  |            |        |                   |  |            |  |  |  |  |
| DIMENSION UNITS   | SCALE  | CURRENT REV DESC:  |            |        |                   |  |            |  |  |  |  |
| mm  | 1:1    | <p><b>molex</b></p> <p>RAST 5 VERT HDR PA 66 HOUSING</p> <p>PRODUCT CUSTOMER DRAWING</p> <p>DOCUMENT NUMBER: 919990001   DOC TYPE: PSD   DOC PART: 000   REVISION: L4</p> <p>MATERIAL NUMBER: SEE SHEETS 2-18   CUSTOMER: GENERAL MARKET   SHEET NUMBER: 7 OF 17</p> |            |        |                   |  |            |  |  |  |  |
| GENERAL TOLERANCES (UNLESS SPECIFIED)   |        |  |            |        |                   |  |            |  |  |  |  |
| ANGULAR TOL   | ± 2.0° |  |            |        |                   |  |            |  |  |  |  |
| 4 PLACES  | ±      |  |            |        |                   |  |            |  |  |  |  |
| 3 PLACES  | ±      |  |            |        |                   |  |            |  |  |  |  |
| 2 PLACES  | ± 0.1  | EC NO: 746008  | 2023/04/14 |        |                   |  |            |  |  |  |  |
| 1 PLACE   | ± 0.2  | DRWN: RAHULH3  | 2023/04/14 |        |                   |  |            |  |  |  |  |
| 0 PLACES  | ±      | CHK'D: RAHULH3   | 2023/04/14 |        |                   |  |            |  |  |  |  |
| DRAFT WHERE APPLICABLE MUST REMAIN WITHIN DIMENSIONS  |        | THIRD ANGLE PROJECTION   | DRAWING    | SERIES | INITIAL REVISION: |  |            |  |  |  |  |
|   |        |  | A1-SIZE    | 91999  | DRWN: AKABADI     |  | 2017/09/15 |  |  |  |  |
|   |        |  |            |        | APPR: BRUTTLE     |  | 2017/11/10 |  |  |  |  |

# 4 CIRCUIT

SEE CODE DESIGNATION TABLE FOR NUMBERING  
FORMAT WHEN ADDING NEW PART NUMBE

| PART NO.<br>(TIN) | TERM NO.<br>(TIN) | MOLEX<br>HOUSING NO. | COLOUR  | UNBLOCKED<br>POSITION KEYS | UNBLOCKED<br>CODING KEYS | LATCH<br>POSITION | CONFIGURATION<br>(SEE NOTES) | TERMINAL<br>VOID CKT | TERM NO.<br>(SILVER) | PART NO.<br>(SILVER) | P.C.B.<br>POLARISATION<br>OPTION | PACKAGING<br>OPTION * | COLOUR<br>STRIPE |
|-------------------|-------------------|----------------------|---------|----------------------------|--------------------------|-------------------|------------------------------|----------------------|----------------------|----------------------|----------------------------------|-----------------------|------------------|
| 91999-1254        | 91703-0002        | 93002-2000           | NATURAL | 1b                         | 03c d40                  | 1/2 3/4           |                              | NONE                 | 91703-0003           | 91999-1999           | A                                | A                     | NONE             |
| 91999-1264        | 91703-0002        | 93002-2001           | NATURAL | 1a 4b                      | d40                      | 1/2 3/4           |                              | NONE                 | 91703-0003           | 91999-1998           | A                                | A                     | NONE             |
| 91999-1265        | 91703-0002        | 93002-2002           | NATURAL | 2a 4b                      | d20                      | 1/2 3/4           |                              | NONE                 | 91703-0003           | 91999-1996           | A                                | A                     | NONE             |
| 91999-1267        | 91703-0002        | 93002-2003           | NATURAL | 1b 2a 3a 4b                | 01c d40                  | 1/2 3/4           |                              | NONE                 | 91703-0003           | 91999-1994           | A                                | A                     | NONE             |
| 91999-1270        | 91703-0002        | 93002-2004           | NATURAL | 1a 2b 4b                   | 01c 03c d40              | 1/2 3/4           |                              | NONE                 | 91703-0003           | 91999-1993           | A                                | A                     | NONE             |
| 91999-1274        | 91703-0002        | 93002-2005           | NATURAL | 1a 3a 3b                   | 01c d20 d40              | 1/2 3/4           |                              | NONE                 | 91703-0003           | 91999-1992           | A                                | A                     | NONE             |
| 91999-1275        | 91703-0002        | 93002-2006           | NATURAL | 1b 2a 4b                   | 01c d20 03c              | 1/2 3/4           |                              | NONE                 | 91703-0003           | 91999-1991           | A                                | A                     | NONE             |
| 91999-1278        | 91703-0002        | 93002-2007           | NATURAL | 1a 3a                      | d40                      | 1/2 3/4           |                              | NONE                 | 91703-0003           | 91999-1987           | A                                | A                     | NONE             |
| 91999-1280        | 91703-0002        | 93002-2008           | NATURAL | 1a 2b<br>3b 4a             | 01c 03c d40              | 1/2 3/4           |                              | NONE                 | 91703-0003           | 91999-1988           | A                                | A                     | NONE             |
| 91999-1281        | 91703-0002        | 93002-2009           | NATURAL | 2a 4b                      | d20 03c                  | 1/2 3/4           |                              | NONE                 | 91703-0003           | 91999-1986           | A                                | A                     | NONE             |
| 91999-1282        | 91703-0002        | 93002-2010           | NATURAL | 3b                         | d30                      | 2/3               |                              | NONE                 | 91703-0003           | 91999-1985           | A                                | A                     | NONE             |
| 91999-1283        | 91703-0002        | 93002-2011           | NATURAL | 1b 2a 4b                   | 01c d20<br>03c d40       | 1/2 3/4           |                              | NONE                 | 91703-0003           | 91999-1984           | A                                | A                     | NONE             |
| 91999-1284        | 91703-0002        | 93002-2012           | NATURAL | 2a 3a 3b 4b                | 01c d20<br>03c d40       | 1/2 3/4           |                              | NONE                 | 91703-0003           | 91999-1983           | A                                | A                     | NONE             |
| 91999-1285        | 91703-0002        | 93002-2013           | NATURAL | 2a 2b 3b 4b                | 01c d20<br>03c d40       | 1/2 3/4           |                              | NONE                 | 91703-0003           | 91999-1982           | A                                | A                     | NONE             |
| 91999-1287        | 91703-0002        | 93002-2015           | NATURAL | 1a 4b                      | 01c                      | 1/2 3/4           |                              | NONE                 | 91703-0003           | 91999-1980           | A                                | A                     | NONE             |
| 91999-1288        | 91703-0002        | 93002-2016           | NATURAL | 1b 2b<br>3b 4a             | 01c 03c<br>d40           | 1/2 3/4           |                              | NONE                 | 91703-0003           | 91999-1979           | A                                | A                     | NONE             |
| 91999-1289        | 91703-0017        | 93002-2000           | NATURAL | 1b                         | 03c d40                  | 1/2 3/4           |                              | NONE                 | 91703-0018           | 91999-1978           | C                                | A                     | NONE             |
| 91999-1290        | 91703-0002        | 93002-2017           | NATURAL | 1b 2a 2b<br>3a 4a 4b       | 03c d40                  | 1/2 3/4           |                              | NONE                 | 91703-0003           | 91999-1977           | A                                | A                     | NONE             |
| 91999-1291        | 91703-0002        | 93002-2018           | NATURAL | ALL                        | ALL                      | 1/2 3/4           |                              | NONE                 | 91703-0003           | 91999-1976           | A                                | A                     | NONE             |

NOTES:  
\* SEE SHEET 1 NOTE 4

|   |  |                     |  |   |  |                |  |                                   |  |                                    |  |                            |  |                                     |  |                 |  |                 |  |                       |  |
|---|--|---------------------|--|---|--|----------------|--|-----------------------------------|--|------------------------------------|--|----------------------------|--|-------------------------------------|--|-----------------|--|-----------------|--|-----------------------|--|
| THIS DRAWING CONTAINS INFORMATION THAT IS PROPRIETARY TO MOLEX ELECTRONIC TECHNOLOGIES, LLC AND SHOULD NOT BE USED WITHOUT WRITTEN PERMISSION |  |                     |  |   |  |                |  |                                   |  |                                    |  |                            |  |                                     |  |                 |  |                 |  |                       |  |
| DIMENSION UNITS<br><b>mm</b>  |  | SCALE<br><b>1:1</b> |  | CURRENT REV DESC:   |  |                |  | <br>RAST 5 VERT HDR PA 66 HOUSING |  |                                    |  |                            |  |                                     |  |                 |  |                 |  |                       |  |
| GENERAL TOLERANCES<br>(UNLESS SPECIFIED)  |  |                     |  | EC NO: 746008<br>DRWN: RAHULH3 2023/04/10<br>CHK'D: RAHULH3 2023/04/14<br>APPR: MRAMAKRISHNA 2023/04/14 |  |                |  |                                   |  |                                    |  |                            |  |                                     |  |                 |  |                 |  |                       |  |
| ANGULAR TOL ± 2.0°  |  | 4 PLACES ±          |  | 3 PLACES ±  |  | 2 PLACES ± 0.1 |  | 1 PLACE ± 0.2                     |  | 0 PLACES ±                         |  | PRODUCT CUSTOMER DRAWING   |  |                                     |  |                 |  |                 |  |                       |  |
| DRAFT WHERE APPLICABLE<br>MUST REMAIN<br>WITHIN DIMENSIONS  |  |                     |  | THIRD ANGLE PROJECTION  |  | DRAWING<br>    |  | SERIES<br><b>A1-SIZE 91999</b>    |  | MATERIAL NUMBER<br>SEE SHEETS 2-18 |  | CUSTOMER<br>GENERAL MARKET |  | DOCUMENT NUMBER<br><b>919990001</b> |  | DOC TYPE<br>PSD |  | DOC PART<br>000 |  | REVISION<br><b>L4</b> |  |



# 4 CIRCUIT

SEE CODE DESIGNATION TABLE FOR NUMBERING  
FORMAT WHEN ADDING NEW PART NUMBE

| PART NO. (TIN) | TERM NO. (TIN) | MOLEX HOUSING NO. | COLOUR  | UNBLOCKED POSITION KEYS | UNBLOCKED CODING KEYS | LATCH POSITION | CONFIGURATION (SEE NOTES) | TERMINAL VOID CKT | TERM NO. (SILVER) | PART NO. (SILVER) | P.C.B. POLARISATION OPTION | PACKAGING OPTION * | COLOUR STRIPE |
|----------------|----------------|-------------------|---------|-------------------------|-----------------------|----------------|---------------------------|-------------------|-------------------|-------------------|----------------------------|--------------------|---------------|
| 91999-1292     | 91703-0002     | 93002-2019        | NATURAL | 1b 2a 3a 4a             | 01c d20 03c           | 1/2 3/4        |                           | NONE              | 91703-0003        | 91999-1975        | A                          | A                  | NONE          |
| 91999-1293     | 91703-0002     | 93002-2020        | NATURAL | 1b 2b 3b 4a             | 01c 03c d40           | 1/2 3/4        |                           | NONE              | 91703-0003        | 91999-1974        | A                          | A                  | NONE          |
| 91999-1294     | 91703-0002     | 93002-2021        | NATURAL | 1a 2a 2b 3a<br>3b 4a 4b | NONE                  | 1/2 3/4        |                           | NONE              | 91703-0003        | 91999-1973        | A                          | A                  | NONE          |
| 91999-1295     | 91703-0002     | 93002-2023        | NATURAL | 1b 3b 4b                | 01c d20 03c           | 1/2 3/4        |                           | NONE              | 91703-0003        | 91999-1972        | A                          | A                  | NONE          |
| 91999-1296     | 91703-0002     | 93002-2000        | NATURAL | 1b                      | 03c d40               | 1/2 3/4        |                           | NONE              | 91703-0003        | 91999-1971        | B                          | A                  | NONE          |
| 91999-1297     | 91703-0002     | 93002-2015        | NATURAL | 1a 4b                   | 01c                   | 1/2 3/4        |                           | NONE              | 91703-0003        | 91999-1970        | B                          | A                  | NONE          |
| 91999-1298     | 91703-0002     | 93002-2026        | RED     | 1a 2a 4b                | 01c d20<br>03c d40    | 1/2 3/4        |                           | NONE              | 91703-0003        | 91999-1969        | A                          | A                  | NONE          |
| 91999-1299     | 91703-0002     | 93002-2027        | GREEN   | 2a 3a 3b 4b             | 01c d20<br>03c d40    | 1/2 3/4        |                           | NONE              | 91703-0003        | 91999-1968        | A                          | A                  | NONE          |
| 91999-1300     | 91703-0002     | 93002-2001        | NATURAL | 1a 4b                   | d40                   | 1/2 3/4        |                           | NONE              | 91703-0003        | 91999-1951        | B                          | A                  | NONE          |
| 91999-1301     | 91703-0002     | 93002-2047        | GREEN   | 1b                      | 03c d40               | 1/2 3/4        |                           | NONE              | 91703-0003        | 91999-1950        | A                          | A                  | NONE          |
| 91999-1255     | 91703-0002     | 93002-2033        | NATURAL | 1b 2a 3a 4b             | 01c d20 03c           | 1/2 3/4        |                           | NONE              | 91703-0003        | 91999-1963        | A                          | A                  | NONE          |
| 91999-1256     | 91703-0002     | 93002-2034        | NATURAL | 1b 2b 3a 4b             | 01c d40               | 1/2 3/4        |                           | NONE              | 91703-0003        | 91999-1962        | A                          | A                  | NONE          |
| 91999-1257     | 91703-0002     | 93002-2035        | NATURAL | 2a 2b 3a 4a             | 01c 03c               | 1/2 3/4        |                           | NONE              | 91703-0003        | 91999-1961        | A                          | A                  | NONE          |
| 91999-1258     | 91703-0017     | 93002-2015        | NATURAL | 1a 4b                   | 01c                   | 1/2 3/4        |                           | NONE              | 91703-0018        | 91999-1960        | C                          | A                  | NONE          |
| 91999-1259     | 91703-0017     | 93002-2010        | NATURAL | 3b                      | d30                   | 2/3            |                           | NONE              | 91703-0018        | 91999-1959        | C                          | A                  | NONE          |
| 91999-1260     | 91703-0017     | 93002-2011        | NATURAL | 1b 2a 4b                | 01c d20<br>03c d40    | 1/2 3/4        |                           | NONE              | 91703-0018        | 91999-1958        | C                          | A                  | NONE          |
| 91999-1261     | 91703-0002     | 93002-2036        | NATURAL | 1b 2a 3a<br>3b 4b       | 01c d20<br>03c d40    | 1/2 3/4        |                           | NONE              | 91703-0003        | 91999-1957        | A                          | A                  | NONE          |
| 91999-1262     | 91703-0002     | 93002-2000        | NATURAL | 1b                      | 03c d40               | 1/2 3/4        |                           | CCT 3             | 91703-0003        | 91999-1956        | A                          | A                  | NONE          |
| 91999-1263     | 91703-0002     | 93002-2037        | NATURAL | 1b 3b                   | d10 03c d40           | 3/4            |                           | NONE              | 91703-0003        | 91999-1955        | A                          | A                  | NONE          |
| 91999-1266     | 91703-0002     | 93002-2038        | NATURAL | 2a 3b 4b                | 01c d20<br>03c d40    | 1/2 3/4        |                           | NONE              | 91703-0003        | 91999-1954        | A                          | A                  | NONE          |

NOTES:  
\* SEE SHEET 1 NOTE 4

|   |  |                     |  |   |  |                |  |                                |  |                |  |
|---|--|---------------------|--|---|--|----------------|--|--------------------------------|--|----------------|--|
| THIS DRAWING CONTAINS INFORMATION THAT IS PROPRIETARY TO MOLEX ELECTRONIC TECHNOLOGIES, LLC AND SHOULD NOT BE USED WITHOUT WRITTEN PERMISSION |  |                     |  |   |  |                |  |                                |  |                |  |
| DIMENSION UNITS<br><b>mm</b>  |  | SCALE<br><b>1:1</b> |  | CURRENT REV DESC:   |  |                |  |                                |  |                |  |
| GENERAL TOLERANCES (UNLESS SPECIFIED)   |  |                     |  | <b>molex</b><br>RAST 5 VERT HDR PA 66 HOUSING<br>PRODUCT CUSTOMER DRAWING                               |  |                |  |                                |  |                |  |
| ANGULAR TOL ± 2.0°  |  |                     |  | EC NO: 746008<br>DRWN: RAHULH3 2023/04/14<br>CHK'D: RAHULH3 2023/04/14<br>APPR: MRAMAKRISHNA 2023/04/14 |  |                |  |                                |  |                |  |
| 4 PLACES ±  |  |                     |  | INITIAL REVISION:   |  |                |  |                                |  |                |  |
| 3 PLACES ±  |  |                     |  | DRWN: AKABADI 2017/09/15<br>APPR: BRUTTLE 2017/11/10  |  |                |  |                                |  |                |  |
| 2 PLACES ± 0.1  |  |                     |  | DOCUMENT NUMBER   |  |                |  | DOC TYPE   DOC PART   REVISION |  |                |  |
| 1 PLACE ± 0.2   |  |                     |  | <b>919990001</b>  |  |                |  | PSD   000   L4                 |  |                |  |
| 0 PLACES ±  |  |                     |  | MATERIAL NUMBER   |  |                |  | CUSTOMER                       |  |                |  |
| DRAFT WHERE APPLICABLE MUST REMAIN WITHIN DIMENSIONS  |  |                     |  | THIRD ANGLE PROJECTION  |  | DRAWING        |  | SERIES                         |  | SHEET NUMBER   |  |
|   |  |                     |  |   |  | <b>A1-SIZE</b> |  | <b>91999</b>                   |  | <b>9 OF 17</b> |  |
| DOCUMENT STATUS   |  |                     |  | P1  |  | RELEASE DATE   |  | 2023/04/14                     |  | 14:04:31       |  |
| 18  |  | 17                  |  | 16  |  | 15             |  | 14                             |  | 13             |  |

# 4 CIRCUIT

SEE CODE DESIGNATION TABLE FOR NUMBERING  
FORMAT WHEN ADDING NEW PART NUMBE

| PART NO.<br>(TIN) | TERM NO.<br>(TIN) | MOLEX<br>HOUSING NO. | COLOUR  | UNBLOCKED<br>POSITION KEYS | UNBLOCKED<br>CODING KEYS | LATCH<br>POSITION | CONFIGURATION<br>(SEE NOTES) | TERMINAL<br>VOID CKT | TERM NO.<br>(SILVER) | PART NO.<br>(SILVER) | P.C.B.<br>POLARISATION<br>OPTION | PACKAGING<br>OPTION * | COLOUR<br>STRIPE |
|-------------------|-------------------|----------------------|---------|----------------------------|--------------------------|-------------------|------------------------------|----------------------|----------------------|----------------------|----------------------------------|-----------------------|------------------|
| 91999-1268        | 91703-0002        | 93002-2039           | NATURAL | 1b                         | 01c d20<br>03c d40       | 1/2 3/4           |                              | NONE                 | 91703-0003           | 91999-1953           | A                                | A                     | NONE             |
| 91999-1269        | 91703-0017        | 93002-2002           | NATURAL | 2a 4b                      | d20                      | 1/2 3/4           |                              | NONE                 | 91703-0018           | 91999-1989           | C                                | A                     | NONE             |
| 91999-1253        | 91703-0017        | 93002-2004           | NATURAL | 1a 2b 4b                   | 01c 03c d40              | 1/2 3/4           |                              | NONE                 | 91703-0018           | 91999-1952           | C                                | A                     | NONE             |
| 91999-7000        | 91703-0002        | 93002-2999           | NATURAL | 1b 2b 3b 4a                | 01c 03c d40              | 1/2 3/4           |                              | NONE                 | 91703-0003           | 91999-7500           | A                                | A                     | NONE             |
| 91999-7001        | 91703-0002        | 93002-2040           | NATURAL | 1a 1b 2a<br>3b 4a 4b       | 01c 02c<br>03c d40       | 3/4               |                              | NONE                 | 91703-0003           | 91999-7501           | A                                | A                     | NONE             |
| 91999-7002        | 91703-0002        | 93002-2041           | NATURAL | 1a                         | 01c d20<br>03c           | 1/2               |                              | NONE                 | 91703-0003           | 91999-7502           | A                                | A                     | NONE             |
| 91999-7003        | 91703-0002        | 93002-2042           | NATURAL | 2a 2b 3b 4a                | 01c 03c<br>d40           | 1/2               |                              | NONE                 | 91703-0003           | 91999-7503           | A                                | A                     | NONE             |
| 91999-7004        | 91703-0017        | 93002-2036           | NATURAL | 1b 2a 3a<br>3b 4b          | 01c d20<br>03c d40       | 1/2 3/4           |                              | NONE                 | 91703-0018           | 91999-7504           | C                                | A                     | NONE             |
| 91999-7005        | 91703-0002        | 93002-2044           | NATURAL | 2a 3b                      | 01c d40                  | 1/2 3/4           |                              | NONE                 | 91703-0003           | 91999-7505           | A                                | A                     | NONE             |
| 91999-7006        | 91703-0002        | 93002-2046           | NATURAL | 1b 2a 3a 4b                | d20 03c                  | 1/2 3/4           |                              | NONE                 | 91703-0003           | 91999-7506           | A                                | A                     | NONE             |
| 91999-1279        | 91703-0002        | 93002-2028           | NATURAL | 1b 2a 4b                   | d20 03c d40              | 1/2 3/4           |                              | NONE                 | 91703-0003           | 91999-1967           | A                                | A                     | NONE             |
| 91999-1251        | 91703-0002        | 93002-2029           | NATURAL | 1a 3b 4a                   | 01c d20 d40              | 1/2 3/4           |                              | NONE                 | 91703-0003           | 91999-1966           | A                                | A                     | NONE             |
| 91999-1252        | 91703-0002        | 93002-2030           | NATURAL | 1a 2b 3b 4a                | d20 d40                  | 1/2 3/4           |                              | NONE                 | 91703-0003           | 91999-1965           | A                                | A                     | NONE             |
| 91999-1302        | 91703-0002        | 93002-2000           | NATURAL | 1b                         | 03c d40                  | 1/2 3/4           |                              | CCT 3                | 91703-0003           | 91999-1952           | B                                | A                     | NONE             |

NOTES:

\* SEE SHEET 1 NOTE 4

|   |  |                     |  |                        |  |                |  |                          |  |                 |  |                               |  |                |  |
|---|--|---------------------|--|------------------------|--|----------------|--|--------------------------|--|-----------------|--|-------------------------------|--|----------------|--|
| THIS DRAWING CONTAINS INFORMATION THAT IS PROPRIETARY TO MOLEX ELECTRONIC TECHNOLOGIES, LLC AND SHOULD NOT BE USED WITHOUT WRITTEN PERMISSION |  |                     |  |                        |  |                |  |                          |  |                 |  |                               |  |                |  |
| DIMENSION UNITS<br><b>mm</b>  |  | SCALE<br><b>1:1</b> |  | CURRENT REV DESC:      |  |                |  | <b>molex</b>             |  |                 |  |                               |  |                |  |
| GENERAL TOLERANCES<br>(UNLESS SPECIFIED)  |  |                     |  | EC NO: 746008          |  |                |  |                          |  |                 |  |                               |  |                |  |
| ANGULAR TOL ± 2.0°  |  | 4 PLACES ±          |  | 3 PLACES ±             |  | 2 PLACES ± 0.1 |  | 1 PLACE ± 0.2            |  | 0 PLACES ±      |  | RAST 5 VERT HDR PA 66 HOUSING |  |                |  |
| DRAFT WHERE APPLICABLE<br>MUST REMAIN<br>WITHIN DIMENSIONS  |  |                     |  | THIRD ANGLE PROJECTION |  | DRAWING        |  | SERIES                   |  | MATERIAL NUMBER |  | CUSTOMER                      |  | SHEET NUMBER   |  |
| P1  |  | RELEASE DATE        |  | 2023/04/14             |  | 14:04:31       |  | A1-SIZE                  |  | 91999           |  | SEE SHEETS 2-18               |  | GENERAL MARKET |  |
| DRWN: RAHULH3   |  |                     |  | 2023/04/14             |  |                |  | PRODUCT CUSTOMER DRAWING |  |                 |  |                               |  |                |  |
| CHK'D: RAHULH3  |  |                     |  | 2023/04/14             |  |                |  | DOCUMENT NUMBER          |  |                 |  |                               |  |                |  |
| APPR: MRAMAKRISHNA  |  |                     |  | 2023/04/14             |  |                |  | 919990001                |  |                 |  |                               |  |                |  |
| INITIAL REVISION:   |  |                     |  | DRWN: AKABADI          |  |                |  | 2017/09/15               |  |                 |  |                               |  |                |  |
| APPR: BRUTTLE   |  |                     |  | 2017/11/10             |  |                |  | PSD 000 L4               |  |                 |  |                               |  |                |  |
| 10 OF 17  |  |                     |  | 10 OF 17               |  |                |  | 10 OF 17                 |  |                 |  |                               |  |                |  |

# 5 CIRCUIT

SEE CODE DESIGNATION TABLE FOR NUMBERING  
FORMAT WHEN ADDING NEW PART NUMBE

| PART NO.<br>(TIN) | TERM NO.<br>(TIN) | MOLEX<br>HOUSING NO. | COLOUR  | UNBLOCKED<br>POSITION KEYS | UNBLOCKED<br>CODING KEYS | LATCH<br>POSITION | CONFIGURATION<br>(SEE NOTES) | TERMINAL<br>VOID CKT | TERM NO.<br>(SILVER) | PART NO.<br>(SILVER) | P.C.B.<br>POLARISATION<br>OPTION | PACKAGING<br>OPTION * | COLOUR<br>STRIPE |
|-------------------|-------------------|----------------------|---------|----------------------------|--------------------------|-------------------|------------------------------|----------------------|----------------------|----------------------|----------------------------------|-----------------------|------------------|
| 91999-2000        | 91703-0002        | 93002-3000           | NATURAL | 1a 5b                      | 01c d30                  | 1/2 2/3           |                              | NONE                 | 91703-0003           | 91999-2749           | A                                | A                     | NONE             |
| 91999-2001        | 91703-0002        | 93002-3001           | NATURAL | 1a 3a                      | 01c d30                  | 1/2 4/5           |                              | NONE                 | 91703-0003           | 91999-2748           | A                                | A                     | NONE             |
| 91999-2002        | 91703-0002        | 93002-3002           | NATURAL | 1a 5b                      | 01c d20<br>03c d50       | 1/2 3/4           |                              | NONE                 | 91703-0003           | 91999-2747           | A                                | A                     | NONE             |
| 91999-2003        | 91703-0002        | 93002-3003           | NATURAL | 1b 2a 3b 5a                | 01c 03c                  | 1/2 3/4           |                              | NONE                 | 91703-0003           | 91999-2746           | A                                | A                     | NONE             |
| 91999-2004        | 91703-0002        | 93002-3004           | NATURAL | 1a 2a 2b 4b 5b             | 01c d30<br>04c d50       | 1/2 2/3 4/5       |                              | NONE                 | 91703-0003           | 91999-2745           | A                                | A                     | NONE             |
| 91999-2006        | 91703-0002        | 93002-3005           | NATURAL | 2a                         | 01c d50                  | 2/3 4/5           |                              | NONE                 | 91703-0003           | 91999-2742           | A                                | A                     | NONE             |
| 91999-2012        | 91703-0002        | 93002-3006           | NATURAL | 2a 4b                      | 01c d20 d40              | 1/2 3/4           |                              | NONE                 | 91703-0003           | 91999-2743           | A                                | A                     | NONE             |
| 91999-2013        | 91703-0002        | 93002-3007           | NATURAL | 2b                         | d20                      | 1/2 4/5           |                              | NONE                 | 91703-0003           | 91999-2741           | A                                | A                     | NONE             |
| 91999-2014        | 91703-0002        | 93002-3008           | NATURAL | 4b 5a                      | 01c d30<br>04c d50       | 1/2 4/5           |                              | NONE                 | 91703-0003           | 91999-2740           | A                                | A                     | NONE             |
| 91999-2015        | 91703-0002        | 93002-3009           | NATURAL | NONE                       | 01c d40                  | 1/2 3/4           |                              | NONE                 | 91703-0003           | 91999-2739           | A                                | A                     | NONE             |
| 91999-2017        | 91703-0002        | 93002-3010           | NATURAL | 1a 4a                      | d30                      | 1/2 4/5           |                              | NONE                 | 91703-0003           | 91999-2737           | A                                | A                     | NONE             |
| 91999-2024        | 91703-0002        | 93002-3011           | NATURAL | 1a 5b                      | d20 d40                  | 1/2 3/4           |                              | NONE                 | 91703-0003           | 91999-2732           | A                                | A                     | NONE             |
| 91999-2025        | 91703-0002        | 93002-3019           | NATURAL | 2b                         | d20 d50                  | 1/2 3/4           |                              | NONE                 | 91703-0003           | 91999-2733           | A                                | A                     | NONE             |
| 91999-2006        | 91703-0002        | 93002-3005           | NATURAL | 2a                         | 01c d50                  | 2/3 4/5           |                              | NONE                 | 91703-0003           | 91999-2742           | A                                | A                     | NONE             |
| 91999-2027        | 91703-0002        | 93002-3020           | NATURAL | 1a 3a 4b 5a                | 03c 04c                  | 1/2 4/5           |                              | NONE                 | 91703-0003           | 91999-2735           | A                                | A                     | NONE             |
| 91999-2029        | 91703-0002        | 93002-3016           | NATURAL | 1b 2a 4a                   | 01c 04c d50              | 1/2 4/5           |                              | NONE                 | 91703-0003           | 91999-2730           | A                                | A                     | NONE             |
| 91999-2030        | 91703-0002        | 93002-3017           | NATURAL | 2b 3b 4a                   | 01c d20 d40              | 1/2 3/4           |                              | NONE                 | 91703-0003           | 91999-2729           | A                                | A                     | NONE             |
| 91999-2031        | 91703-0002        | 93002-3022           | NATURAL | 1a 5b                      | 01c d20 03c<br>d50       | 1/2 4/5           |                              | NONE                 | 91703-0003           | 91999-2728           | A                                | A                     | NONE             |
| 91999-2032        | 91703-0002        | 93002-3023           | NATURAL | 1a 1b 4a                   | d30 04c d50              | 1/2 4/5           |                              | NONE                 | 91703-0003           | 91999-2727           | A                                | A                     | NONE             |

NOTES:  
\* SEE SHEET 1 NOTE 4

|   |  |                     |  |                        |  |            |  |                                   |  |                 |  |
|---|--|---------------------|--|------------------------|--|------------|--|-----------------------------------|--|-----------------|--|
| THIS DRAWING CONTAINS INFORMATION THAT IS PROPRIETARY TO MOLEX ELECTRONIC TECHNOLOGIES, LLC AND SHOULD NOT BE USED WITHOUT WRITTEN PERMISSION |  |                     |  |                        |  |            |  |                                   |  |                 |  |
| DIMENSION UNITS<br><b>mm</b>  |  | SCALE<br><b>1:1</b> |  | CURRENT REV DESC:      |  |            |  | <br>RAST 5 VERT HDR PA 66 HOUSING |  |                 |  |
| GENERAL TOLERANCES<br>(UNLESS SPECIFIED)  |  |                     |  | EC NO: 746008          |  |            |  |                                   |  |                 |  |
| ANGULAR TOL ± 2.0°  |  | 4 PLACES ±          |  | DRWN: RAHULH3          |  | 2023/04/14 |  | PRODUCT CUSTOMER DRAWING          |  |                 |  |
| 3 PLACES ±  |  | 2 PLACES ± 0.1      |  | CHK'D: RAHULH3         |  | 2023/04/14 |  | DOCUMENT NUMBER                   |  |                 |  |
| 1 PLACE ± 0.2   |  | 0 PLACES ±          |  | APPR: MRAMAKRISHNA     |  | 2023/04/14 |  | DOC TYPE   DOC PART   REVISION    |  |                 |  |
| DRAFT WHERE APPLICABLE<br>MUST REMAIN<br>WITHIN DIMENSIONS  |  |                     |  | THIRD ANGLE PROJECTION |  | DRAWING    |  | SERIES                            |  | MATERIAL NUMBER |  |
| A1-SIZE   |  | 91999               |  | DRWN: AKABADI          |  | 2017/09/15 |  | CUSTOMER                          |  | SHEET NUMBER    |  |
| SEE SHEETS 2-18   |  | GENERAL MARKET      |  | APPR: BRUTTLE          |  | 2017/11/10 |  | 919990001                         |  | 11 OF 17        |  |

# 5 CIRCUIT

SEE CODE DESIGNATION TABLE FOR NUMBERING  
FORMAT WHEN ADDING NEW PART NUMBE

| PART NO.<br>(TIN) | TERM NO.<br>(TIN) | MOLEX<br>HOUSING NO. | COLOUR  | UNBLOCKED<br>POSITION KEYS | UNBLOCKED<br>CODING KEYS | LATCH<br>POSITION | CONFIGURATION<br>(SEE NOTES) | TERMINAL<br>VOID CKT | TERM NO.<br>(SILVER) | PART NO.<br>(SILVER) | P.C.B.<br>POLARISATION<br>OPTION | PACKAGING<br>OPTION * | COLOUR<br>STRIPE |
|-------------------|-------------------|----------------------|---------|----------------------------|--------------------------|-------------------|------------------------------|----------------------|----------------------|----------------------|----------------------------------|-----------------------|------------------|
| 91999-2033        | 91703-0002        | 93002-3002           | NATURAL | 1a 5b                      | 01c d20 03c<br>d50       | 1/2 3/4           |                              | NONE                 | 91703-0003           | 91999-2726           | B                                | A                     | NONE             |
| 91999-2034        | 91703-0017        | 93002-3001           | NATURAL | 1a 3a                      | 01c d30                  | 1/2 4/5           |                              | NONE                 | 91703-0018           | 91999-2725           | C                                | A                     | NONE             |
| 91999-2035        | 91703-0002        | 93002-3024           | NATURAL | ALL                        | ALL                      | 1/2 3/4           |                              | NONE                 | 91703-0003           | 91999-2724           | A                                | A                     | NONE             |
| 91999-2036        | 91703-0017        | 93002-3000           | NATURAL | 1a 5b                      | 01c d30                  | 1/2 2/3           |                              | NONE                 | 91703-0018           | 91999-2723           | C                                | A                     | NONE             |
| 91999-2038        | 91703-0002        | 93002-3000           | NATURAL | 1a 5b                      | 01c d30                  | 1/2 2/3           |                              | NONE                 | 91703-0003           | 91999-2721           | B                                | A                     | NONE             |
| 91999-2039        | 91703-0017        | 93002-3003           | NATURAL | 1b 2a 3b 5a                | 01c 03c                  | 1/2 3/4           |                              | NONE                 | 91703-0018           | 91999-2720           | C                                | A                     | NONE             |
| 91999-2040        | 91703-0002        | 93002-3003           | NATURAL | 1b 2a 3b 5a                | 01c 03c                  | 1/2 3/4           |                              | NONE                 | 91703-0003           | 91999-2719           | B                                | A                     | NONE             |
| 91999-2041        | 91703-0002        | 93002-3026           | NATURAL | 2a 2b 3b 4a                | d20 d40                  | 1/2 3/4           |                              | NONE                 | 91703-0003           | 91999-2718           | A                                | A                     | NONE             |
| 91999-2042        | 91703-0017        | 93002-3002           | NATURAL | 1a 5b                      | 01c d20 03c d50          | 1/2 3/4           |                              | NONE                 | 91703-0018           | 91999-2717           | C                                | A                     | NONE             |
| 91999-2043        | 91703-0002        | 93002-3029           | NATURAL | 1b 3b 4b                   | 01c d20 d50              | 1/2 4/5           |                              | 2,4                  | 91703-0003           | 91999-2716           | A                                | A                     | NONE             |
| 91999-2044        | 91703-0002        | 93002-3007           | NATURAL | 2b                         | d20                      | 1/2 4/5           |                              | 4                    | 91703-0003           | 91999-2715           | A                                | A                     | NONE             |
| 91999-2045        | 91703-0002        | 93002-3030           | NATURAL | 1a 2b 4b                   | 03c d50                  | 1/2 4/5           |                              | NONE                 | 91703-0003           | 91999-2714           | A                                | A                     | NONE             |
| 91999-2046        | 91703-0002        | 93002-3031           | NATURAL | 2b                         | d20                      | 1/2               |                              | 2,4                  | 91703-0003           | 91999-2713           | A                                | A                     | NONE             |
| ----              | 91703-0002        | 93002-3022           | NATURAL | 1a 5b                      | 01c d20 03c d50          | 1/2 4/5           |                              | 2,4                  | 91703-0003           | 91999-2712           | A                                | A                     | NONE             |
| 91999-2048        | 91703-0002        | 93002-3022           | NATURAL | 1a 5b                      | 01c d20 03c d50          | 1/2 4/5           |                              | 2,4                  | 91703-0003           | 91999-2711           | B                                | A                     | NONE             |
| 91999-2049        | 91703-0002        | 93002-3007           | NATURAL | 2b                         | d20                      | 1/2 4/5           |                              | 2,4                  | 91703-0003           | 91999-2710           | B                                | A                     | NONE             |
| 91999-2050        | 91703-0002        | 93002-3020           | NATURAL | 1a 3a 4b 5a                | 03c 04c                  | 1/2 4/5           |                              | 4                    | 91703-0003           | 91999-2709           | A                                | A                     | NONE             |
| 91999-2051        | 91703-0002        | 93002-3006           | NATURAL | 2a 4b                      | 01c d20 d40              | 1/2 3/4           |                              | NONE                 | 91703-0003           | 91999-2708           | B                                | A                     | NONE             |
| 91999-2052        | 91703-0002        | 93002-3006           | NATURAL | 2a 4b                      | 01c d20 d40              | 1/2 3/4           |                              | 4                    | 91703-0003           | 91999-2708           | A                                | A                     | NONE             |

NOTES:  
\* SEE SHEET 1 NOTE 4

|   |  |                        |  |                    |  |            |  |                               |  |                                |  |
|---|--|------------------------|--|--------------------|--|------------|--|-------------------------------|--|--------------------------------|--|
| THIS DRAWING CONTAINS INFORMATION THAT IS PROPRIETARY TO MOLEX ELECTRONIC TECHNOLOGIES, LLC AND SHOULD NOT BE USED WITHOUT WRITTEN PERMISSION |  |                        |  |                    |  |            |  |                               |  |                                |  |
| DIMENSION UNITS<br><b>mm</b>  |  | SCALE<br><b>1:1</b>    |  | CURRENT REV DESC:  |  |            |  |                               |  |                                |  |
| GENERAL TOLERANCES<br>(UNLESS SPECIFIED)  |  |                        |  | EC NO: 746008      |  |            |  |                               |  |                                |  |
| ANGULAR TOL ± 2.0°  |  | 4 PLACES ±             |  | DRWN: RAHULH3      |  | 2023/04/10 |  | RAST 5 VERT HDR PA 66 HOUSING |  |                                |  |
| 3 PLACES ±  |  | 2 PLACES ± 0.1         |  | CHK'D: RAHULH3     |  | 2023/04/14 |  | PRODUCT CUSTOMER DRAWING      |  |                                |  |
| 1 PLACE ± 0.2   |  | 0 PLACES ±             |  | APPR: MRAMAKRISHNA |  | 2023/04/14 |  | INITIAL REVISION:             |  |                                |  |
| DRAFT WHERE APPLICABLE<br>MUST REMAIN<br>WITHIN DIMENSIONS  |  | THIRD ANGLE PROJECTION |  | DRAWING            |  | SERIES     |  | DOCUMENT NUMBER               |  | DOC TYPE   DOC PART   REVISION |  |
|   |  |                        |  | A1-SIZE            |  | 91999      |  | 919990001                     |  | PSD   000   L4                 |  |
| SEE SHEETS 2-18   |  | GENERAL MARKET         |  | SHEET NUMBER       |  | 12 OF 17   |  |                               |  |                                |  |

# 6 CIRCUIT

SEE CODE DESIGNATION TABLE FOR NUMBERING  
FORMAT WHEN ADDING NEW PART NUMBE

| PART NO.<br>(TIN) | TERM NO.<br>(TIN) | MOLEX<br>HOUSING NO. | COLOUR  | UNBLOCKED<br>POSITION KEYS | UNBLOCKED<br>CODING KEYS | LATCH<br>POSITION | CONFIGURATION<br>(SEE NOTES) | TERMINAL<br>VOID CKT | TERM NO.<br>(SILVER) | PART NO.<br>(SILVER) | P.C.B.<br>POLARISATION<br>OPTION | PACKAGING<br>OPTION * | COLOUR<br>STRIPE |
|-------------------|-------------------|----------------------|---------|----------------------------|--------------------------|-------------------|------------------------------|----------------------|----------------------|----------------------|----------------------------------|-----------------------|------------------|
| 91999-2753        | 91703-0002        | 93002-4000           | NATURAL | 1b                         | 03c d60                  | 1/2 4/5           |                              | NONE                 | 91703-0003           | 91999-3499           | A                                | A                     | NONE             |
| 91999-2754        | 91703-0002        | 93002-4001           | NATURAL | 1a 3b 4b                   | 01c d50 06c              | 1/2 4/5           |                              | NONE                 | 91703-0003           | 91999-3498           | A                                | A                     | NONE             |
| 91999-2755        | 91703-0002        | 93002-4002           | NATURAL | 1a 1b 2b 3a<br>3b 4b       | d30 04c d50              | 1/2 2/3 4/5       |                              | NONE                 | 91703-0003           | 91999-3497           | A                                | A                     | NONE             |
| 91999-2756        | 91703-0002        | 93002-4003           | NATURAL | 1a 1b<br>4a 4b             | d10 d50                  | 2/3 4/5           |                              | NONE                 | 91703-0003           | 91999-3496           | A                                | A                     | NONE             |
| 91999-2757        | 91703-0002        | 93002-4004           | NATURAL | 2a 4b 5a 6b                | d20 03c 05c              | 1/2 3/4 5/6       |                              | NONE                 | 91703-0003           | 91999-3495           | A                                | A                     | NONE             |
| 91999-2758        | 91703-0002        | 93002-4005           | NATURAL | 1a 2b 3a<br>3b 5b 6b       | 01c d40 d60              | 1/2 3/4 5/6       |                              | NONE                 | 91703-0003           | 91999-3494           | A                                | A                     | NONE             |
| 91999-2759        | 91703-0002        | 93002-4006           | NATURAL | 1b 2a 3a 4b<br>5a 5b 6b    | 01c 03c d60              | 1/2 3/4 5/6       |                              | NONE                 | 91703-0003           | 91999-3493           | A                                | A                     | NONE             |
| 91999-2761        | 91703-0002        | 93002-4007           | NATURAL | 2b                         | d20 d60                  | 1/2 5/6           |                              | NONE                 | 91703-0003           | 91999-3492           | A                                | A                     | NONE             |
| 91999-2762        | 91703-0002        | 93002-4008           | NATURAL | 2b 3b 4a                   | 01c d50 06c              | 1/2 4/5           |                              | NONE                 | 91703-0003           | 91999-3491           | A                                | A                     | NONE             |
| 91999-2768        | 91703-0002        | 93002-4009           | NATURAL | 1b 4b                      | d20 03c<br>d50 06c       | 1/2 4/5           |                              | NONE                 | 91703-0003           | 91999-3486           | A                                | A                     | NONE             |
| 91999-2769        | 91703-0002        | 93002-4010           | NATURAL | 1a 2b 3b<br>4a 6b          | 01c 03c d40<br>05c d60   | 1/2 3/4 5/6       |                              | NONE                 | 91703-0003           | 91999-3485           | A                                | A                     | NONE             |
| 91999-2770        | 91703-0002        | 93002-4011           | NATURAL | 1a 2b 4a 6b                | 01c d40                  | 1/2 3/4 5/6       |                              | NONE                 | 91703-0003           | 91999-3484           | A                                | A                     | NONE             |
| 91999-2771        | 91703-0002        | 93002-4030           | NATURAL | 1b 6b                      | d40                      | 1/2 5/6           |                              | 2 & 5                | 91703-0003           | 91999-3483           | A                                | A                     | NONE             |
| 91999-2772        | 91703-0002        | 93002-4016           | NATURAL | 1b 2a 3a 4b<br>5a 5b 6b    | 01c d60                  | 2/3 5/6           |                              | NONE                 | 91703-0003           | 91999-3482           | A                                | A                     | NONE             |
| 91999-2773        | 91703-0017        | 93002-4000           | NATURAL | 1b                         | 03c d60                  | 1/2 4/5           |                              | NONE                 | 91703-0018           | 91999-3481           | C                                | A                     | NONE             |
| 91999-2774        | 91703-0017        | 93002-4017           | NATURAL | 1a 1b 2b 3b                | d20 05c d60              | 1/2 3/4 5/6       |                              | NONE                 | 91703-0018           | 91999-3480           | C                                | A                     | NONE             |
| 91999-2775        | 91703-0017        | 93002-4016           | NATURAL | 1b 2a 3a 4b<br>5a 5b 6b    | 01c d60                  | 2/3 5/6           |                              | NONE                 | 91703-0018           | 91999-3479           | C                                | A                     | NONE             |
| 91999-2776        | 91703-0002        | 93002-4018           | NATURAL | ALL                        | ALL                      | 1/2 4/5           |                              | NONE                 | 91703-0003           | 91999-3478           | A                                | A                     | NONE             |
| 91999-2777        | 91703-0002        | 93002-4019           | NATURAL | 1b                         | 03c d60                  | 1/2 5/6           |                              | NONE                 | 91703-0003           | 91999-3477           | A                                | A                     | NONE             |
| 91999-2778        | 91703-0002        | 93002-4020           | NATURAL | 1b 2b 3b                   | 01c 05c d60              | 1/2 3/4 5/6       |                              | NONE                 | 91703-0003           | 91999-3476           | A                                | A                     | NONE             |

NOTES:  
\* SEE SHEET 1 NOTE 4

|   |  |                     |  |   |  |                           |  |                                   |  |  |  |                                     |  |                          |  |                 |  |                       |  |
|---|--|---------------------|--|---|--|---------------------------|--|-----------------------------------|--|--|--|-------------------------------------|--|--------------------------|--|-----------------|--|-----------------------|--|
| THIS DRAWING CONTAINS INFORMATION THAT IS PROPRIETARY TO MOLEX ELECTRONIC TECHNOLOGIES, LLC AND SHOULD NOT BE USED WITHOUT WRITTEN PERMISSION |  |                     |  |   |  |                           |  |                                   |  |  |  |                                     |  |                          |  |                 |  |                       |  |
| DIMENSION UNITS<br><b>mm</b>  |  | SCALE<br><b>1:1</b> |  | CURRENT REV DESC:   |  |                           |  | <br>RAST 5 VERT HDR PA 66 HOUSING |  |  |  |                                     |  |                          |  |                 |  |                       |  |
| GENERAL TOLERANCES<br>(UNLESS SPECIFIED)  |  |                     |  | EC NO: 746008<br>DRWN: RAHULH3 2023/04/10<br>CHK'D: RAHULH3 2023/04/14<br>APPR: MRAMAKRISHNA 2023/04/14 |  |                           |  |                                   |  |  |  |                                     |  |                          |  |                 |  |                       |  |
| ANGULAR TOL ± 2.0°  |  |                     |  | INITIAL REVISION:   |  |                           |  | PRODUCT CUSTOMER DRAWING          |  |  |  |                                     |  |                          |  |                 |  |                       |  |
| 4 PLACES ±  |  | 3 PLACES ±          |  | 2 PLACES ± 0.1  |  | 1 PLACE ± 0.2             |  | 0 PLACES ±                        |  | DRWN: AKABADI 2017/09/15<br>APPR: BRUTTLE 2017/11/10 |  | DOCUMENT NUMBER<br><b>919990001</b> |  | DOC TYPE<br>PSD          |  | DOC PART<br>000 |  | REVISION<br><b>L4</b> |  |
| DRAFT WHERE APPLICABLE<br>MUST REMAIN<br>WITHIN DIMENSIONS  |  |                     |  | THIRD ANGLE PROJECTION<br>  |  | DRAWING<br><b>A1-SIZE</b> |  | SERIES<br><b>91999</b>            |  | MATERIAL NUMBER<br>SEE SHEETS 2-18                   |  | CUSTOMER<br>GENERAL MARKET          |  | SHEET NUMBER<br>13 OF 17 |  |                 |  |                       |  |

# 6 CIRCUIT

SEE CODE DESIGNATION TABLE FOR NUMBERING  
FORMAT WHEN ADDING NEW PART

| PART NO.<br>(TIN) | TERM NO.<br>(TIN) | MOLEX<br>HOUSING NO. | COLOUR  | UNBLOCKED<br>POSITION KEYS | UNBLOCKED<br>CODING KEYS       | LATCH<br>POSITION | CONFIGURATION<br>(SEE NOTES) | TERMINAL<br>VOID CKT | TERM NO.<br>(SILVER) | PART NO.<br>(SILVER) | P.C.B.<br>POLARISATION<br>OPTION | PACKAGING<br>OPTION * | COLOUR<br>STRIPE |
|-------------------|-------------------|----------------------|---------|----------------------------|--------------------------------|-------------------|------------------------------|----------------------|----------------------|----------------------|----------------------------------|-----------------------|------------------|
| 91999-2779        | 91703-0002        | 93002-4021           | NATURAL | ALL                        | ALL                            | 2/3 4/5           |                              | NONE                 | 91703-0003           | 91999-3475           | A                                | A                     | NONE             |
| 91999-2780        | 91703-0002        | 93002-4023           | NATURAL | 1b 6a                      | 04c                            | 1/2 5/6           |                              | NONE                 | 91703-0003           | 91999-3474           | A                                | A                     | NONE             |
| 91999-2781        | 91703-0017        | 93002-4000           | NATURAL | 1b                         | 03c d60                        | 1/2 4/5           |                              | NONE                 | 91703-0018           | 91999-3473           | C                                | A                     | NONE             |
| 91999-2782        | 91703-0002        | 93002-4022           | NATURAL | 1b 2a 2b<br>3a 3b 6a       | ALL                            | 4/5               |                              | NONE                 | 91703-0003           | 91999-3472           | A                                | A                     | NONE             |
| 91999-2783        | 91703-0002        | 93002-4025           | NATURAL | 1b 2a 3a<br>4b 5b 6a 6b    | 01c d20<br>03c d60             | 1/2 3/4 5/6       |                              | NONE                 | 91703-0003           | 91999-3471           | A                                | A                     | NONE             |
| 91999-2784        | 91703-0002        | 93002-4012           | NATURAL | 2b 6b                      | d40                            | 1/2 5/6           |                              | NONE                 | 91703-0003           | 91999-3470           | A                                | A                     | NONE             |
| 91999-2785        | 91703-0002        | 93002-4026           | NATURAL | 1a 1b 2a<br>2b 3a 3b 6a    | 01c d10 02c<br>d30 d50 06c     | 4/5               |                              | NONE                 | 91703-0003           | 91999-3469           | A                                | A                     | NONE             |
| 91999-2786        | 91703-0002        | 93002-4000           | NATURAL | 1b                         | 03c d60                        | 1/2 4/5           |                              | 2                    | 91703-0003           | 91999-3468           | A                                | A                     | NONE             |
| 91999-2787        | 91703-0002        | 93002-4027           | NATURAL | 1a 1b 2a 2b<br>3a 3b 5b 6b | 01c d20 03c<br>d30 04c 05c d60 | 1/2 5/6           |                              | NONE                 | 91703-0003           | 91999-3467           | A                                | A                     | NONE             |
| 91999-2788        | 91703-0002        | 93002-4028           | NATURAL | 1b 5b 6a                   | d20 03c<br>d40 05c             | 1/2 3/4 5/6       |                              | NONE                 | 91703-0003           | 91999-3487           | A                                | A                     | NONE             |
| 91999-2789        | 91703-0002        | 93002-4000           | NATURAL | 1b                         | 03c d60                        | 1/2 4/5           |                              | NONE                 | 91703-0003           | 91999-3490           | B                                | A                     | NONE             |

NOTES:

\* SEE SHEET 1 NOTE 4

|   |  |                     |  |   |  |                |  |                                     |  |                                    |  |                            |  |                          |  |
|---|--|---------------------|--|---|--|----------------|--|-------------------------------------|--|------------------------------------|--|----------------------------|--|--------------------------|--|
| THIS DRAWING CONTAINS INFORMATION THAT IS PROPRIETARY TO MOLEX ELECTRONIC TECHNOLOGIES, LLC AND SHOULD NOT BE USED WITHOUT WRITTEN PERMISSION |  |                     |  |   |  |                |  |                                     |  |                                    |  |                            |  |                          |  |
| DIMENSION UNITS<br><b>mm</b>  |  | SCALE<br><b>1:1</b> |  | CURRENT REV DESC:   |  |                |  | <br>RAST 5 VERT HDR PA 66 HOUSING   |  |                                    |  |                            |  |                          |  |
| GENERAL TOLERANCES<br>(UNLESS SPECIFIED)  |  |                     |  | EC NO: 746008   |  |                |  |                                     |  |                                    |  |                            |  |                          |  |
| ANGULAR TOL ± 2.0°  |  | 4 PLACES ±          |  | 3 PLACES ±  |  | 2 PLACES ± 0.1 |  | 1 PLACE ± 0.2                       |  | 0 PLACES ±                         |  |                            |  |                          |  |
| DRAFT WHERE APPLICABLE<br>MUST REMAIN<br>WITHIN DIMENSIONS  |  |                     |  | THIRD ANGLE PROJECTION  |  | DRAWING<br>    |  | SERIES<br><b>A1-SIZE 91999</b>      |  | MATERIAL NUMBER<br>SEE SHEETS 2-18 |  | CUSTOMER<br>GENERAL MARKET |  | SHEET NUMBER<br>14 OF 17 |  |
| DOCUMENT STATUS<br>P1 RELEASE DATE<br>2023/04/14 14:04:31   |  |                     |  | INITIAL REVISION:<br>DRWN: AKABADI 2017/09/15<br>APPR: BRUTTLE 2017/11/10 |  |                |  | DOCUMENT NUMBER<br><b>919990001</b> |  | DOC TYPE<br>PSD                    |  | DOC PART<br>000            |  | REVISION<br><b>L4</b>    |  |

# 7 CIRCUIT

SEE CODE DESIGNATION TABLE FOR NUMBERING  
FORMAT WHEN ADDING NEW PART NUMBE

| PART NO.<br>(TIN) | TERM NO.<br>(TIN) | MOLEX<br>HOUSING NO. | COLOUR  | UNBLOCKED<br>POSITION KEYS | UNBLOCKED<br>CODING KEYS   | LATCH<br>POSITION | CONFIGURATION<br>(SEE NOTES) | TERMINAL<br>VOID CKT | TERM NO.<br>(SILVER) | PART NO.<br>(SILVER) | P.C.B.<br>POLARISATION<br>OPTION | PACKAGING<br>OPTION * | COLOUR<br>STRIPE |
|-------------------|-------------------|----------------------|---------|----------------------------|----------------------------|-------------------|------------------------------|----------------------|----------------------|----------------------|----------------------------------|-----------------------|------------------|
| 91999-3511        | 91703-0002        | 93002-5000           | NATURAL | NONE                       | 03c d40 07c                | 1/2 5/6           |                              | NONE                 | 91703-0003           | 91999-4249           | A                                | A                     | NONE             |
| 91999-3512        | 91703-0002        | 93002-5001           | NATURAL | 3a 4a                      | d30 d70                    | 1/2 5/6           |                              | NONE                 | 91703-0003           | 91999-4248           | A                                | A                     | NONE             |
| 91999-3504        | 91703-0002        | 93002-5002           | NATURAL | 2b                         | d20 d60                    | 1/2 5/6           |                              | NONE                 | 91703-0003           | 91999-4247           | A                                | A                     | NONE             |
| 91999-3508        | 91703-0002        | 93002-5003           | NATURAL | 1a 1b 3a<br>4b 5a          | 01c 07c                    | 1/2 3/4 5/6       |                              | NONE                 | 91703-0003           | 91999-4243           | A                                | A                     | NONE             |
| 91999-3509        | 91703-0002        | 93002-5004           | NATURAL | 2a                         | 01c d50                    | 2/3 4/5           |                              | NONE                 | 91703-0003           | 91999-4242           | A                                | A                     | NONE             |
| 91999-3515        | 91703-0002        | 93002-5005           | NATURAL | 7b                         | 01c d40 d70                | 1/2 3/4 6/7       |                              | NONE                 | 91703-0003           | 91999-4240           | A                                | A                     | NONE             |
| 91999-3516        | 91703-0002        | 93002-5006           | NATURAL | 1b                         | 03c d60                    | 1/2 4/5           |                              | NONE                 | 91703-0003           | 91999-4239           | A                                | A                     | NONE             |
| 91999-3517        | 91703-0002        | 93002-5007           | NATURAL | 1a 3a 4b<br>7b             | 01c d20<br>03c 06c         | 1/2 3/4 6/7       |                              | NONE                 | 91703-0003           | 91999-4238           | A                                | A                     | NONE             |
| 91999-3519        | 91703-0002        | 93002-5008           | NATURAL | 1b 7a                      | 02c d50                    | 2/3 6/7           |                              | NONE                 | 91703-0003           | 91999-4237           | A                                | A                     | NONE             |
| 91999-3521        | 91703-0002        | 93002-5009           | NATURAL | 1a 2b 3a<br>4b 6a          | d20 03c d40<br>d50 d70     | 1/2 3/4 6/7       |                              | NONE                 | 91703-0003           | 91999-4236           | A                                | A                     | NONE             |
| 91999-3522        | 91703-0002        | 93002-5010           | NATURAL | 1b 6a                      | d20 03c<br>d50 d70         | 1/2 3/4 6/7       |                              | NONE                 | 91703-0003           | 91999-4235           | A                                | A                     | NONE             |
| 91999-3523        | 91703-0002        | 93002-5011           | NATURAL | 1b 2a 5a 5b<br>7b          | d20 d50 06c<br>d70         | 1/2 4/5 6/7       |                              | NONE                 | 91703-0003           | 91999-4234           | A                                | A                     | NONE             |
| 91999-3524        | 91703-0002        | 93002-5012           | NATURAL | 2b                         | d20 07c                    | 1/2 3/4 5/6       |                              | NONE                 | 91703-0003           | 91999-4233           | A                                | A                     | NONE             |
| 91999-3525        | 91703-0002        | 93002-5013           | NATURAL | 2a 2b 4b 5b<br>6a          | d20 03c d40<br>d60         | 1/2 3/4 5/6       |                              | NONE                 | 91703-0003           | 91999-4232           | A                                | A                     | NONE             |
| 91999-3526        | 91703-0002        | 93002-5014           | NATURAL | 2b 4a 4b 5b<br>6a          | 01c d20 d40<br>d60         | 1/2 3/4 5/6       |                              | NONE                 | 91703-0003           | 91999-4231           | A                                | A                     | NONE             |
| 91999-3527        | 91703-0002        | 93002-5015           | NATURAL | 1b 2a 3a 5b<br>6a 6b 7b    | 01c d70                    | 2/3 6/7           |                              | NONE                 | 91703-0003           | 91999-4230           | A                                | A                     | NONE             |
| 91999-3528        | 91703-0002        | 93002-5016           | NATURAL | ALL                        | ALL                        | 1/2 5/6           |                              | NONE                 | 91703-0003           | 91999-4229           | A                                | A                     | NONE             |
| 91999-3529        | 91703-0002        | 93002-5017           | NATURAL | 2a 3b 4b 5a<br>6a 6b 7a    | 01c d30 04c<br>06c d60 d70 | 1/2 4/5           |                              | NONE                 | 91703-0003           | 91999-4228           | A                                | A                     | NONE             |
| 91999-3530        | 91703-0002        | 93002-5018           | NATURAL | NONE                       | 04c 07c                    | 1/2 5/6           |                              | NONE                 | 91703-0003           | 91999-4227           | A                                | A                     | NONE             |
| 91999-3531        | 91703-0017        | 93002-5000           | NATURAL | NONE                       | 03c d40 07c                | 1/2 5/6           |                              | NONE                 | 91703-0018           | 91999-4226           | C                                | A                     | NONE             |

NOTES:  
\* SEE SHEET 1 NOTE 4

|   |                        |                               |        |                          |                |              |
|---|------------------------|-------------------------------|--------|--------------------------|----------------|--------------|
| THIS DRAWING CONTAINS INFORMATION THAT IS PROPRIETARY TO MOLEX ELECTRONIC TECHNOLOGIES, LLC AND SHOULD NOT BE USED WITHOUT WRITTEN PERMISSION |                        | CURRENT REV DESC:             |        |                          |                |              |
| DIMENSION UNITS<br><b>mm</b>  | SCALE<br><b>1:1</b>    |                               |        |                          |                |              |
| GENERAL TOLERANCES<br>(UNLESS SPECIFIED)  |                        | EC NO: 746008                 |        | PRODUCT CUSTOMER DRAWING |                |              |
| ANGULAR TOL ± 2.0°  |                        | DRWN: RAHULH3 2023/04/10      |        | DOCUMENT NUMBER          |                |              |
| 4 PLACES ±  |                        | CHK'D: RAHULH3 2023/04/14     |        | 919990001                |                |              |
| 3 PLACES ±  |                        | APPR: MRAMAKRISHNA 2023/04/14 |        | PSD 000 L4               |                |              |
| 2 PLACES ± 0.1  |                        | INITIAL REVISION:             |        | REVISION                 |                |              |
| 1 PLACE ± 0.2   |                        | DRWN: AKABADI 2017/09/15      |        | 1                        |                |              |
| 0 PLACES ±  |                        | APPR: BRUTTLE 2017/11/10      |        | 2                        |                |              |
| DRAFT WHERE APPLICABLE<br>MUST REMAIN<br>WITHIN DIMENSIONS  | THIRD ANGLE PROJECTION | DRAWING                       | SERIES | MATERIAL NUMBER          | CUSTOMER       | SHEET NUMBER |
|   |                        | A1-SIZE                       | 91999  | SEE SHEETS 2-18          | GENERAL MARKET | 15 OF 17     |

# 7 CIRCUIT

SEE CODE DESIGNATION TABLE FOR NUMBERING  
FORMAT WHEN ADDING NEW PART NUMBE

| PART NO.<br>(TIN) | TERM NO.<br>(TIN) | MOLEX<br>HOUSING NO. | COLOUR  | UNBLOCKED<br>POSITION KEYS | UNBLOCKED<br>CODING KEYS   | LATCH<br>POSITION  | CONFIGURATION<br>(SEE NOTES) | TERMINAL<br>VOID CKT | TERM NO.<br>(SILVER) | PART NO.<br>(SILVER) | P.C.B.<br>POLARISATION<br>OPTION | PACKAGING<br>OPTION * | COLOUR<br>STRIPE |
|-------------------|-------------------|----------------------|---------|----------------------------|----------------------------|--------------------|------------------------------|----------------------|----------------------|----------------------|----------------------------------|-----------------------|------------------|
| 91999-3532        | 91703-0002        | 93002-5021           | NATURAL | 5b                         | d30 d70                    | 1/2 6/7            |                              | NONE                 | 91703-0003           | 91999-4225           | A                                | A                     | NONE             |
| 91999-3533        | 91703-0002        | 93002-5022           | NATURAL | 1a 1b 2b<br>3a 4b 6a       | d10 d30 04c<br>d40 d50 d70 | 2/3 6/7            |                              | NONE                 | 91703-0003           | 91999-4224           | A                                | A                     | NONE             |
| 91999-3534        | 91703-0002        | 93002-5023           | NATURAL | 1b 2b 3a<br>4a 7b          | d20 03c d70                | 1/2 3/4<br>4/5 6/7 |                              | NONE                 | 91703-0003           | 91999-4223           | A                                | A                     | NONE             |
| 91999-3535        | 91703-0002        | 93002-5021           | NATURAL | 5b                         | d30 d70                    | 1/2 6/7            |                              | 2, 4 & 6             | 91703-0003           | 91999-4222           | A                                | A                     | NONE             |
| 91999-3536        | 91703-0002        | 93002-5001           | NATURAL | 3a 4a                      | d30 d70                    | 1/2 5/6            |                              | NONE                 | 91703-0003           | 91999-4221           | A                                | A                     | NONE             |
| 91999-3537        | 91703-0002        | 93002-5021           | NATURAL | 5b                         | d30 d70                    | 1/2 6/7            |                              | 2, 4 & 6             | 91703-0003           | 91999-4220           | B                                | A                     | NONE             |
| 91999-3538        | 91703-0002        | 93002-5001           | NATURAL | 3a 4a                      | d30 d70                    | 1/2 5/6            |                              | 2, 4 & 6             | 91703-0003           | 91999-4219           | B                                | A                     | NONE             |
| 91999-3539        | 91703-0002        | 93002-5000           | NATURAL | NONE                       | 03c d40 07c                | 1/2 5/6            |                              | NONE                 | 91703-0003           | 91999-4218           | B                                | A                     | NONE             |
| 91999-3540        | 91703-0002        | 93002-5025           | NATURAL | 5b                         | d30 d70                    | 2/3 5/6            |                              | 2, 4 & 6             | 91703-0003           | 91999-4217           | B                                | A                     | NONE             |

NOTES:

\* SEE SHEET 1 NOTE 4

|   |        |   |            |        |                 |  |  |  |  |  |                                |                |              |
|---|--------|---|------------|--------|-----------------|--|--|--|--|--|--------------------------------|----------------|--------------|
| THIS DRAWING CONTAINS INFORMATION THAT IS PROPRIETARY TO MOLEX ELECTRONIC TECHNOLOGIES, LLC AND SHOULD NOT BE USED WITHOUT WRITTEN PERMISSION |        |   |            |        |                 |  |  |  |  |  |                                |                |              |
| DIMENSION UNITS   | SCALE  | CURRENT REV DESC:   |            |        |                 |  |  |  |  |  |                                |                |              |
| mm  | 1:1    | <br>RAST 5 VERT HDR PA 66 HOUSING<br>PRODUCT CUSTOMER DRAWING |            |        |                 |  |  |  |  |  |                                |                |              |
| GENERAL TOLERANCES (UNLESS SPECIFIED)   |        |   |            |        |                 |  |  |  |  |  |                                |                |              |
| ANGULAR TOL   | ± 2.0° |   |            |        |                 |  |  |  |  |  |                                |                |              |
| 4 PLACES  | ±      |   |            |        |                 |  |  |  |  |  |                                |                |              |
| 3 PLACES  | ±      |   |            |        |                 |  |  |  |  |  |                                |                |              |
| 2 PLACES  | ± 0.1  | EC NO: 746008   | 2023/04/10 |        |                 |  |  |  |  |  | DOCUMENT NUMBER                |                |              |
| 1 PLACE   | ± 0.2  | DRWN: RAHULH3   | 2023/04/14 |        |                 |  |  |  |  |  | DOC TYPE   DOC PART   REVISION |                |              |
| 0 PLACES  | ±      | APPR: MRAMAKRISHNA  | 2023/04/14 |        |                 |  |  |  |  |  | 919990001                      |                |              |
| DRAFT WHERE APPLICABLE MUST REMAIN WITHIN DIMENSIONS  |        | THIRD ANGLE PROJECTION  | DRAWING    | SERIES | MATERIAL NUMBER |  |  |  |  |  |                                | CUSTOMER       | SHEET NUMBER |
|   |        |   | A1-SIZE    | 91999  | SEE SHEETS 2-18 |  |  |  |  |  |                                | GENERAL MARKET | 16 OF 17     |



# 8 CIRCUIT

SEE CODE DESIGNATION TABLE FOR NUMBERING  
FORMAT WHEN ADDING NEW PART NUMBE

| PART NO.<br>(TIN) | TERM NO.<br>(TIN) | MOLEX<br>HOUSING NO. | COLOUR  | UNBLOCKED<br>POSITION KEYS    | UNBLOCKED<br>CODING KEYS                              | LATCH<br>POSITION  | CONFIGURATION<br>(SEE NOTES) | TERMINAL<br>VOID CKT | TERM NO.<br>(SILVER) | PART NO.<br>(SILVER) | P.C.B.<br>POLARISATION<br>OPTION | PACKAGING<br>OPTION * | COLOUR<br>STRIPE |
|-------------------|-------------------|----------------------|---------|-------------------------------|---|--------------------|------------------------------|----------------------|----------------------|----------------------|----------------------------------|-----------------------|------------------|
| 91999-4250        | 91703-0002        | 93002-6010           | NATURAL | 8b                            | 01c d10 04c d40<br>05c d50 06c d60<br>07c d70 08c d80 | 2/3                |                              | NONE                 | 91703-0003           | 91999-4999           | A                                | A                     | NONE             |
| 91999-4251        | 91703-0002        | 93002-6011           | NATURAL | 1a 4b 5a<br>6b 7b 8a          | d40 d60<br>07c d80                                    | 1/2 3/4<br>5/6 7/8 |                              | NONE                 | 91703-0003           | 91999-4998           | A                                | A                     | NONE             |
| 91999-4252        | 91703-0002        | 93002-6012           | NATURAL | ALL                           | d20 03c<br>d60 07c                                    | 1/2 7/8            |                              | 2, 4 & 6             | 91703-0003           | 91999-4997           | A                                | A                     | NONE             |
| 91999-4253        | 91703-0002        | 93002-6013           | NATURAL | 1a 2a 3a 4b<br>5a 5b 6b 7b 8b | 01c 03c<br>d60 07c                                    | 1/2 3/4<br>5/6 7/8 |                              | NONE                 | 91703-0003           | 91999-4996           | A                                | A                     | NONE             |
| 91999-4254        | 91703-0002        | 93002-6012           | NATURAL | ALL                           | d20 03c<br>d60 07c                                    | 1/2 7/8            |                              | NONE                 | 91703-0003           | 91999-4995           | A                                | A                     | NONE             |

NOTES:  
\* SEE SHEET 1 NOTE 4

|   |  |       |  |  |  |         |  |                               |  |                |  |              |  |          |  |
|---|--|-------|--|--|--|---------|--|-------------------------------|--|----------------|--|--------------|--|----------|--|
| THIS DRAWING CONTAINS INFORMATION THAT IS PROPRIETARY TO MOLEX ELECTRONIC TECHNOLOGIES, LLC AND SHOULD NOT BE USED WITHOUT WRITTEN PERMISSION |  |       |  |  |  |         |  |                               |  |                |  |              |  |          |  |
| DIMENSION UNITS   |  | SCALE |  | CURRENT REV DESC:  |  |         |  |                               |  |                |  |              |  |          |  |
| mm  |  | 1:1   |  |  |  |         |  |                               |  |                |  |              |  |          |  |
| GENERAL TOLERANCES<br>(UNLESS SPECIFIED)  |  |       |  | EC NO: 746008<br>DRWN: RAHULH3 2023/04/10<br>CHK'D: RAHULH3 2023/04/14<br>APPR: MRAMAKRISHNA 2023/04/14<br>INITIAL REVISION:<br>DRWN: AKABADI 2017/09/15<br>APPR: BRUTTLE 2017/11/10 |  |         |  | RAST 5 VERT HDR PA 66 HOUSING |  |                |  |              |  |          |  |
| ANGULAR TOL ± 2.0°  |  |       |  |  |  |         |  | PRODUCT CUSTOMER DRAWING      |  |                |  |              |  |          |  |
| 4 PLACES ±  |  |       |  |  |  |         |  | DOCUMENT NUMBER               |  | DOC TYPE       |  | DOC PART     |  | REVISION |  |
| 3 PLACES ±  |  |       |  |  |  |         |  | 919990001                     |  | PSD            |  | 000          |  | L4       |  |
| 2 PLACES ± 0.1  |  |       |  |  |  |         |  | MATERIAL NUMBER               |  | CUSTOMER       |  | SHEET NUMBER |  |          |  |
| 1 PLACE ± 0.2   |  |       |  |  |  |         |  | SEE SHEETS 2-18               |  | GENERAL MARKET |  | 17 OF 17     |  |          |  |
| 0 PLACES ±  |  |       |  |  |  |         |  |                               |  |                |  |              |  |          |  |
| DRAFT WHERE APPLICABLE<br>MUST REMAIN<br>WITHIN DIMENSIONS  |  |       |  | THIRD ANGLE PROJECTION   |  | DRAWING |  | SERIES                        |  |                |  |              |  |          |  |
|   |  |       |  |  |  | A1-SIZE |  | 91999                         |  |                |  |              |  |          |  |