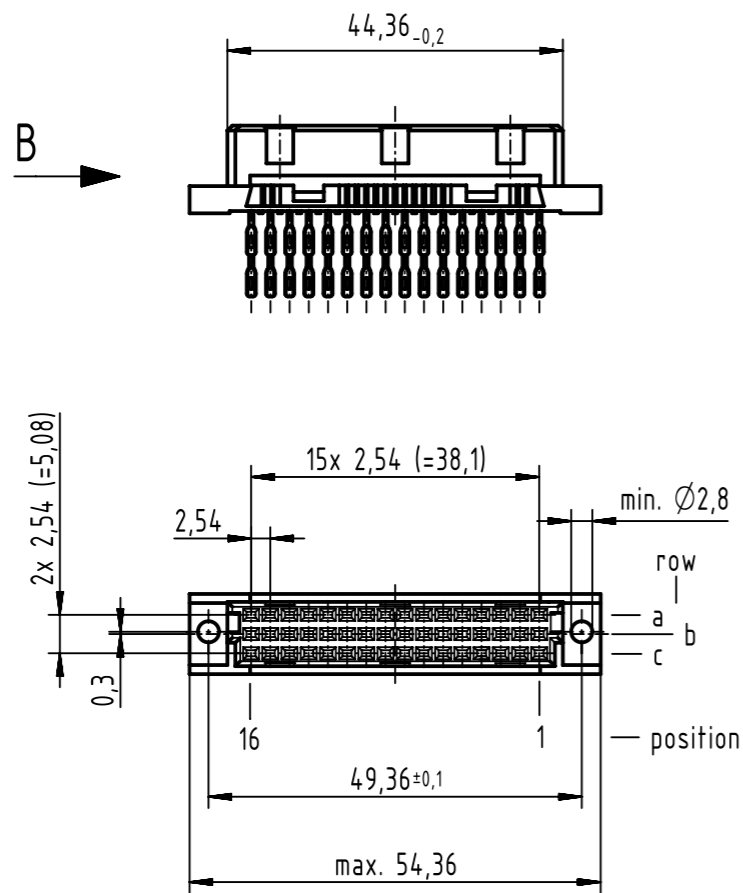


48 solder lug contacts

- ⊠ = position with solder lug 5.5mm
- = position with solder lug 11mm
- = position without contact



1 further information see: DS 09032100007

09 23 248 6823	2
part no.	performance level 1

	All Dimensions in mm Original Size DIN A3		Scale 1:1	Free size tol.		Ref.	
	All rights reserved Department EC PD - DE		Created by ELLERMANN	Inspected by TADJE	Standardisation HOFFMANN	Date 2017-01-02	State Final Release
HARTING Electronics GmbH D-32339 Espelkamp		Title DIN Signal type 2C female solder lug 48-pole				Doc-Key / ECM-Nr. 100084933/UGD/007/C 500000113162	
		Type TB	Number 0923248X823		Rev. C	Page 1/1	