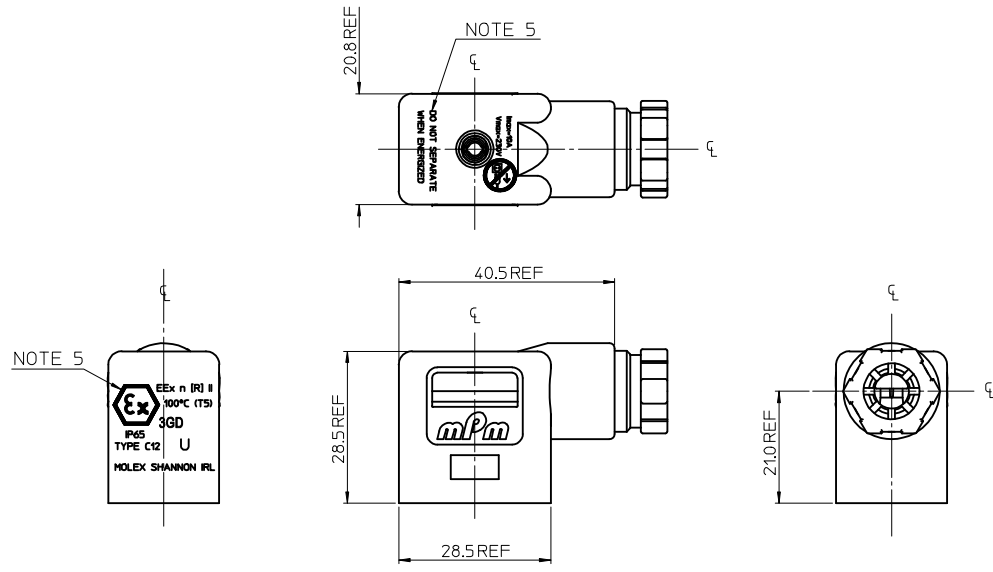
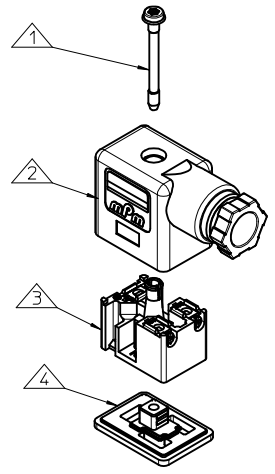


PART NO	MPM PART NO	DESCRIPTION
1210240523	C12209N21ATXE	ATEX CONNECTOR 2P PG9 H12 INEGRATED SILICONE GASKET
1210240574	C12209N21ATXEX	ATEX CONNECTOR 2P PG9 H12 INEGRATED SILICONE GASKET SINGLE BAG



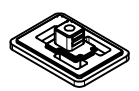
- NOTES
1. PRODUCT SPEC: SEE PS-121201-001
  2. PACKAGING SPEC: SEE PK-121024-001
  3. ENGINEERING SPEC: SEE ES-121024-001
  4. GROUND POSITION SHOWN H12
  5. TAMPO PRINT MARKINGS
  6. NOTE: INSERT IS MADE FROM V0 MATERIAL
- LAST INSPECTION NUMBER USED: 3



ITEM	DESCRIPTION
1	31mm M3 TORX SCREW
2	C12 COVER ASSEMBLY
3	C12 INSERT ASSEMBLY
4	GASKET

C12209N21ATXE\*

- SERIES C12= DIN VALVE FORM B INDUSTRIAL
- POLES 2= 2 POLE
- THREAD 09 = PG9
- MATERIAL AND HOUSING COLOUR N= PA6 BLACK NON V0
- GROUND POSITION 2= H12
- SCREW AND GASKET 1= TORX SCREW AND INTEGRATED GASKET  
3= TORX SCREW AND PROFILE GASKET
- ATEX PART NUMBER DESIGNATION
- NON STANDARD PACKAGING
- X= SINGLE BAG MOUNTED



INTEGRATED GASKET



31mm M3 TORX SCREW

REV	DESCRIPTION	QUALITY SYMBOLS	GENERAL TOLERANCES (UNLESS SPECIFIED)		DIMENSION STYLE		SCALE	DESIGN UNITS	THIRD ANGLE PROJECTION	
			mm	INCH	MM ONLY	1.5:1	METRIC	THIRD ANGLE PROJECTION		
0		▽=0	±---	±---	DRAWN BY	DATE	TITLE	ATEX C12 SALES DRAWING		
1		▽=0	±0.10	±---	DSHEA	2011/05/31				
			±0.2	±---	CHECKED BY	DATE		MOLEX INCORPORATED		
			±---	±---	APPROVED BY	DATE				
			ANGULAR ±---°		EFOLAN	2011/12/12		DOCUMENT NO.		SHEET NO.
			DRAFT WHERE APPLICABLE MUST REMAIN WITHIN DIMENSIONS		MATERIAL NO.		SD-121024-523		1 OF 1	
			SEE TABLE		THIS DRAWING CONTAINS INFORMATION THAT IS PROPRIETARY TO MOLEX INCORPORATED AND SHOULD NOT BE USED WITHOUT WRITTEN PERMISSION					