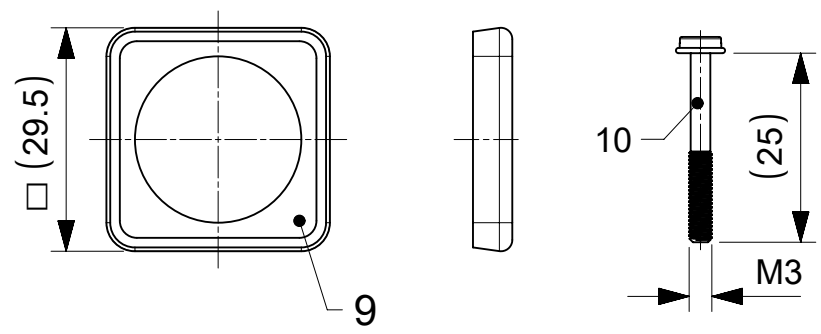


SCREW AND GASKET NOT ASSEMBLED

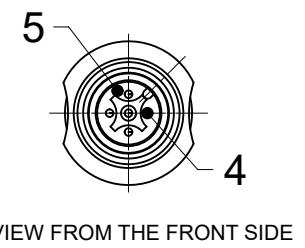
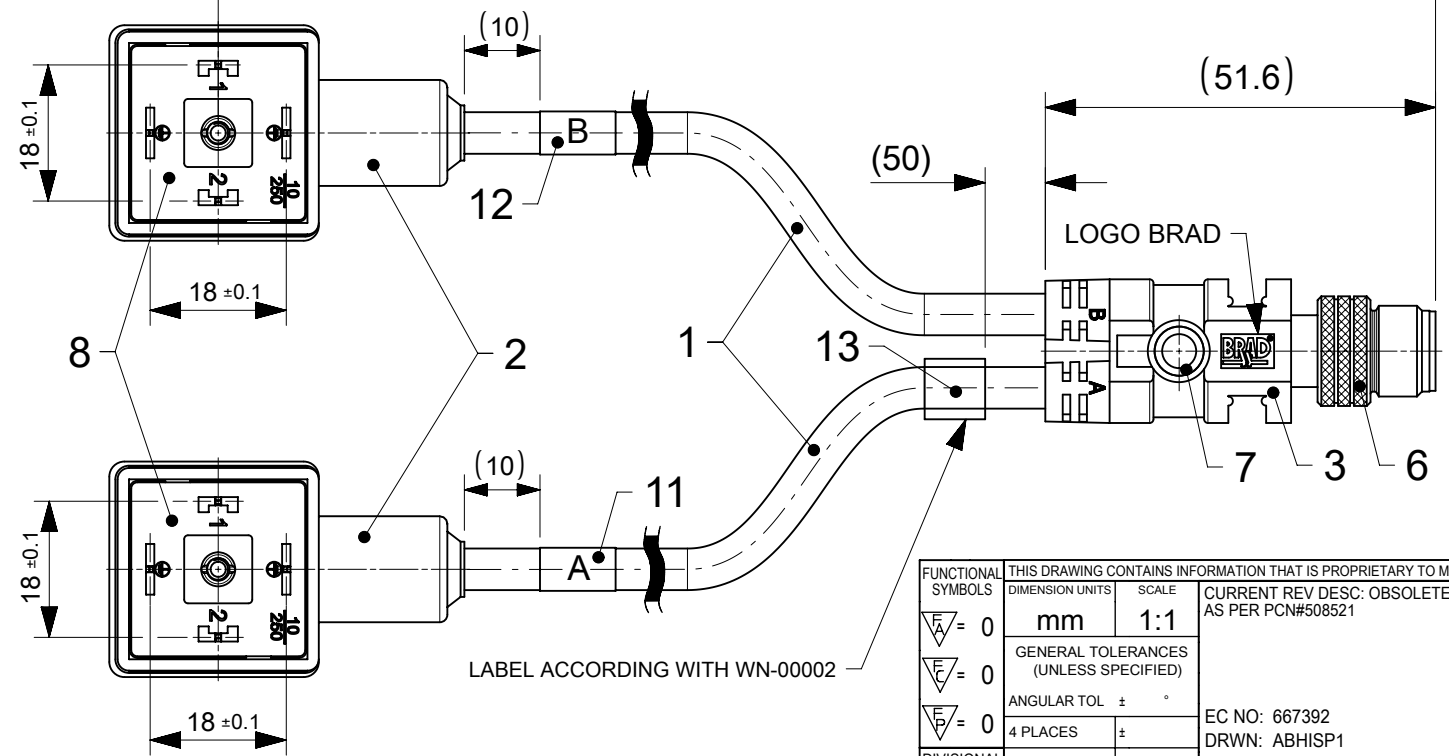


M12 5 POLE MALE

VIEW FROM THE FRONT SIDE

PIN	WIRE COLOR
1	-
2	BROWN 'B'
3	BLUE
4	BROWN 'A'
5	GREEN-YELLOW

L+TOL. = SEE PART LIST



FUNCTIONAL SYMBOLS	THIS DRAWING CONTAINS INFORMATION THAT IS PROPRIETARY TO MOLEX ELECTRONIC TECHNOLOGIES, LLC AND SHOULD NOT BE USED WITHOUT WRITTEN PERMISSION						
	DIMENSION UNITS	SCALE	CURRENT REV DESC: OBSOLETE PART NUMBER AS PER PCN#508521				
$\frac{E}{A} = 0$	mm	1:1	EC NO: 667392 DRWN: ABHISP1 2021/06/17				
$\frac{E}{E} = 0$	GENERAL TOLERANCES (UNLESS SPECIFIED)			3 PLACES ±			
$\frac{E}{P} = 0$	ANGULAR TOL ± °		2021/07/05				
DIVISIONAL SYMBOLS	4 PLACES ±	INITIAL REVISION: DRWN: MDHARMANTI 2019/09/10 APPR: RSILLER 2019/09/20	2021/07/05				
	3 PLACES ±		PRODUCT CUSTOMER DRAWING				
	2 PLACES ±		DOCUMENT NUMBER	DOC TYPE	DOC PART	REVISION	
	1 PLACE ±		1210350285	PSD	000	B	
0 PLACES ±	DRAFT WHERE APPLICABLE MUST REMAIN WITHIN DIMENSIONS		MATERIAL NUMBER	CUSTOMER	SHEET NUMBER		
THIRD ANGLE PROJECTION		DRAWING	SERIES	121035	SEE TABLE	GENERAL MARKET	1 OF 2

PART NO. MATRIX

E 8 5 A 0 0 X X X X X X X X

E- FORM A 18.00 mm
(2P+DOUBLE GROUND)

8- MMC
SINGLE KEYWAY

5- 5 POLE
MALE

A - IN LINE
SPLITTER

0- NO CIRCUIT

0- DIN EARTH
POSITION
H6/H12

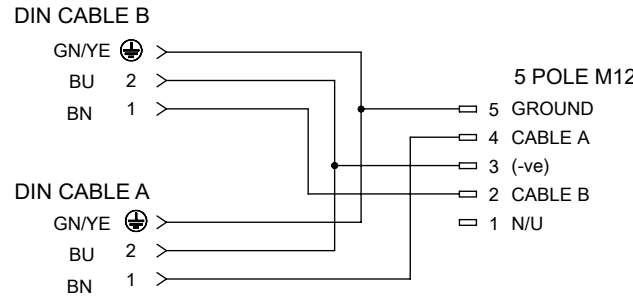
CABLE TYPE :
E12 = PVC, 3X0.5mm, BLACK
P12 = PUR, 3X0.5mm, BLACK

M-METER
C- CENTIMETERS

LENGTH :
010 = 1M
020 = 2M
030 = 3M

COUPLING NUT :
BLANK = STANDARD
1 = HEXAGONAL / STAINLESS STEEL
5 = DELRIN
7 = TEFLON COATED

WIRING DIAGRAM



PART LIST

MOLEX PN	ENGINEERING NO	CABLE TYPE, JACKET MATERIAL	L+TOL. [mm]
1210350158	E85A00E12M010	E12, PVC	1000
1210350212	E85A00P12M003	P12, PUR	300
1210350213	E85A00P12M006	P12, PUR	600
1210350283	E85A00E12M020	E12, PVC	2000
1210350285	E85A00E12M015	E12, PVC	1500

BOM

ITEM	QTY	DESCRIPTION	MATERIAL	FINISH/COLOR
13	1	LABEL	VINYL	YELLOW
12	1	LABEL B B-500 WMB	VINYL	WHITE
11	1	LABEL A B-500 WMA	VINYL	WHITE
10	2	SCREW M3x25	BRASS	ZINC
9	2	PROFIED GASKET G11	NBR	BLACK
8	2	MOUNTED INSERT 2P+2T	-	BLACK
7	1	CENTRE SPACER ILS	PVC	YELLOW
6	1	M12 MALE COUPLING NUT	BRASS	Ni-PLATED
5	1	5P MALE INSERT	PUR	BLACK
4	5	CONTACT 10 MALE	COPPER	SELECTIVE GOLD OVER NICKEL
3	-	MOULDING MATERIAL	PVC	YELLOW
2	-	MOULDING MATERIAL	PP	BLACK
1	-	CABLE 3X0.50MM	SEE PART LIST	BLACK

CONNECTOR SPECIFICATION :

ELECTRICAL DATA :

VOLTAGE RATING : 60V
AMPERAGE RATING : 4A
IP PROTECTION : IP65

CABLE SPECIFICATION :

CONDUCTOR :

MATERIAL : BARE COPPER
SECTION : 0.50mm²
STRANDING : 28x0.15 mm

JACKET :

COMPOUND : PUR/PVC (SEE PART LIST)
COLOR : BLACK
DIAMETER : $\varnothing 5.5^{+0.30}$ mm

CABLE LENGTH TOLERANCES[mm]		
OVER	UP TO AND INCLUDING	TOLERANCES
0	305	+19
305	915	+45
915	1830	+56
1830	3660	+89
3660	7320	+165
7320	14640	+317
14640	30500	+610
30500	>	+2% OF FINISHED LENGTH

THIS DRAWING CONTAINS INFORMATION THAT IS PROPRIETARY TO MOLEX ELECTRONIC TECHNOLOGIES, LLC AND SHOULD NOT BE USED WITHOUT WRITTEN PERMISSION

FUNCTIONAL SYMBOLS	DIMENSION UNITS	SCALE	CURRENT REV DESC: OBSOLETE PART NUMBER AS PER PCN#508521
$\nabla_A = 0$	mm	1:1	
$\nabla_E = 0$	GENERAL TOLERANCES (UNLESS SPECIFIED)		
$\nabla_P = 0$	ANGULAR TOL	± °	
DIVISIONAL SYMBOLS	4 PLACES	±	EC NO: 667392
	3 PLACES	±	DRWN: ABHISP1
	2 PLACES	±	2021/06/17
	1 PLACE	±	2021/07/05
	0 PLACES	±	2021/07/05
	DRAFT WHERE APPLICABLE MUST REMAIN WITHIN DIMENSIONS		INITIAL REVISION:
	THIRD ANGLE PROJECTION	DRAWING	DRWN: MDHARMANTI
		SERIES	2019/09/10
			2019/09/20
			APPR: RSILLER

ILS-5P-MM/2XDIN-FORM A-XM-PVC/PUR

PRODUCT CUSTOMER DRAWING

DOCUMENT NUMBER	DOC TYPE	DOC PART	REVISION
1210350285	PSD	000	B
MATERIAL NUMBER	CUSTOMER	SHEET NUMBER	
SEE TABLE	GENERAL MARKET	2 OF 2	