

G

G

F

F

E

E

D

D

C

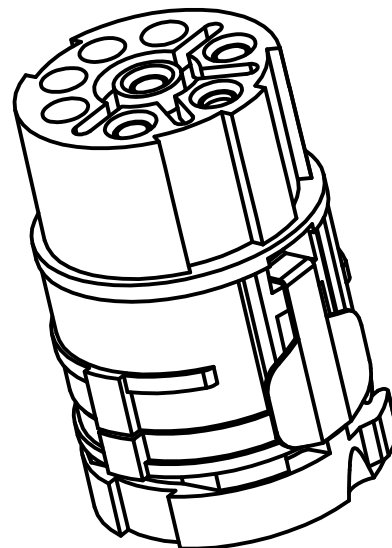
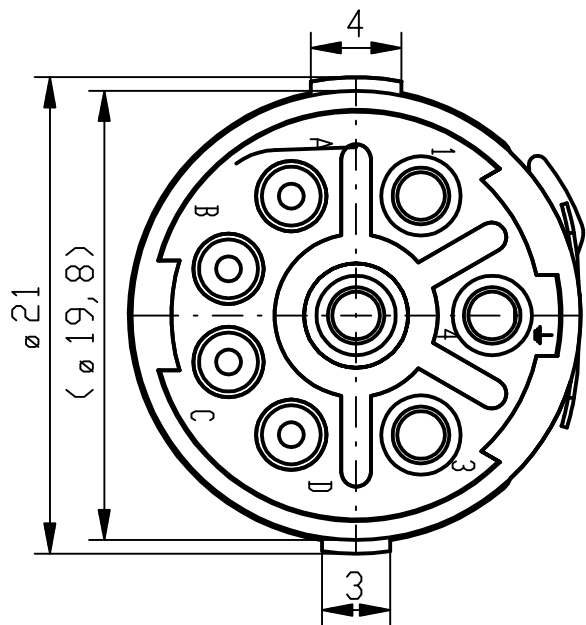
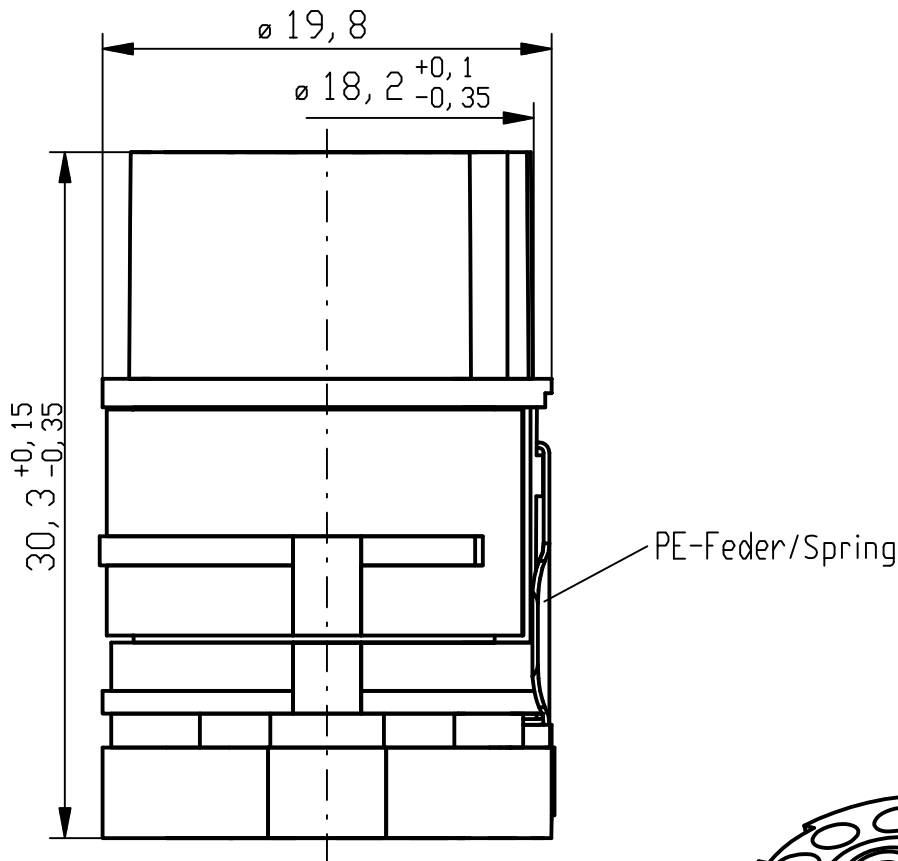
C

B

B

A

A



Notes:

Packaging units: 5 pcs

Tolerances (unless specified): DIN ISO 2768 m

Bemerkungen:

Verpackungseinheit: 5 Stück

Toleranzen (sofern nichts anderes angegeben ist): DIN ISO 2768 m

DESCRIPTION EC NO.: WEU2008-0019 DRWN: BBRAUCH 2008/05/16 CHKD: LS 2008/05/26 APPR: REISSNER 2008/05/27	QUALITY SYMBOLS	GENERAL TOLERANCES (UNLESS SPECIFIED)		DIMENSION STYLE		SCALE	DESIGN UNITS	FIRST ANGLE PROJECTION
	▽ = 0	mm	INCH	MM		3:1	METRIC	
	∇ = 0	4 PLACES ±----	±----	DRAWN BY	DATE	M23 PWR INSERT FEM 8P CRIMP P/N: KIP80-00		
		3 PLACES ±----	±----	BB	2008/05/16			
	2 PLACES ±----	±----	CHECKED BY	DATE	MOLEX INCORPORATED			
	1 PLACE ±----	±----	---	---				
	ANGULAR ± --- °			APPROVED BY	DATE	DOCUMENT NO. SD-120235-014		SHEET NO. 1 OF 1
				RE	2008/05/26			
		DRAFT WHERE APPLICABLE MUST REMAIN WITHIN DIMENSIONS		MATERIAL NO.	1202350014			
01	REV			SIZE	THIS DRAWING CONTAINS INFORMATION THAT IS PROPRIETARY TO MOLEX INCORPORATED AND SHOULD NOT BE USED WITHOUT WRITTEN PERMISSION			