


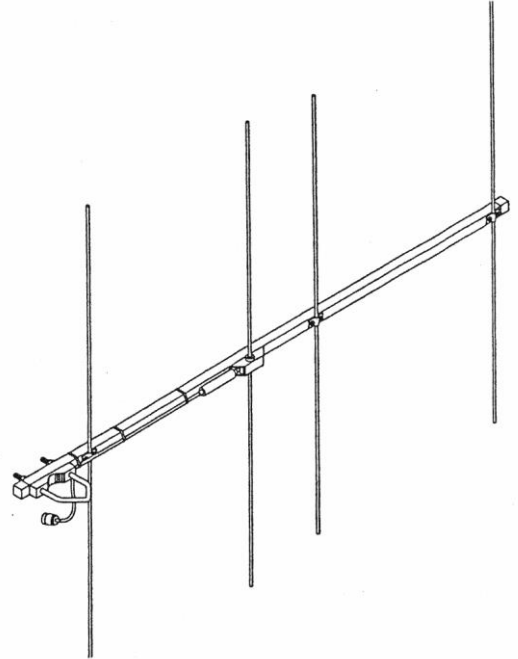


ANTENNA TECHNOLOGIES LIMITED COMPANY

# Model 172-4H Heavy Duty VHF Yagi Antenna

## Key Features

-  “EverSealed” feed system is impervious to ice, moisture and the impact of harsh environments and no field tuning is ever required.
-  Rugged, square tube boom and solid aluminum rod elements for greater durability.
-  Customer V-Blocks and V-Bolts for secure mounting and easy polarization selection.



Electrical Specifications	172-4H
Frequency Range, MHz	168-176
Gain, dBd	7 minimum; 9 typical
Front to Back Ratio, dB	15 minimum; 20 typical
VSWR (50 Ohms)	1.2:1 typical
1.5:1 Bandwidth MHz	8 minimum; 9 typical
3 dB Beamwidth E/H Planes, degrees	61/91
Stacking Distance, E/H, inches	66/48
Maximum Power, watts	150*
Cable type/length	RG58, 2 (.61)
Connector	N, Female
Polarization	Horizontal or Vertical

\*Limited by feedline. Higher power ratings are available as an option.



Mechanical Specifications	172-4H
Number of Elements	4
Boom Length, feet (m)	3.7 (1.1)
Boom Material	1.0" by 1.0" square tube 6061-T6 aluminum
Element Material	.25" diameter 6061-T6 aluminum rod
Mast Diameter, inches, (cm)	1.25-2.00 (3.2-5.1)
Mounting	Rear
Wind Surface Areas, feet <sup>2</sup>	.5 (.047)
Wind Survival, mph (kph)	125 (200)
Weight, pounds (kg)	4.5 (1.9)

22560 Glenn Drive #114 | Sterling, Virginia 20164  
[www.atcllc.com](http://www.atcllc.com) [sales@atcllc.com](mailto:sales@atcllc.com)  
Office: 703-450-5517

ATLC products for military use may be subject to U.S. ITAR EXPORT CONTROLS, an export license may be required.