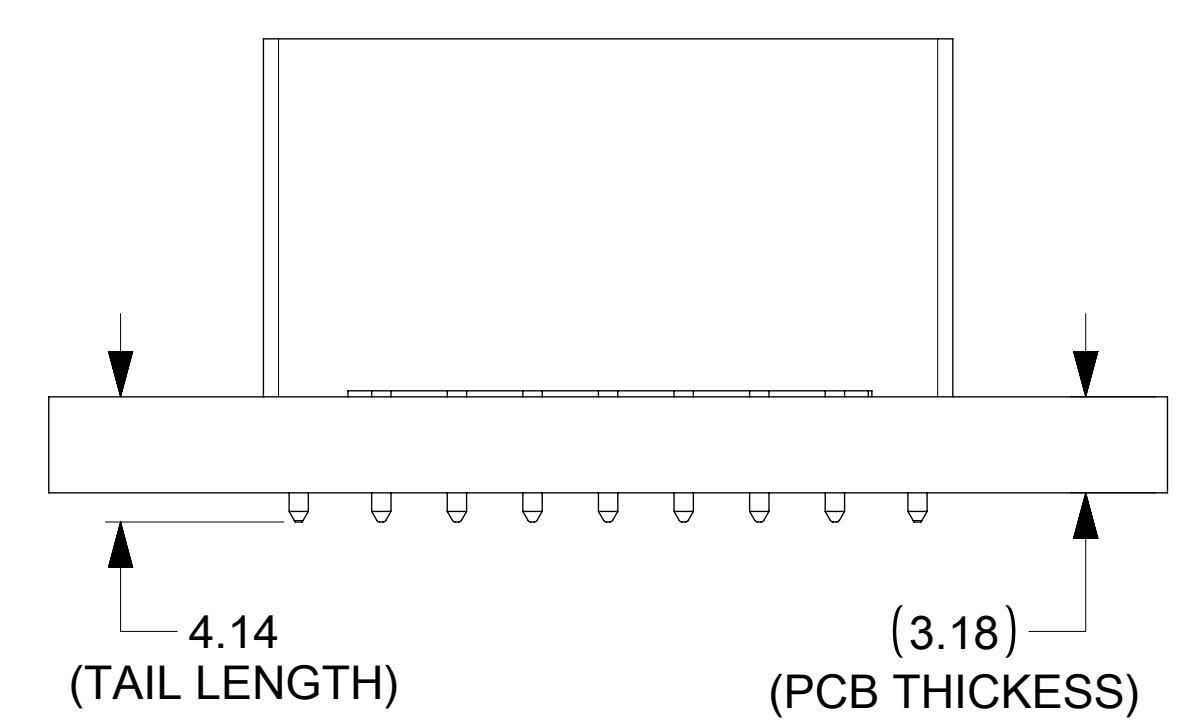
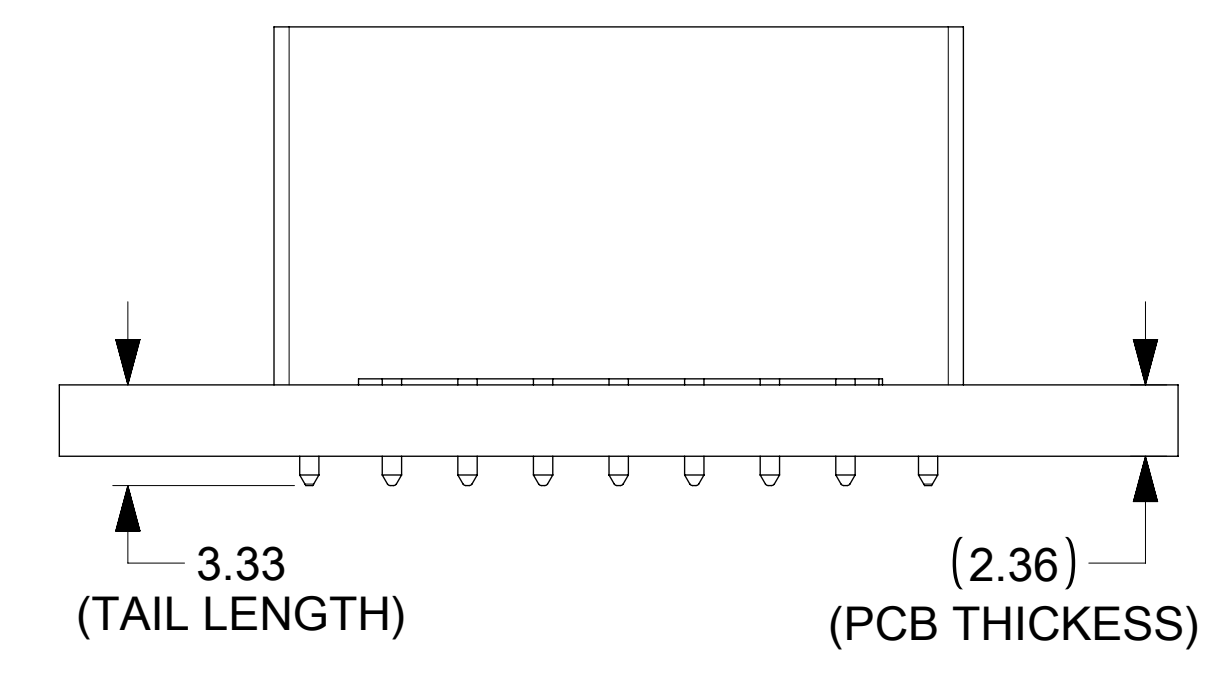
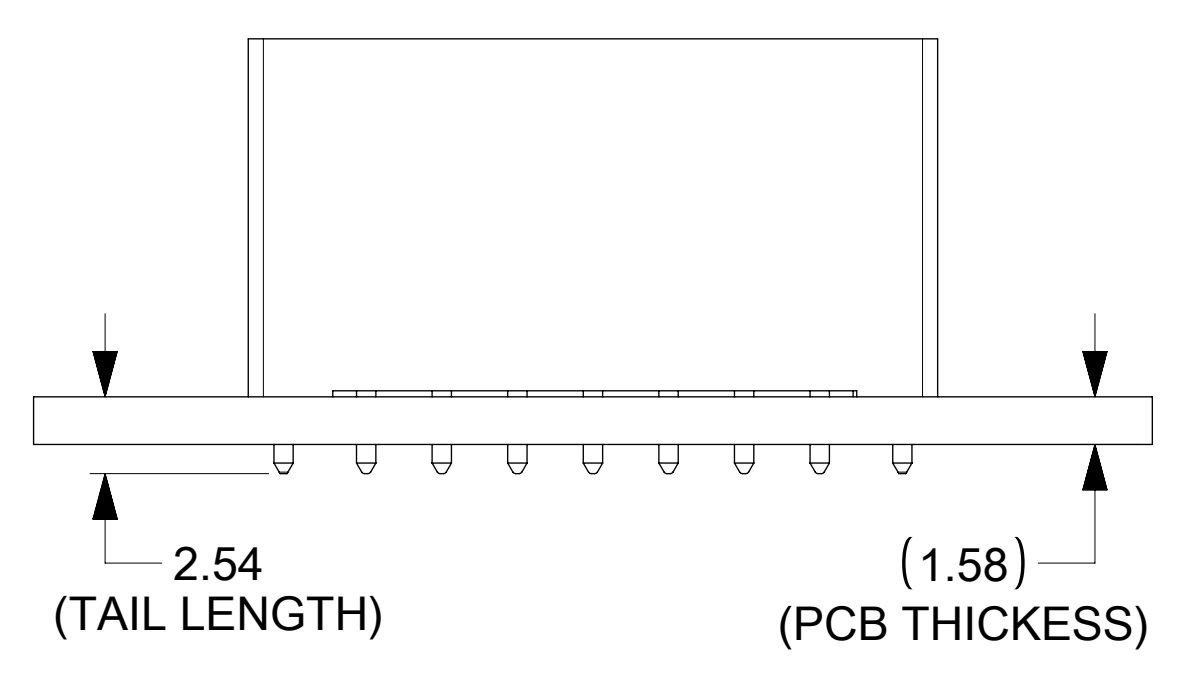


MATED WITH MALE-PIN ASSEMBLY

NOTES:

1. MATERIALS:
  - i. TERMINALS & COMPLIANT PINS: COPPER ALLOY
  - ii. POLYMER WITH GLASS FILLED; COLOR:BLACK
2. PLATING:
  - i. CONTACT AREA: GOLD.
  - ii. REST AREA: SILVER WITH TARNISH INHIBITOR
3. MATES WITH THE STANDARD PIN DRAWINGS:
  - i. 6.0MM SMT DRAWING 2032630136-SD, MIN MATING DISTANCE 3.25MM
  - ii. 6.0MM PRESS FIT DRAWING 2032630006-SD, MIN MATING DISTANCE 2.00MM
  - iii. 6.0MM SCREW MOUNT DRAWING 2032636185-SD, MIN MATING DISTANCE 5.05MM
4. PRODUCT SPECIFICATION: 2151130000-PS (REFER THIS FOR PLATED THRU HOLE SIZE).
5. APPLICATION SPECIFICATION: 2151130000-AS
6. PACKAGING SPECIFICATION: 2151130000-PK
7. SILVER COMPONENTS WILL BE SUPPLIED TARNISH FREE BUT MAY TARNISH OVER TIME.
8. MAX. OFFSET MATING IS 1.0MM IN ALL DIRECTION WITHIN X-Y PLAN.
9. RECOMMENDED PCB THICKNESS (REFER TO RESPECTIVE TAIL VIEW & TABLE IN SHEET 2).
10. MODULE ASSEMBLY IS RoHS COMPLIANT.
11. MEET COSMETIC SPEC PS-45499-002; CLASS B.
12. FOR USE WITH '2-32' TYPE AB SELF THREADING SCREWS. MOLEX SCREW P/N 73726-XXXX OF LENGTH X.XXMM. MAX TORQUE IS 4IN-LBS.

SOLDER-TAIL VERSION (NOT TOOLED)



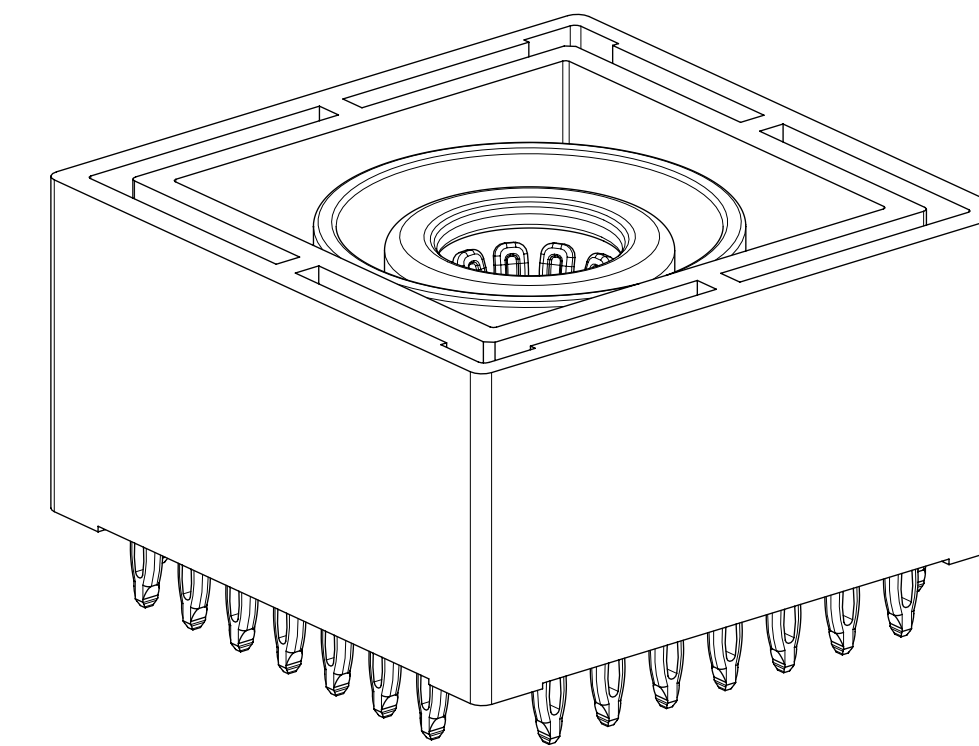
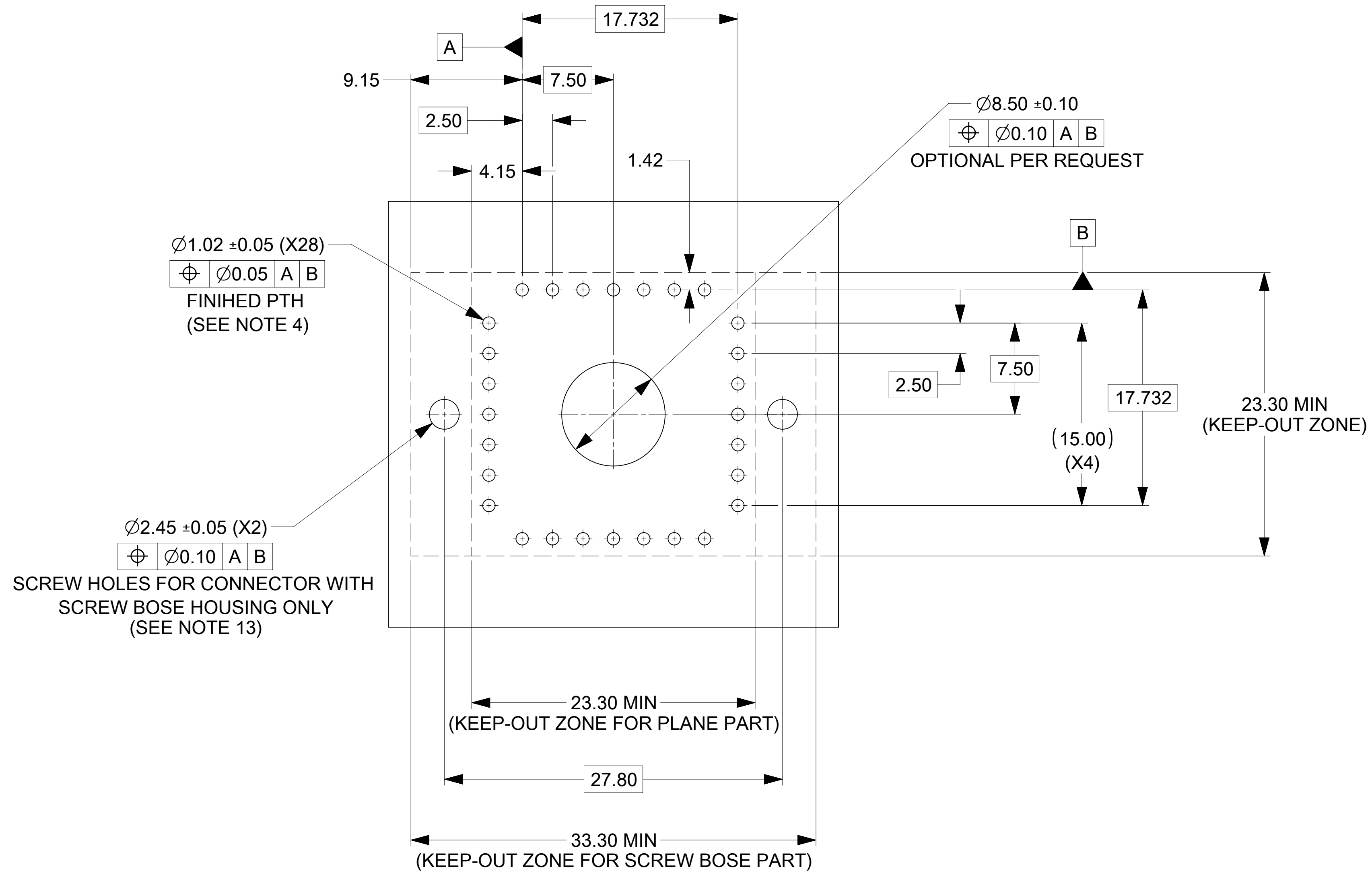
FOR .062" PCB

FOR .093" PCB

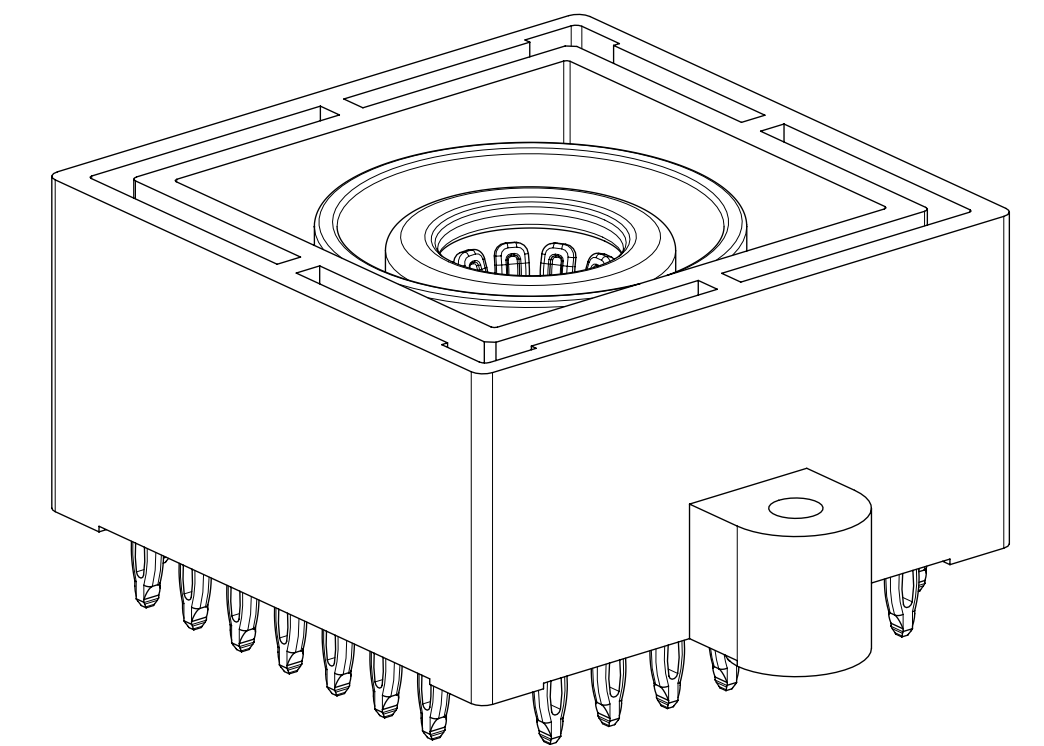
FOR .125" PCB

THIS DRAWING CONTAINS INFORMATION THAT IS PROPRIETARY TO MOLEX ELECTRONIC TECHNOLOGIES, LLC AND SHOULD NOT BE USED WITHOUT WRITTEN PERMISSION

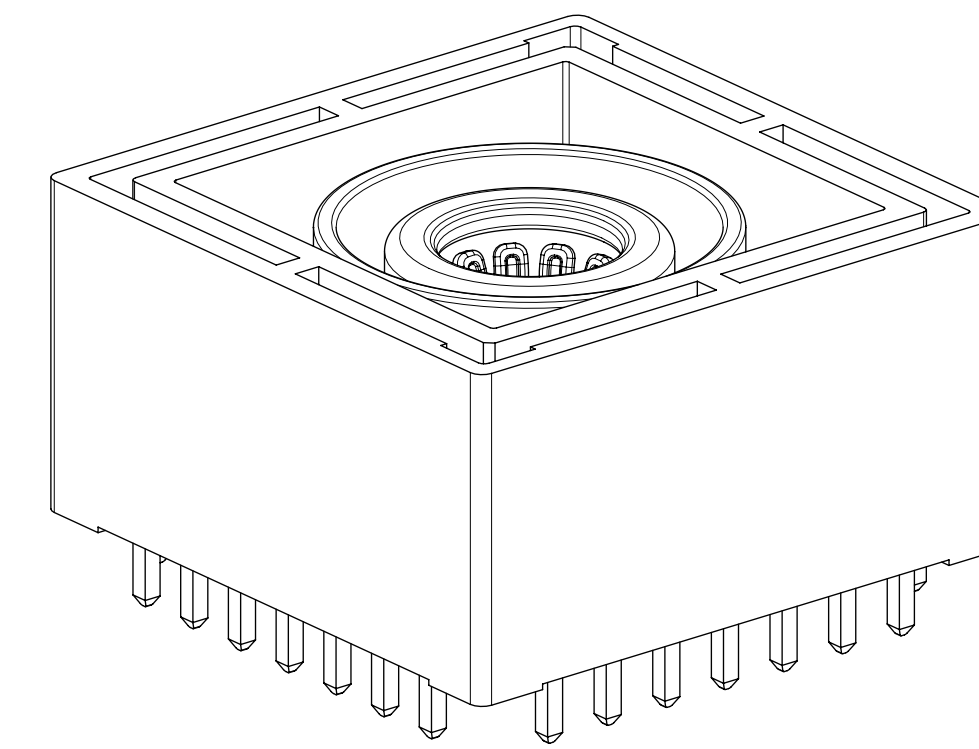
DIMENSION UNITS	SCALE	CURRENT REV DESC: UPDATED DRAWING		<b>molex</b>		
mm	4:1					
GENERAL TOLERANCES (UNLESS SPECIFIED)		EC NO: 670823		ASSEMBLY, COMPLIANT PIN & SOLDER LEG		
ANGULAR TOL ± °		DRWN: SCS02 2021/07/15		6.00MM COEUR CENTRALITY EON, WITH FLOAT		
4 PLACES ±		CHK'D: JJONIAK 2021/07/22		PRODUCT CUSTOMER DRAWING		
3 PLACES ±		APPR: JJONIAK 2021/07/22		DOCUMENT NUMBER		
2 PLACES ± 0.15		INITIAL REVISION:		DOC TYPE DOC PART REVISION		
1 PLACE ± 0.25		DRWN: MZHANG162 2020/02/04		2151130000-SD PSD 000 A1		
0 PLACES ±		APPR: BPISZCZOR 2021/05/12		MATERIAL NUMBER CUSTOMER		
DRAFT WHERE APPLICABLE MUST REMAIN WITHIN DIMENSIONS		THIRD ANGLE PROJECTION	DRAWING	SERIES	SHEET NUMBER	
			D-SIZE	215113	SEE TABLE	GENERAL MARKET 1 OF 2



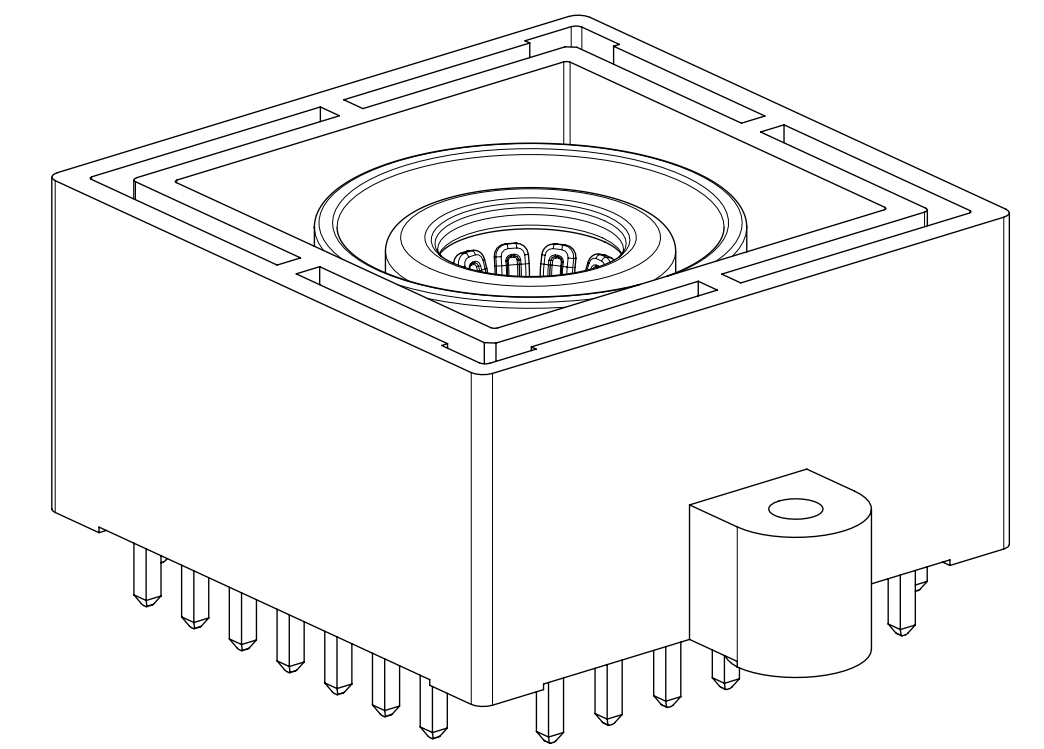
COMPLIANT-PIN ASSEMBLY  
WITH PLANE HOUSING  
(PN: 215113-0001)



COMPLIANT-PIN ASSEMBLY  
WITH SCREW BOSS HOUSING  
(PN: 215113-0005)



SOLDER-TAIL ASSEMBLY  
WITH PLANE HOUSING  
(PN: 215113-0002)



SOLDER-TAIL ASSEMBLY  
WITH SCREW BOSS HOUSING  
(PN: 215113-0006)

PART NUMBER	TERMINATION STYLE	SCREW BOSS	PCB THICKNESS	TOOLING STATUS
215113-0001	COMPLIANT PIN (FOR .062" MIN PCB)	NO	1.58 MM MIN.	TOOLED
215113-0002	SOLDER TAIL (FOR .062" PCB)		1.58 MM	NOT TOOLED
215113-0003	SOLDER TAIL (FOR .093" PCB)		2.36 MM	
215113-0004	SOLDER TAIL (FOR .125" PCB)		3.18 MM	
215113-0005	COMPLIANT PIN (FOR .062" MIN PCB)	YES	1.58 MM MIN.	
215113-0006	SOLDER TAIL (FOR .062" PCB)		1.58 MM	
215113-0007	SOLDER TAIL (FOR .093" PCB)		2.36 MM	
215113-0008	SOLDER TAIL (FOR .125" PCB)		3.18 MM	

THIS DRAWING CONTAINS INFORMATION THAT IS PROPRIETARY TO MOLEX ELECTRONIC TECHNOLOGIES, LLC AND SHOULD NOT BE USED WITHOUT WRITTEN PERMISSION

DIMENSION UNITS	SCALE	CURRENT REV DESC: UPDATED DRAWING	
mm	4:1		
GENERAL TOLERANCES (UNLESS SPECIFIED)			
ANGULAR TOL	± °		
4 PLACES	±	EC NO: 670823	
3 PLACES	±	DRWN: SCS02	2021/07/15
2 PLACES	± 0.15	CHK'D: JJONIAK	2021/07/22
1 PLACE	± 0.25	APPR: JJONIAK	2021/07/22
0 PLACES	±	INITIAL REVISION:	
DRAFT WHERE APPLICABLE MUST REMAIN WITHIN DIMENSIONS		DRWN: MZHANG162	2020/02/04
THIRD ANGLE PROJECTION		APPR: BPISZCZOR	2021/05/12
DRAWING		SERIES	MATERIAL NUMBER
D-SIZE		215113	SEE TABLE
CUSTOMER		GENERAL MARKET	
DOCUMENT NUMBER		DOC TYPE	DOC PART
2151130000-SD		PSD	000
REVISION		SHEET NUMBER	
A1		2 OF 2	