

THIS DRAWING IS UNPUBLISHED.

RELEASED FOR PUBLICATION

20

LOC

DIST

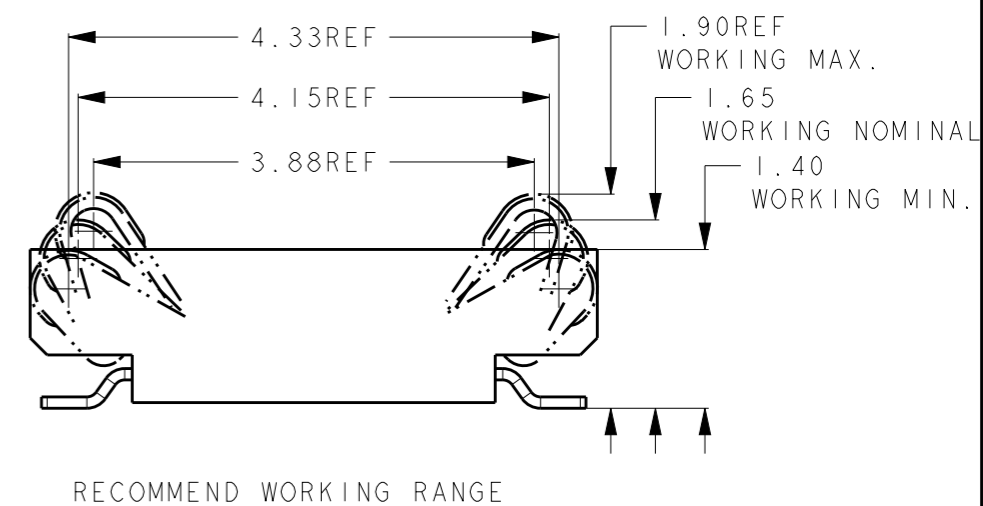
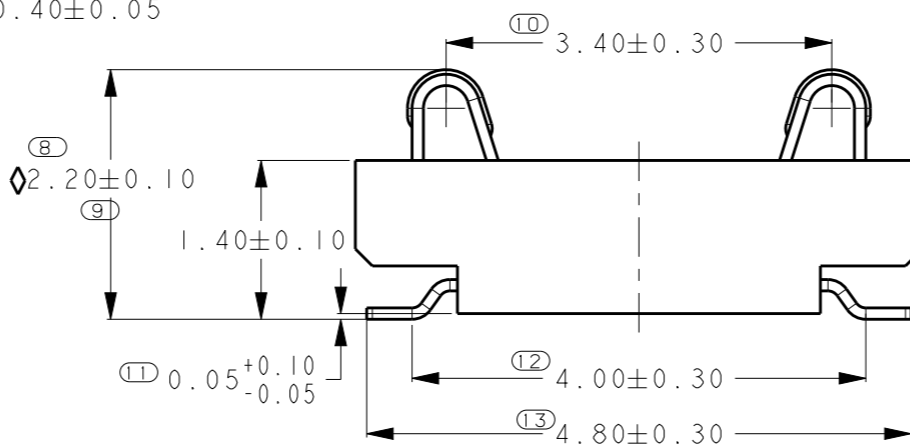
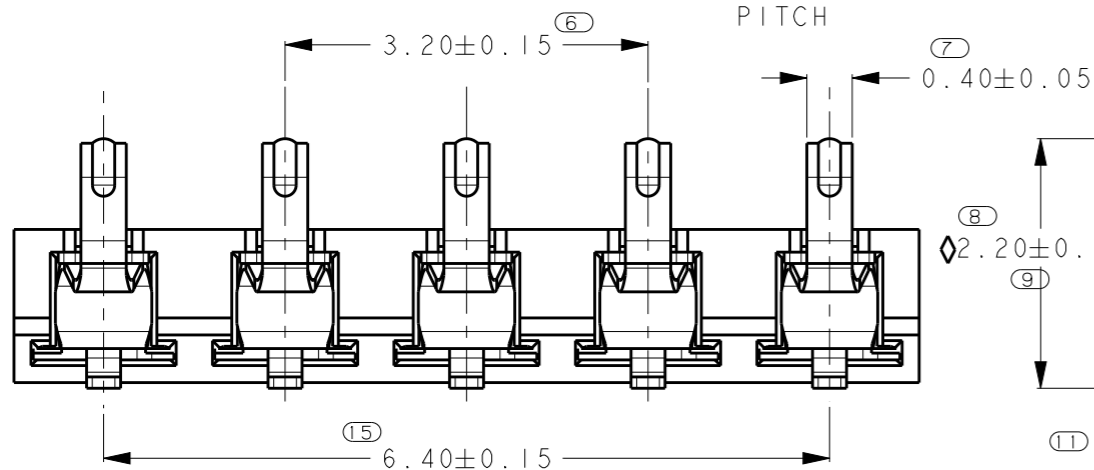
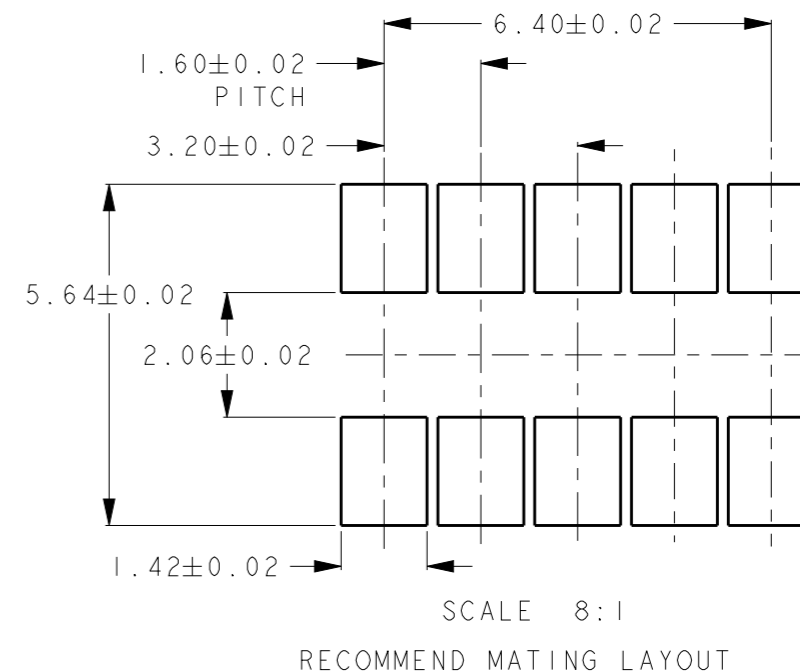
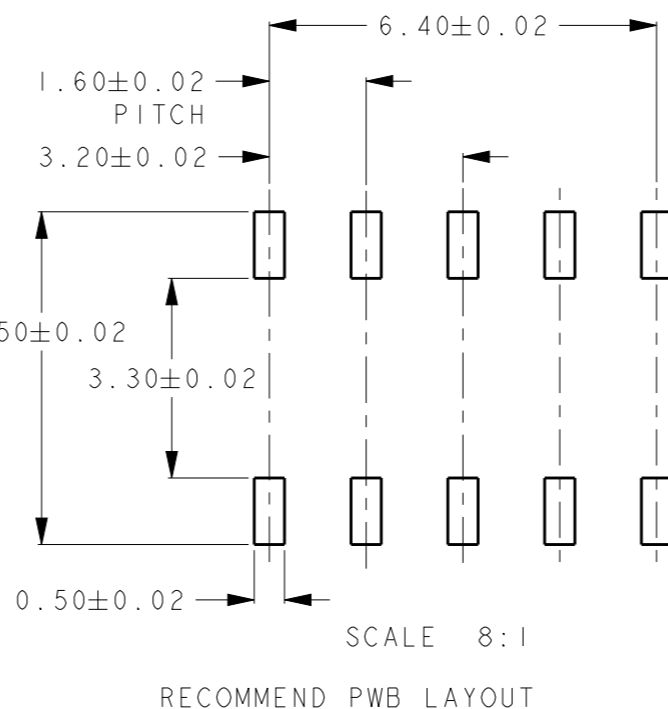
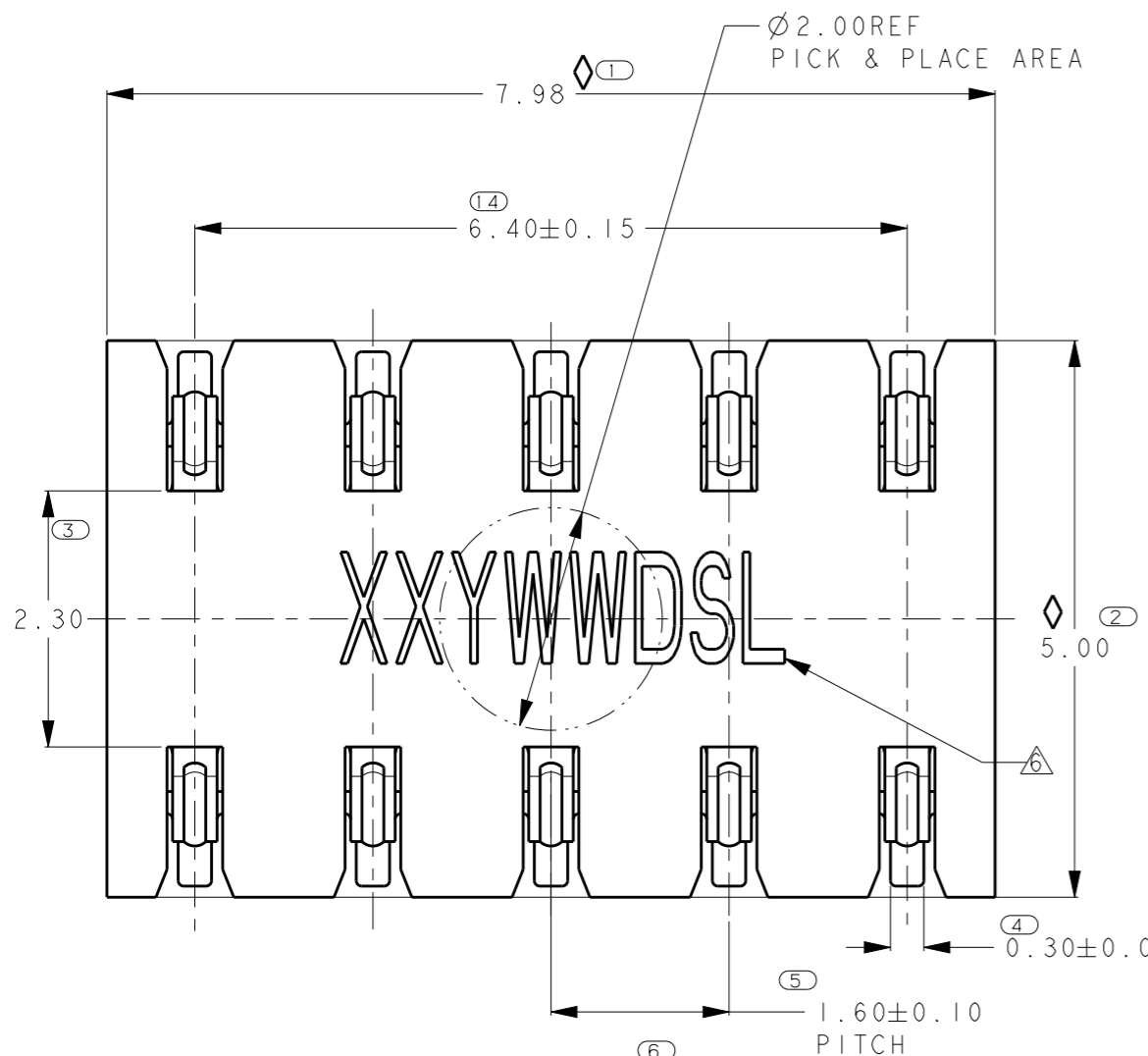
REVISIONS

© COPYRIGHT 20

ALL RIGHTS RESERVED.

P	LTR	DESCRIPTION	DATE	DWN	APVD
	A	INITIAL	20MAR2013	R.W	S.Y

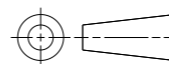
AS SHOWN: 2199035-2



- NOTES:
- △ MATERIAL
TERMINAL : COPPER ALLOY, THICKNESS 0.10mm.
HOUSING : HIGH TEMPERATURE THERMAL PLASTIC
UL94V-0 BLACK
 - △ FINISH
TERMINAL : 0.10-0.2 um GOLD PLATING ON CONTACT AREA,
1.25 um MIN. NICKLE UNDER PLATING,
GOLD FLASH PLATING ON SOLDERING AREA.
 - ◇3 COPLANARITY : 0.08 MAX. AMANG ALL SOLDER TAILS.
 - 4 PACKAGING : TAPE & REEL.
 - 5 NMP CODE : 5469B96.
 - △6 DATE CODE : "XXYWWSL"
XX = VERSION NO. FOR EXAMPLE: PI, VI, AI
P = PROTO TOOL; V = PRODUCTION TOOL; A = MASS APPROVED.
YYWD = PRODUCTION DATE (YEAR, WEEK, DAY).
S = SHIFT (D=DYA, N=NIGHT); L = LINE NUMBER.

THIS DRAWING IS A CONTROLLED DOCUMENT.

DIMENSIONS:
mm



TOLERANCES UNLESS OTHERWISE SPECIFIED:
±0.20

- 0 PLC ±
- 1 PLC ±
- 2 PLC ±
- 3 PLC ±
- 4 PLC ±
- ANGLES ±5°

MATERIAL



FINISH



DWN 20MAR2013

RAY WANG

CHK 20MAR2013

WENKE HE

APVD 20MAR2013

STEVEN YAO

PRODUCT SPEC

108-115039

APPLICATION SPEC

-

WEIGHT

0.101g

CUSTOMER DRAWING



TE Connectivity

NAME
ONE PIECE BtoB CONNECTOR
10 PINS, 1.6MM PITCH, HI.65, TWO ROWS

SIZE CAGE CODE DRAWING NO RESTRICTED TO

A300779 C-2199035

SCALE 15:1 SHEET 1 OF 2 REV A

4

3

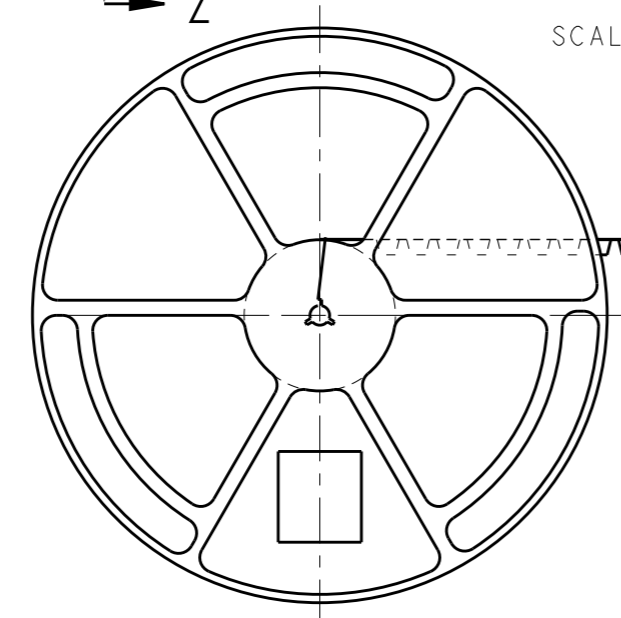
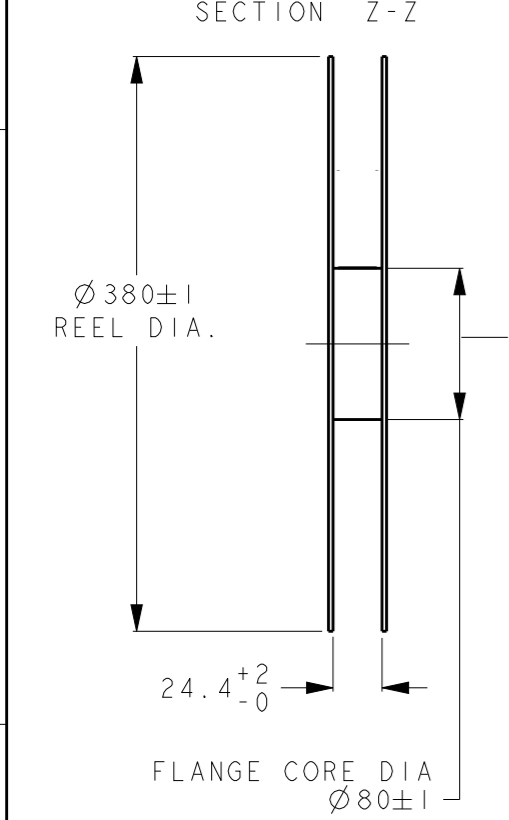
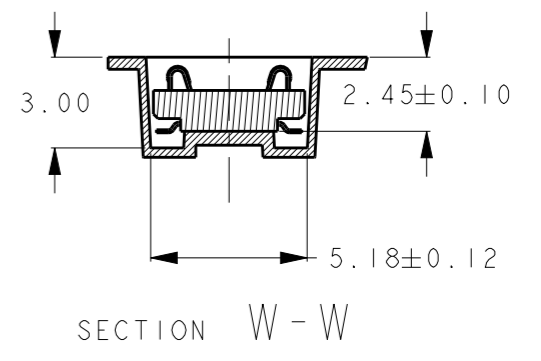
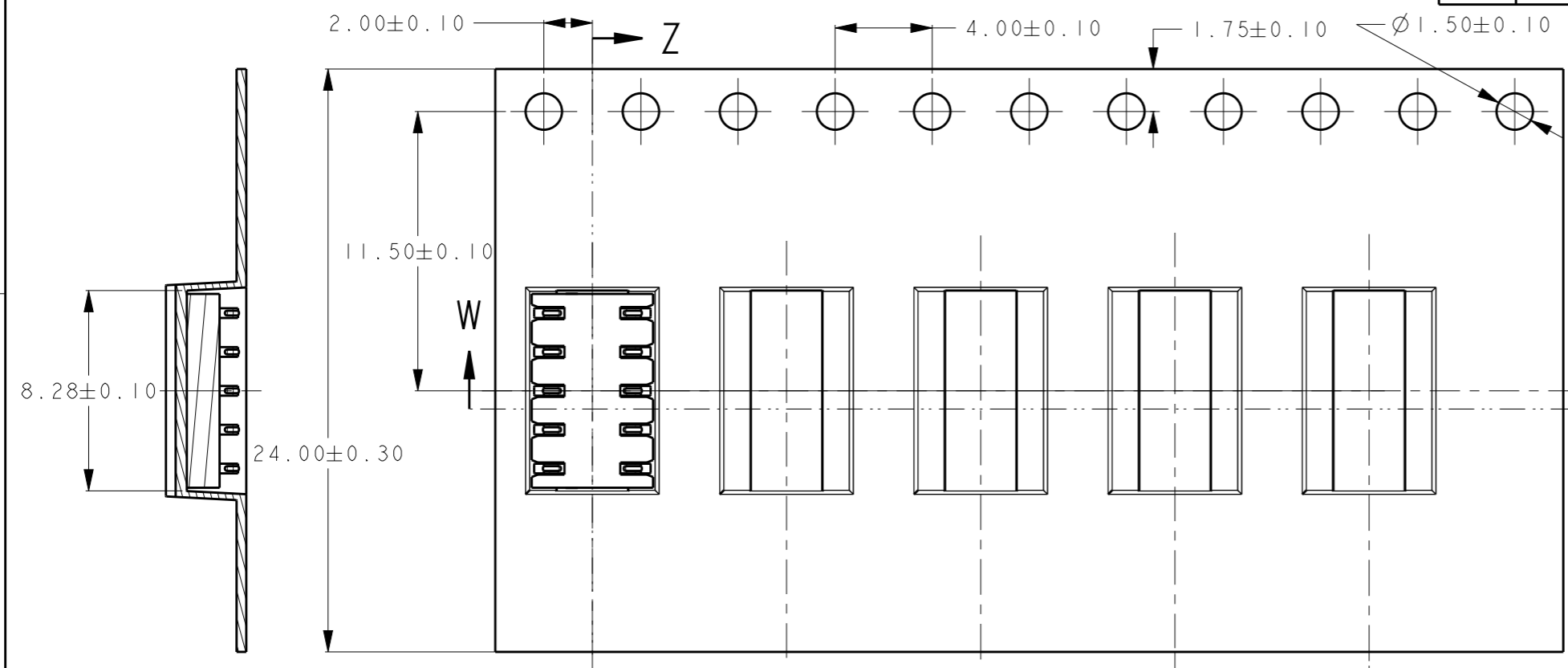
2

1

THIS DRAWING IS UNPUBLISHED. RELEASED FOR PUBLICATION 20 ALL RIGHTS RESERVED.

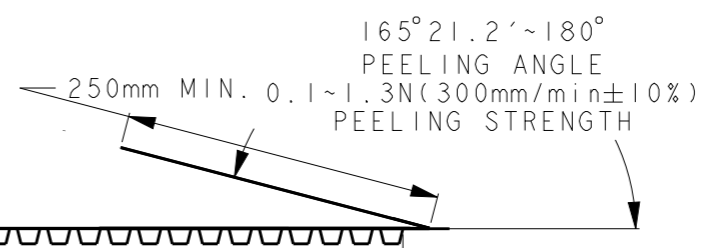
LOC ES DIST

REVISIONS					
P	LTR	DESCRIPTION	DATE	DWN	APVD
-	-	SEE SHEET 1	-	-	-



SCALE 4:1

8.00




40mm MIN. WITHOUT CHARGE SEALED WITH COVER TAPE

WITH PRODUCT CHARGE 3500 PCS/IREEL

100mm MIN. WITHOUT CHARGE SEALED WITH COVER TAPE

NOTES:
 1. MATERIAL: P.S CLEAR, 0.4MM THICKNESS.
 2. QUANTITY PER REEL: 3500 PIECES.

THIS DRAWING IS A CONTROLLED DOCUMENT.		DWN	20MAR2013	 TE Connectivity	NAME ONE PIECE BtoB CONNECTOR 10 PINS, 1.6MM PITCH, HI.65 TWO ROWS
		CHK	20MAR2013		
		APVD	20MAR2013		
		STEVEN YAO			
DIMENSIONS:	TOLERANCES UNLESS OTHERWISE SPECIFIED:	PRODUCT SPEC		SIZE	RESTRICTED TO
mm	±0.20	APPLICATION SPEC		A300779	
	0-PLC ±	WEIGHT		C=2199035	
	1-PLC ±	CUSTOMER DRAWING		SCALE 15:1	
	2-PLC ±			SHEET 2 OF 2	
	3-PLC ±			REV A	
	4-PLC ±				
	ANGLES ±5°				
MATERIAL	FINISH				