

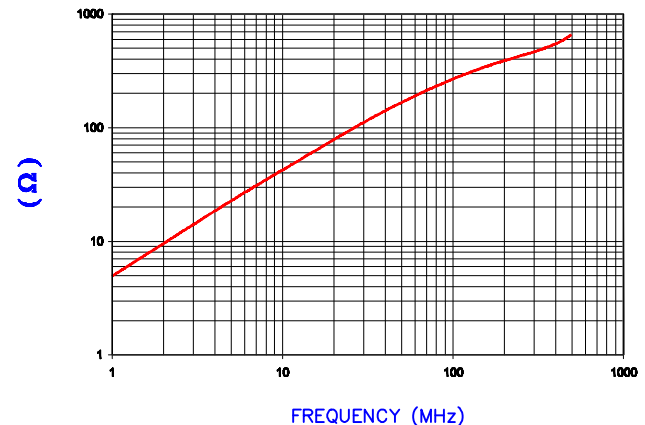
**CORE DIMENSIONS:**

A	14.99 [.590]	+	0.23 [.009]
B	6.76 [.266]	+	0.25 [.010]
C	28.83 [1.135]	+	0.51 [.020]
D	7.49 [.295]	+	0.18 [.007]

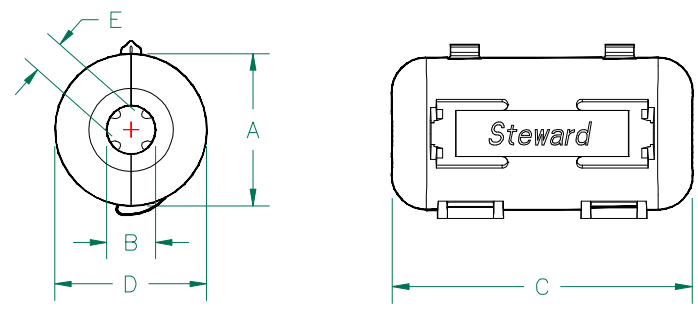
**UNCONTROLLED DOCUMENT**

IMPEDANCE (Z)			
Frequency	25 MHz	100 MHz	300 MHz
Nominal (REF)	95 Ω	270 Ω	460 Ω
Minimum	- Ω	216 Ω	- Ω

Z vs. FREQUENCY (REF. ONLY)



AGILENT E4991A Impedance/Material Analyzer  
HP 16092A-Test Fixture



**CASE DIMENSIONS:**

A	21.00 [.827]	+	Ref.
B	6.80 [.268]	+	Ref.
C	41.70 [1.642]	+	Ref.
D	21.00 [.827]	+	Ref.
E	4.85 [.191]	+	Ref.

**NOTES:**

1. CASE COLOR: WHITE – "0A0"
2. CASE FLAMMABILITY RATING: UL94 V-2.
3. CASE MATERIAL: Halogen Free Nylon OR EQUIVALENT

DIMENSIONS ARE IN mm [INCHES].				This print is the property of Laird Tech. and is loaned in confidence subject to return upon request and with the understanding that no copies shall be made without the written consent of Laird Tech. All rights to design or invention are reserved.		Laird TECHNOLOGIES	
				PROJECT/PART NUMBER:	REV	PART TYPE:	DRAWN BY:
				28A2026-0A0	A	CASE ASSEMBLY	Jcai
				DATE:	SCALE:	MATERIAL:	
				10/15/12	NTS	FERRITE	
				CAD #	TOOL #		
				28A2026-0A0-A	-		
REV	DESCRIPTION	DATE	INT				
A	ORIGINAL DRAFT	10/15/12	Jcai				