

**Ratings**

Temperature: -40 ~ 70 °C  
Voltage: 150 V

**Conductor**

Gauge: 26 AWG, 0.13 mm<sup>2</sup>  
Material: tinned copper strands  
Stranding:  $\phi$ 0.08 x 26  
Resistance at 20 °C: 150  $\Omega$ /km max

**Insulator**

Material: HDPE  
Color: black, white, red  
Outer diameter:  $\phi$ 0.9  $\pm$ 0.10 mm  
Nominal thickness: 0.20 mm  
Resistance at 20 °C: 1000 M $\Omega$ /km min

**Shield**

Type: spiral  
Material: tinned copper strands  
Strand size:  $\phi$ 0.08 mm  
Coverage: 90 % minimum

**Outer jacket**

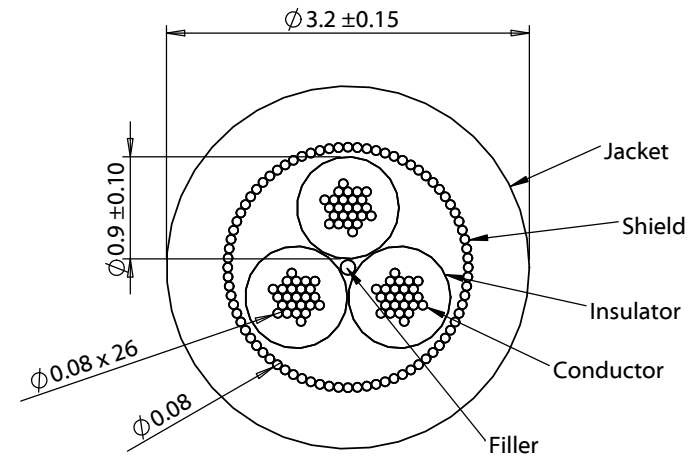
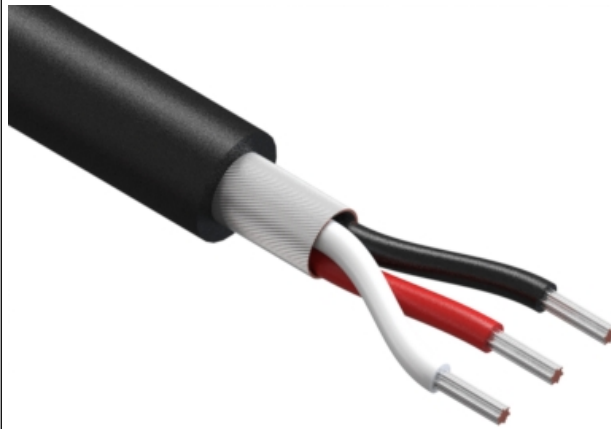
Material: TPU, 70 °C  
Color: black  
Nominal thickness: 0.50 mm  
Diameter:  $\phi$ 3.2  $\pm$ 0.15 mm

**Filler**

Material: aramid fiber

**Tests**

Tensile strength: 35.7 kgf  
Dielectric test: 1500 V dc for 1 minute without breakdown  
Bend test at 200 g,  $\pm$ 90 °, 30 cycles /min: 15,000 cycle minimum



REVISION	DATE	DESCRIPTION
A	9/29/2015	Initial release
A1	1/13/2016	Updated notes, corrected tolerances
A2	1/17/2019	Changed filler material to generic name

PREPARED:

NOTES

RoHS and REACH compliant

VERIFIED:

Jacket meets ISO 10993 biological compatibility

Phthalate and halogen free

DIMENSIONS ARE IN MILLIMETERS

Function test: no open, no short, no intermittent

TOLERANCES:

X:  $\pm$  0.5 mmX.X:  $\pm$  0.3 mmX.XX:  $\pm$  0.05 mm

DESCRIPTION:

Wire, 3C TS, 26 AWG, 150V, 70C, 3.2 mm, spiral shield, TPU

**TENSILITY**

20802 Sockeye Place #130

Bend, OR 97701 USA

tel 541.323.3228 fax 541.323.4202

800 877.670.7118 www.tensility.com

SIZE

A

PART NUMBER

30-00496

SCALE: 1:1

SHEET 1 OF 1