



Vertical RJ45 Connector with No Magnetics

ARV11NM-4497



- Industrial Operating Temp: -40°C to +85°C
- Storage Temperature: -40°C to +85°C

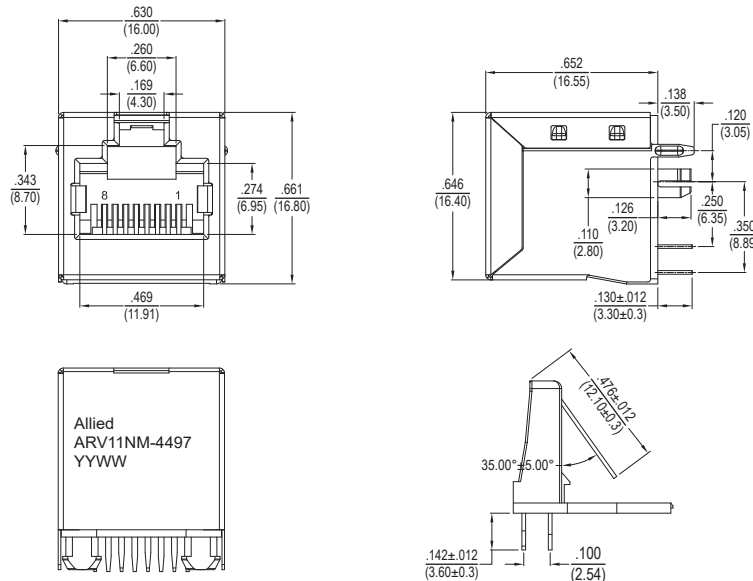
Electrical Specifications @ 25°C

Voltage Rating (VAC RMS)	Current Rating (Amp)	Contact Resistance (Max)	Insulation Resistance (Min @ 500 VDC)	Dielectric Strength 50Hz / 60Sec
125	1.5	50mΩ	500MΩ	500VAC RMS

All specifications subject to change without notice.

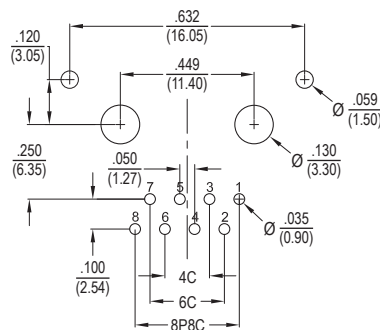
MECHANICAL

Dimensions:  $\frac{\text{inch}}{\text{mm}}$



Unless otherwise specified, tolerance is ±.006(0.15)

PCB LAYOUT



Unless otherwise specified, tolerance is ±.006(0.15)

NOTES

1. Housing: PBT+30%GF UL94V-0, Black
2. Insert: PBT+30%GF UL94V-0, Black
3. Contact: Phosphor Bronze, T=0.35mm, Contact Plated with Gold
4. Shield: C2680-H, T=0.25mm