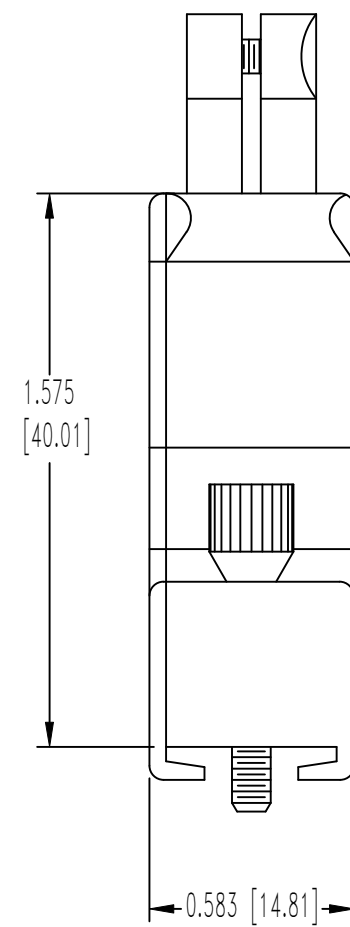
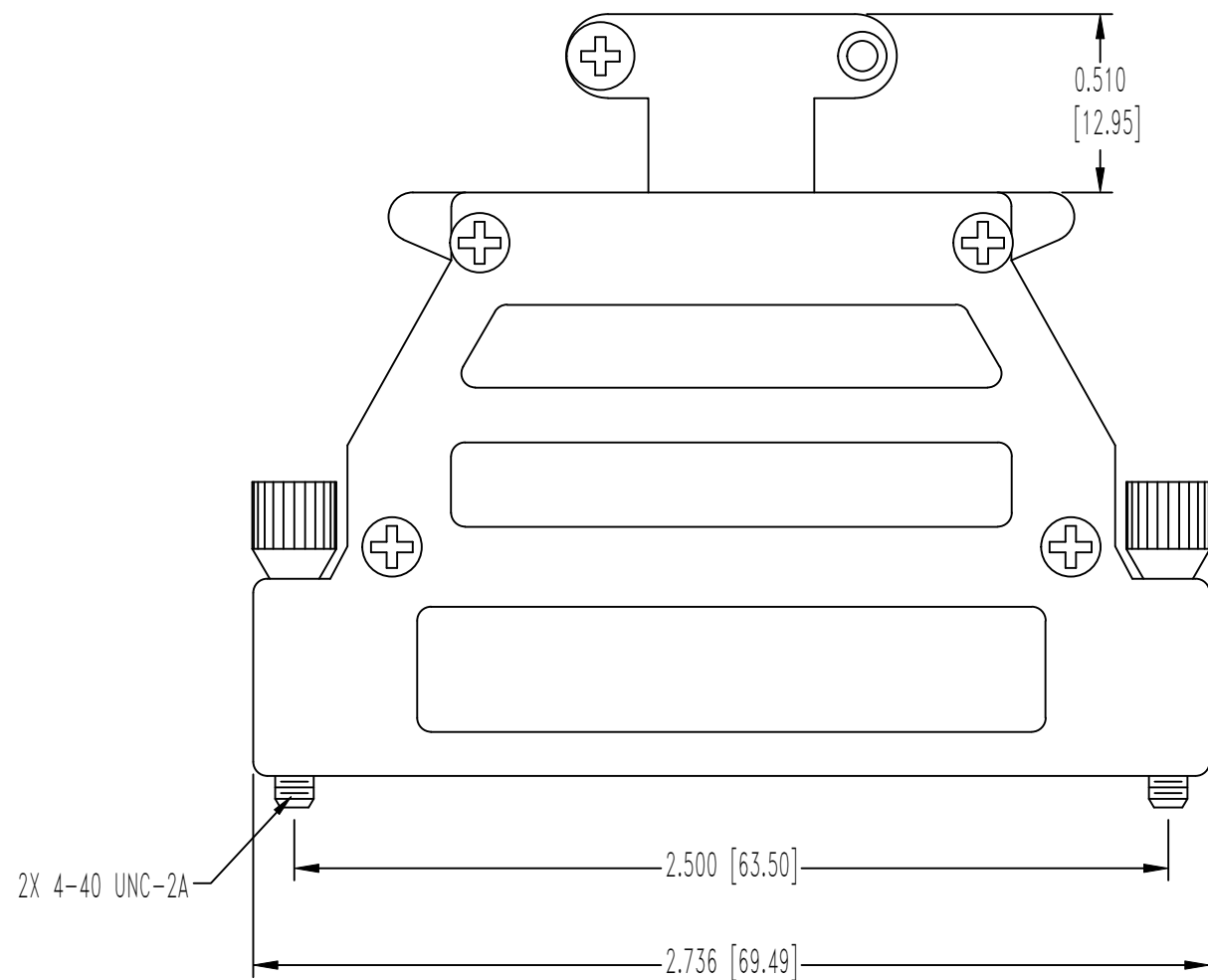


SK16838

THIS DRAWING CONTAINS INFORMATION PROPRIETARY TO POSITRONIC AND ITS SUBSIDIARIES. POSITRONIC BELIEVES THE DATA ON THIS DRAWING TO BE RELIABLE, SINCE THE TECHNICAL INFORMATION IS GIVEN FREE OF CHARGE, THE USER EMPLOYS SUCH INFORMATION AT HIS OWN DISCRETION AND RISK. POSITRONIC ASSUMES NO RESPONSIBILITY FOR RESULTS OBTAINED OR DAMAGES INCURRED FROM USE OF SUCH INFORMATION IN WHOLE OR IN PART.

| DATE | REV | REVISION RECORD | APP | DR | CK |
|--------|-----|-----------------|------|----|----|
| 1-7-15 | NC | ECO 45433 | COLE | MP | CP |
| | | | | | |
| | | | | | |



NOTES:

- MATERIALS AND FINISHES:
HOOD AND CABLE CLAMPS: DIE CAST ZINC.
JACKSCREWS: STEEL WITH NICKEL PLATE.
- DETAILED PRODUCT, MECHANICAL, AND ELECTRICAL INFORMATION IS AVAILABLE IN THE LATEST D-SUB ACCESSORY PRODUCT PUBLICATION. VISIT CONNECTPOSITRONIC.COM/PRODUCTS/58/D-SUBMINIATUREACCESSORIES OR CONNECTPOSITRONIC.COM.
- HOODS ARE COMPLIANT TO THE CURRENT ROHS DIRECTIVE.
- DIMENSIONS ARE IN INCHES [MILLIMETERS].

| | | | |
|----------------------|--|------------|-----------------|
| | POSITRONIC INDUSTRIES INC. www.connectpositronic.com | | FSCM 28198 |
| | DECIMAL TOL. ± 0.015 [0.38] | D SERIES | SCALE N.T.S. |
| ANGULAR TOL. ± 5° | TITLE D37000GE0/AA | | DATE 1-7-15 |
| | DRAWING NUMBER SK16838 | REV. NC | |