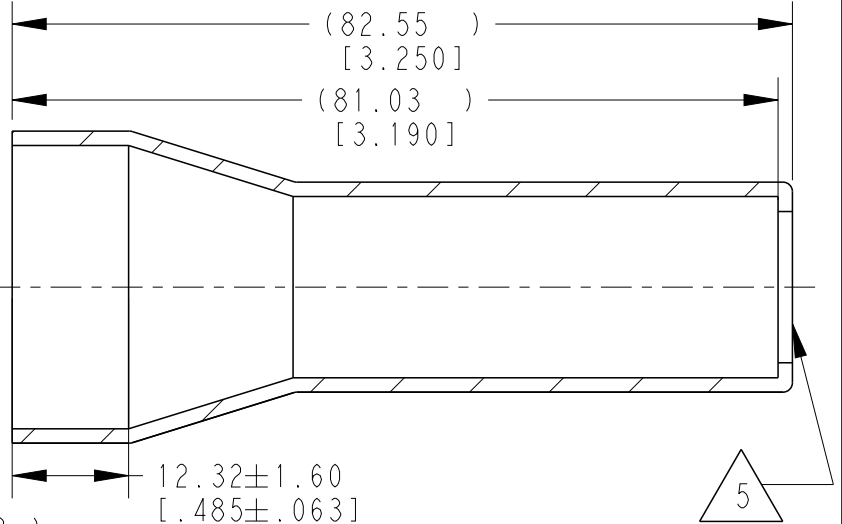
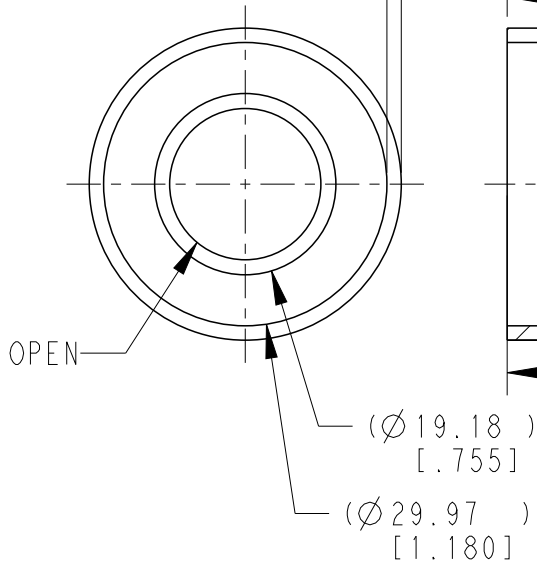


SCALE 1:2

REVISIONS

P	LTR	DESCRIPTION	DATE	DWN	APVD
	A	NEW RELEASE PER ECO-14-013276	27AUG2014	DM	DM
	A1	REVISE PER PCN E-19-014486	16SEP2019	JA	IG
	A2	REVISED PER PCN E-20-004409	24MAR2020	AP	IG

1.52±0.25
[.060±.010]
MEASURED 6.35±0.64
[.250±.025]
FROM OPEN END



6. SMALL NON-FILLS ARE ACCEPTABLE INSIDE OF PART, INCLUDING SUPPLIER MARKING.
5. SMALL MATERIAL EXTENSION IS ACCEPTABLE ON THIS END ALL AROUND. WALL THICKNESS ON THIS END MAY VARY.
4. BOTTOM OF PART IS MOLDED OPEN.
3. THIS ACCESSORY PART IS PROVIDED WITHOUT TYPICAL TRANSPORTATION INDUSTRY PROCESS CONTROLS. NO VALIDATION TESTING HAS BEEN PERFORMED. CUSTOMER IS RESPONSIBLE FOR DETERMINING PRODUCT PERFORMANCE AND SUITABILITY FOR APPLICATION.
2. TEMPERATURE RATING: -29°C TO +100°C [-20°F TO +212°F].
1. THIS PART IS USED ON
HDP24-18-XXX RECEPTACLES
HDP26-18-XXX PLUGS
HD34-18-XXX RECEPTACLES
HD36-18-XXX PLUGS
WHERE XXX IS PIN ARRANGEMENTS.

NOTES:

TE INTERNAL PN	DEUTSCH PN
HD30-18BT	HD30-18BT

THIS DRAWING IS UNPUBLISHED. ALL RIGHTS RESERVED. BY TE CONNECTIVITY. COPYRIGHT 2014

DIMENSIONS:	
mm [INCHES]	
TOLERANCES UNLESS OTHERWISE SPECIFIED:	
0 PLC	±
1 PLC	±
2 PLC	±
3 PLC	±0.63 [.025]
4 PLC	±
ANGLES	±0° 30' 0"

DWN D.MEYER	27AUG2014
CHK I.GRANTCHAROVA	27AUG2014
APVD D.MEYER	27AUG2014
PRODUCT SPEC	
APPLICATION SPEC	
WEIGHT	9.66g

MATERIAL	PVC	FINISH	GRAY
TE TE Connectivity			
NAME BOOT, SIZE 18 HD30/HDP20 SERIES			
SIZE	CAGE CODE	DRAWING NO	RESTRICTED TO
A 4	4AFU8	©-HD30-18BT	-

CUSTOMER DRAWING	SCALE	5:4	SHEET	1 OF 1	REV	A2
------------------	-------	-----	-------	--------	-----	----