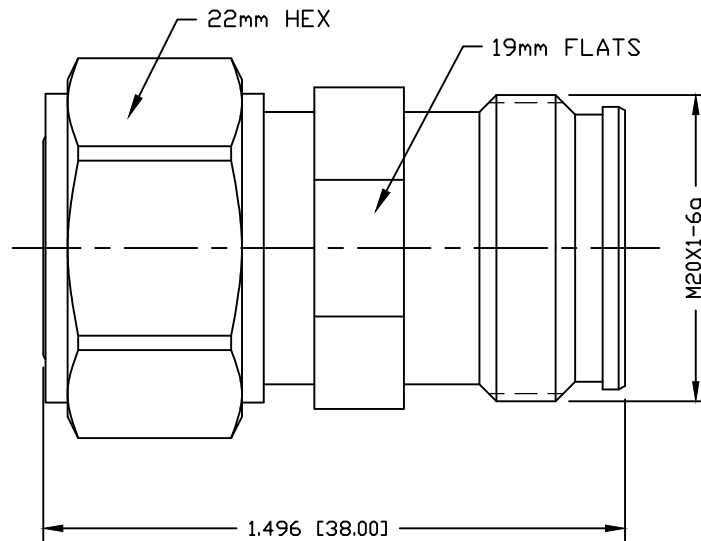


PART NO.		RFD-43M-F		
REV	DESCRIPTION	DWN	DATE	APPROVED
-	ENGINEERING RELEASE	CZS	11/14/19	JDMc



SPECIFICATIONS:

IMPEDANCE: 50 OHMS
 FREQUENCY RANGE: DC-7.5 GHz
 VSWR MAX: <1.1 @ 3GHz
 3rd ORDER IM: <-160 dBc

7	SHELL	1	BRASS	WHITE BRONZE
6	GASKET	1	SI RUBBER	----
5	C-RING	1	BRASS	----
4	CONTACT	1	BeCu	SILVER
3	PIN	1	BeCu	SILVER
2	INSULATOR	1	PTFE	----
1	BODY	1	BRASS	WHITE BRONZE
#	DESCRIPTION	QTY	MATERIAL	FINISH

CUSTOMER OUTLINE DRAWING	
ALL DIMENSIONS ARE REFERENCE ONLY	
UNLESS OTHERWISE SPECIFIED: DIMENSIONS ARE IN INCHES AND [MILLIMETERS]	
DRAWN C. ZUNIGA	11/14/19
CHECKED	
ORJ DRAWN C. ZUNIGA	11/14/19

**RoHS
COMPLIANT**

PROPRIETARY AND CONFIDENTIAL
 THIS DRAWING CONTAINS
 INFORMATION PROPRIETARY TO
 RF INDUSTRIES. ANY
 UNAUTHORIZED USE OF THIS
 DRAWING IS EXPRESSLY
 PROHIBITED WITHOUT WRITTEN
 PERMISSION FROM RF
 INDUSTRIES. ANY VIOLATION IS
 PUNISHABLE UNDER U.S.
 COPYRIGHT LAWS.

RFconnectors
 DIVISION OF RF INDUSTRIES, LTD.

7610 MIRAMAR RD.
 SAN DIEGO, CA 92126
 (858) 549-6340
 (858) 549-6345 FAX

4.3-10 MALE TO FEMALE ADAPTER			
SIZE A	CABLE GROUP N/A	DWG NO. RFD-43M-F	REVISION ---
SCALE: NTS	ENGINEERING ID: 000000	SHEET 1 OF 1	