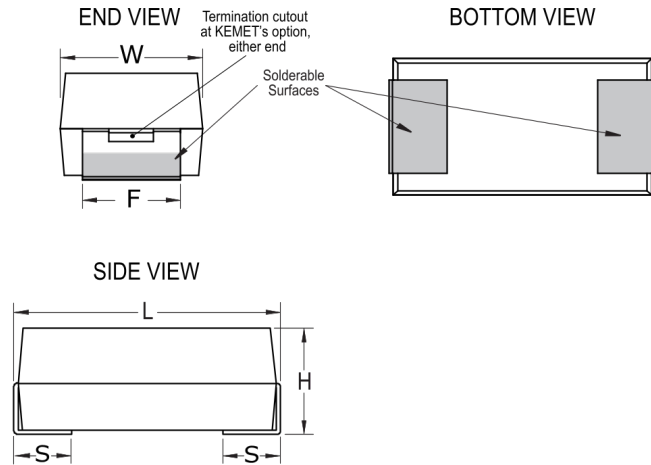


## T493C226K010BH6130

Aliases (DLA Drawing 07016-035KBHZ)

T493 HRA, Tantalum, MnO2 Tantalum, HRA, 22 uF, 10%, 10 VDC, SMD, MnO2, Molded, DLA Drawing, B (0.1%/1000 Hrs), 290 mOhms, 6032, Height Max = 2.8mm



Click [here](#) for the 3D model.

### Dimensions

Footprint	6032
L	6mm +/-0.3mm
W	3.2mm +/-0.3mm
H	2.5mm +/-0.3mm
S	1.3mm +/-0.3mm
F	2.2mm +/-0.1mm

### Packaging Specifications

Packaging	T&R, 178mm
Packaging Quantity	500

### General Information

Series	T493 HRA
Dielectric	MnO2 Tantalum
Style	SMD Chip
Description	SMD, MnO2, Molded, DLA Drawing
RoHS	No
Prop 65	<b>⚠ WARNING:</b> Cancer and reproductive harm - <a href="http://www.p65warnings.ca.gov">http://www.p65warnings.ca.gov</a> .
SCIP Number	1dd2e1b8-26dd-4d52-927c-6f9d519011aa
Termination	Solder Coated
AEC-Q200	No
Component Weight	224.2 mg

### Specifications

Capacitance	22 uF
Capacitance Tolerance	10%
Voltage DC	10 VDC (85C), 6.7 VDC (125C)
Temperature Range	-55/+125°C
Rated Temperature	85°C
Dissipation Factor	6% 120Hz 25C
Failure Rate	B (0.1%/1000 Hrs)
Resistance	0.29 Ohms (100kHz 25C)
Ripple Current	606 mA (rms, 100kHz 25C)
Leakage Current	2.2 uA (5min 25°C)
Testing and Reliability	Standard Testing Only