

RRU-1 Universal Mount

◆ Applications and Instructions ◆

Method of Operation

- The UL924 Listed RRU-1 emergency shunt relay allows emergency luminaires powered by an emergency generator or inverter to be switched off, but automatically illuminate during a utility power failure or room power interruption, regardless of local switch position. This meets NFPA 1104-2.4.1, OSHA, and all relevant life safety codes.
- The RRU-1 line voltage input is connected to a sensing circuit. Upon power interruption on the sensing input, the output relay contact drops into a N.C. position and turns on the emergency load(s). Review wiring diagram, on reverse, for details.

Electrical Specifications

MODEL RRU-1-120 or RRU-1-277
 Line Voltage Sensing Input
 Dry Contact Output
 20 Amp Load Rating
 N.C. Contact



Mechanical Specifications

UL94V-0 Flame Rating | Shipping Weight: 8 oz
 Temperature: 32°F - 140°F | Color : Black
 Size (with mounting ears):
 3-3/4"(L) x 1-3/4"(W) x 1-1/4"(H)

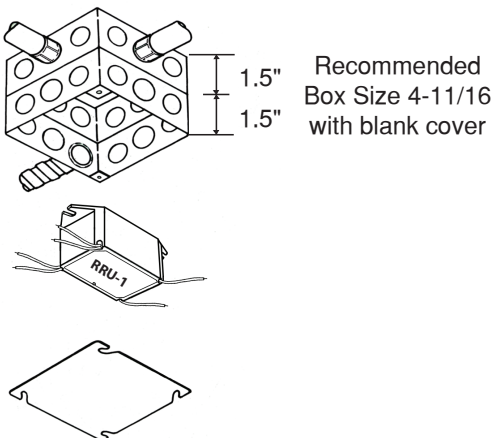
5 YEAR WARRANTY

Installation

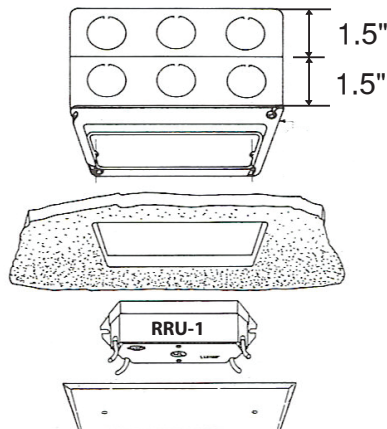
The RRU-1 can be installed above the suspended ceiling in a junction box or in the light fixture ballast channel.

RRU-1 can also be mounted in plenum, when tiles are removable.

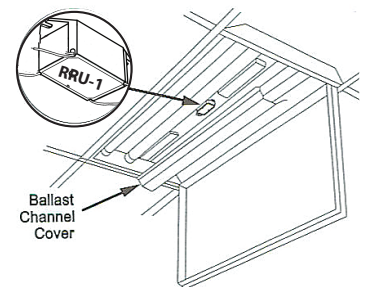
RRU-1 Universal Mount Wall or Ceiling Installation



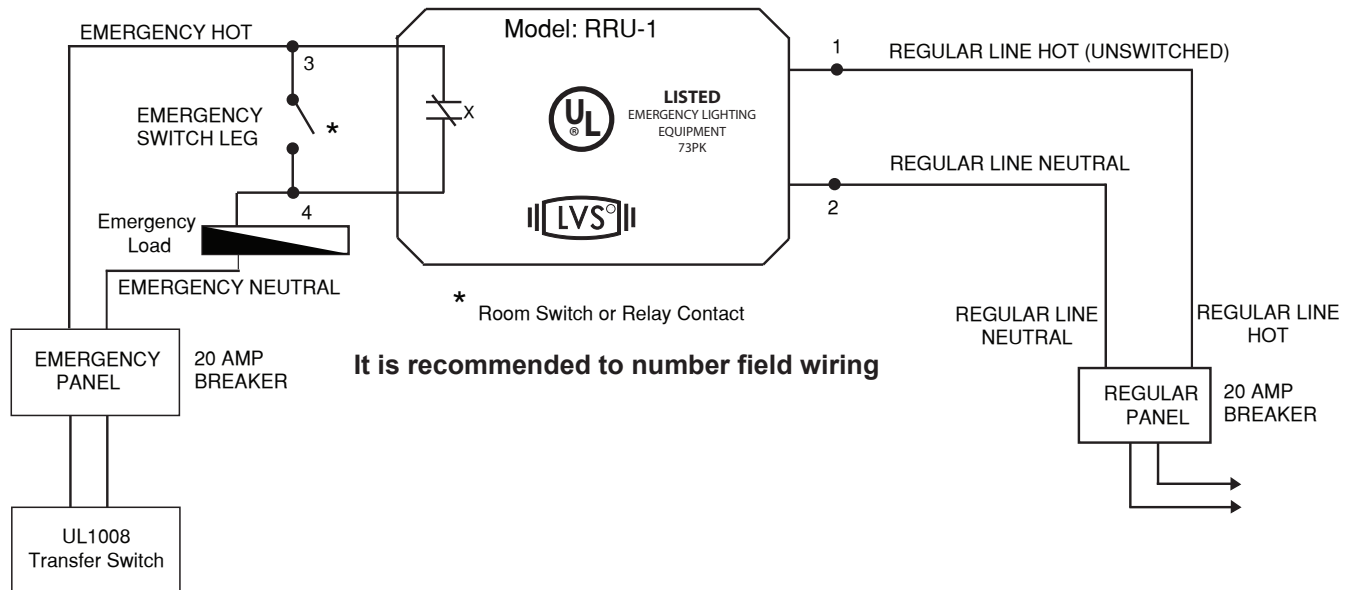
RRU-1 Universal Mount Fire Ceiling Installation



RRU-1 Universal Mount Fixture Mount Installation



Model RRU-1 Installation Instructions



Installation

In order to install the RRU-1 in accordance with national/local code requirements, a qualified electrician should review and understand the installation instructions: Check voltage and current requirements. Verify and lock out circuit breakers on both normal power and 24 hours emergency circuit. Install a self-adhesive 2" x 3" caution label in each fixture or load controlled by an RRU-1 unit cautioning that this load is supplied from 2 different power sources, regular and emergency. Review wiring diagram and connect wires, one group at a time, in accordance with the numeric identification.

In order to provide a safe light level, when regular power is interrupted, it is recommended that a minimum of two 4' fluorescent tubes providing approximately 5000 lumen are controlled by a 24 hour emergency circuit and are spaced no farther than 24' in any direction from each other in a normal 9' white ceiling environment. The RRU-1 is a universal mount unit, convenient and fast to install virtually anywhere.

Troubleshooting & Maintenance of RRU-1

If RRU-1 does not function properly on startup perform the following tests:

To test normal operation, ensure branch circuit breaker is connected and utility power is available. Toggle room switch, or relay contact for emergency light and ensure that emergency light goes on and off.

To test emergency operation, turn room switch or relay contact to "OFF" position. Turn regular branch circuit breaker to "OFF" position and verify that emergency light illuminates, while regular lights remain off.

No maintenance is required to keep the RRU-1 functional. However, regular testing should be performed when the lamps or ballasts have been replaced or when facility remodeling has taken place.