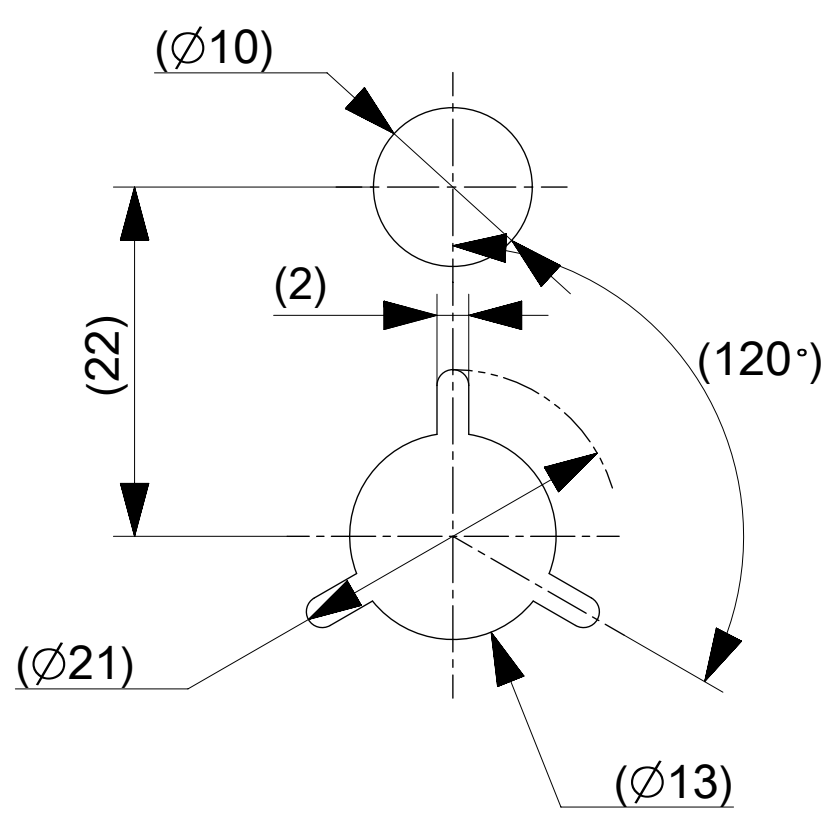


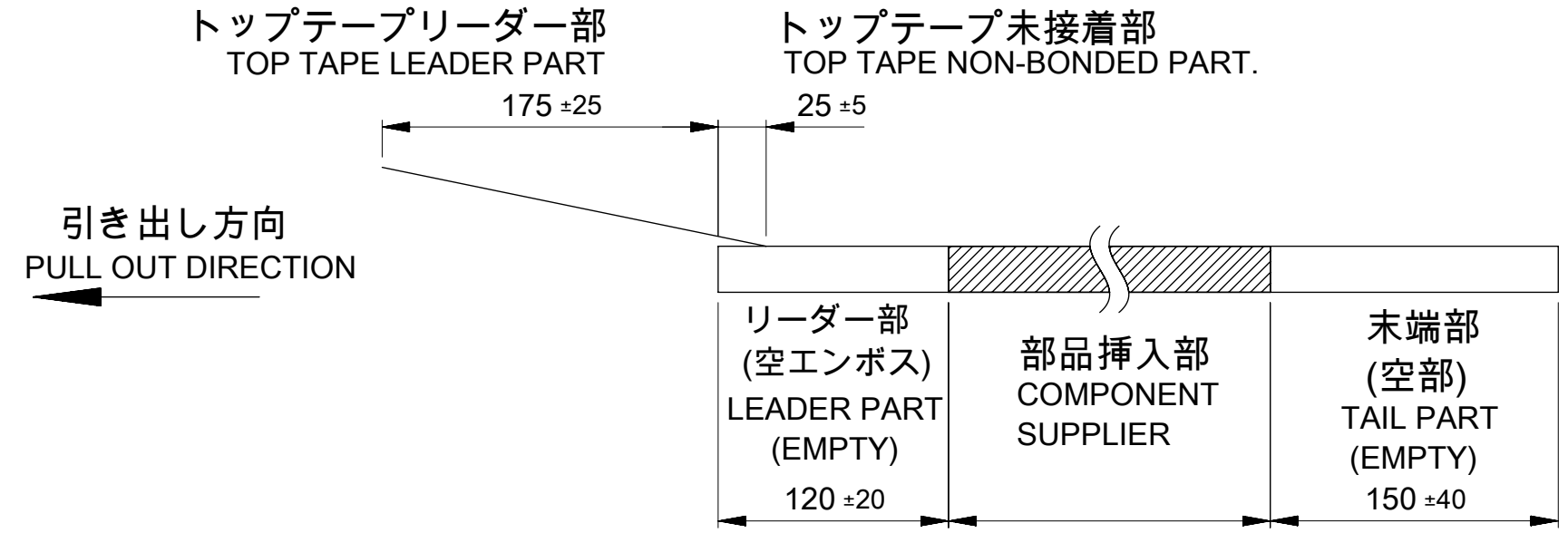
DETAIL D



DETAIL "D"

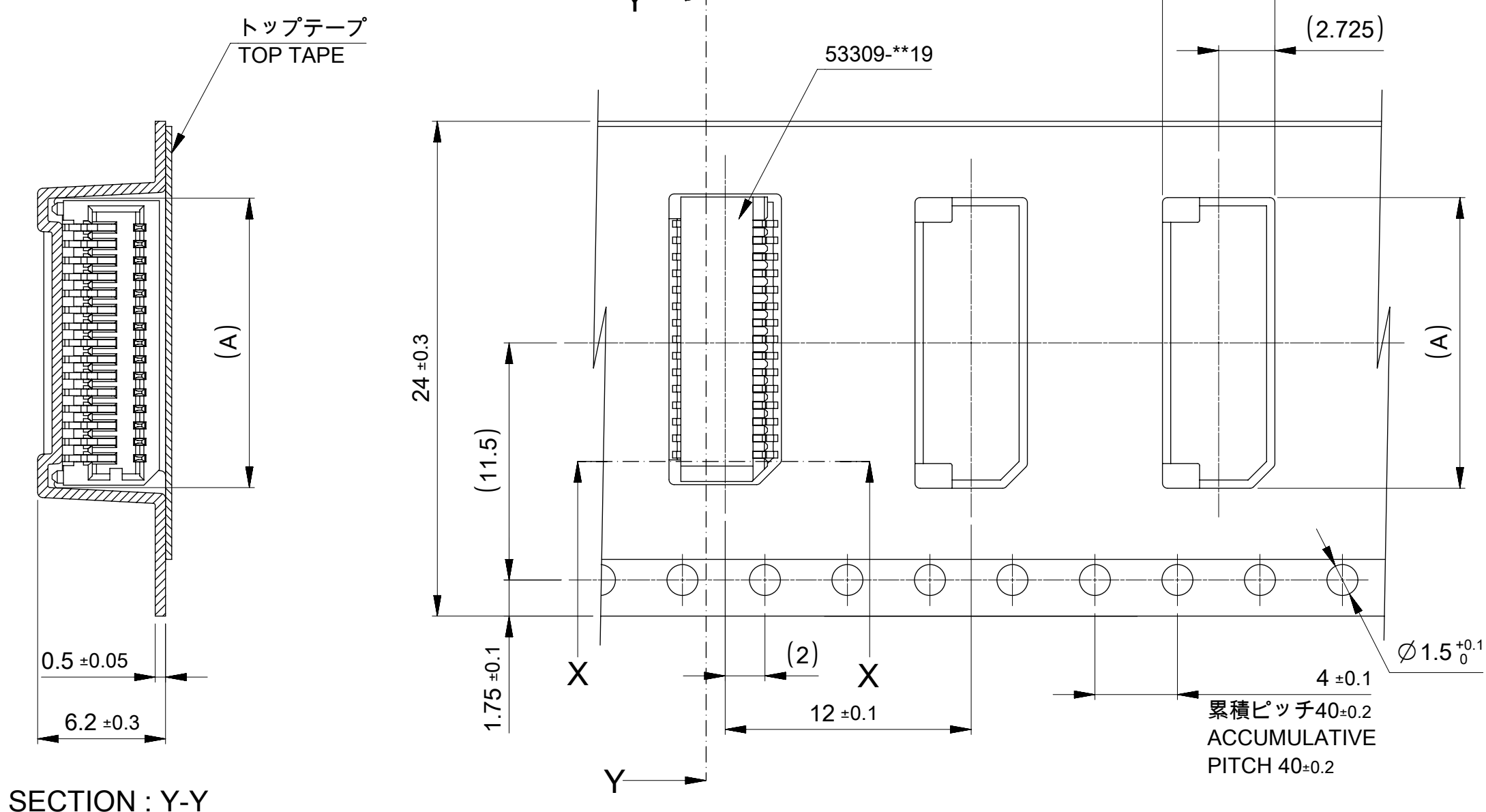
注記 NOTES

- 梱包数量 : 1000個/リール NUMBER OF CONNECTORS : 1000PCS/REEL
- リードテープ長さ LEAD TAPE LENGTH



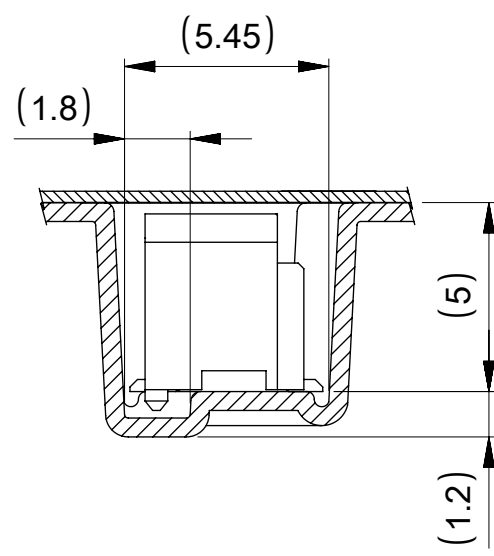
- トップテープの剥離強度についてはIEC60286-3に準拠。  
TOP TAPE PEEL FORCE IS DEFINED BY IEC60286-3.
- 材料 キャリアテープ : ポリプロピレン (PP)  
トップテープ : PET, PE, PEF  
リール : ポリスチレン (PS) <リサイクル材を含む>  
MATERIAL  
CARRIER TAPE : POLYPROPYLENE  
TOP TAPE : PET, PE, PEF  
REEL : POLYSTYRENE (PS) < CONTAINED RECYCLE MATERIAL >
- 本製品は53309-\*\*90の鉛フリー品である。  
THIS PRODUCT IS LEAD FREE OF 53309-\*\*90.

THIS DRAWING CONTAINS INFORMATION THAT IS PROPRIETARY TO MOLEX ELECTRONIC TECHNOLOGIES, LLC AND SHOULD NOT BE USED WITHOUT WRITTEN PERMISSION									
DIMENSION UNITS		SCALE		CURRENT REV DESC:				<b>molex</b>	
mm		NTS							
GENERAL TOLERANCES (UNLESS SPECIFIED)				EC NO: 653700				0.8 MM PITCH B-TO-B CONN. PLUG (WITH BOSS) EMBOSS TAPE PACKAGE	
ANGULAR TOL ± °				DRWN: AHMADI2 2021/02/03					
4 PLACES ±				CHK'D: HSHIMOYAMA 2021/02/26				PRODUCT CUSTOMER DRAWING	
3 PLACES ±				APPR: SHOSHIKAWA 2021/02/26					
2 PLACES ±				INITIAL REVISION:				DOCUMENT NUMBER	
1 PLACE ±				DRWN: YSATO06 2017/03/23				533090000	
0 PLACES ±				APPR: TKUSUHARA01 2017/03/27				PSD 001 C	
DRAFT WHERE APPLICABLE MUST REMAIN WITHIN DIMENSIONS		THIRD ANGLE PROJECTION		DRAWING		SERIES		MATERIAL NUMBER	
				A2-SIZE		53309		SEE CHART	
DOCUMENT STATUS		RELEASE DATE		CUSTOMER		SHEET NUMBER			
P1		2021/02/26 10:23:44		GENERAL		1 OF 2			

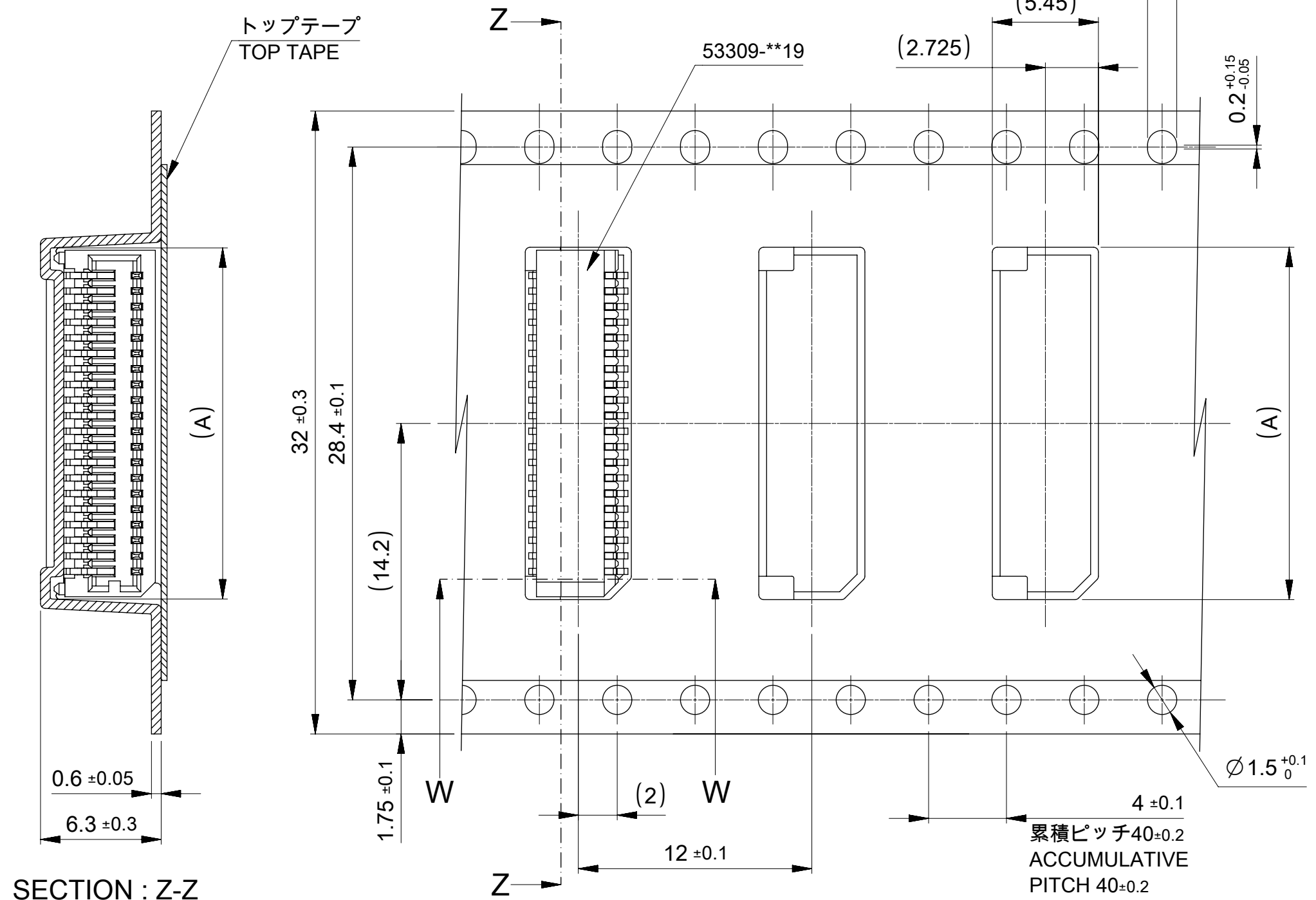


SECTION : Y-Y

24mm幅キャリアテープ  
24mm WIDTH CARRIER TAPE

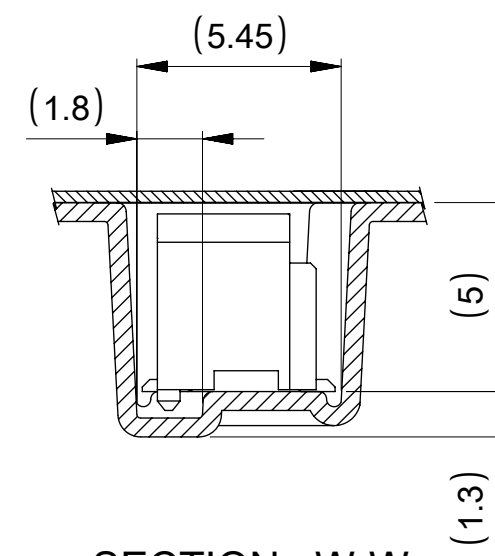


SECTION : X-X



SECTION : Z-Z

32mm幅キャリアテープ  
32mm WIDTH CARRIER TAPE

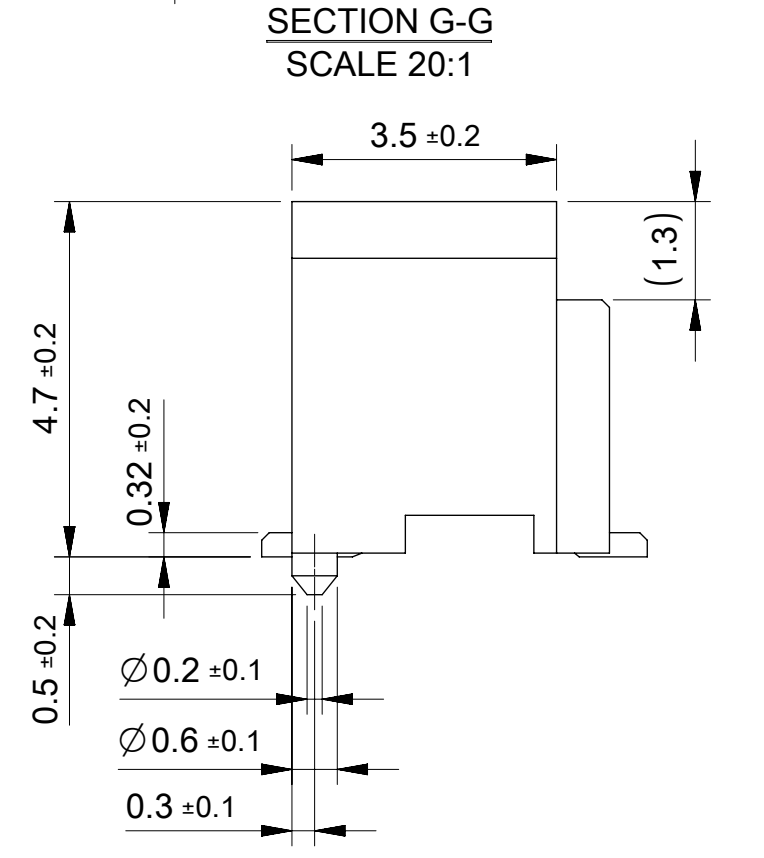
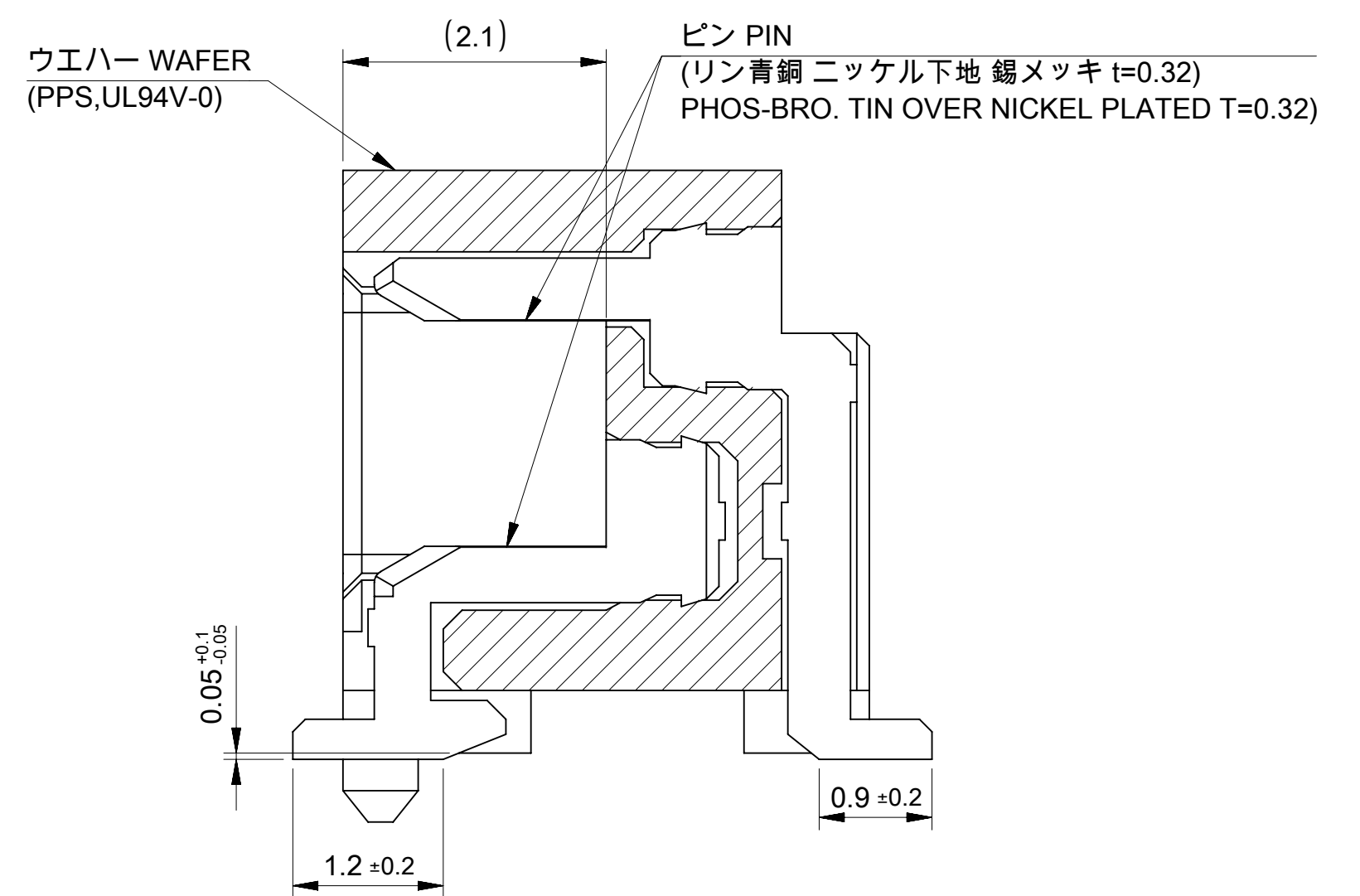
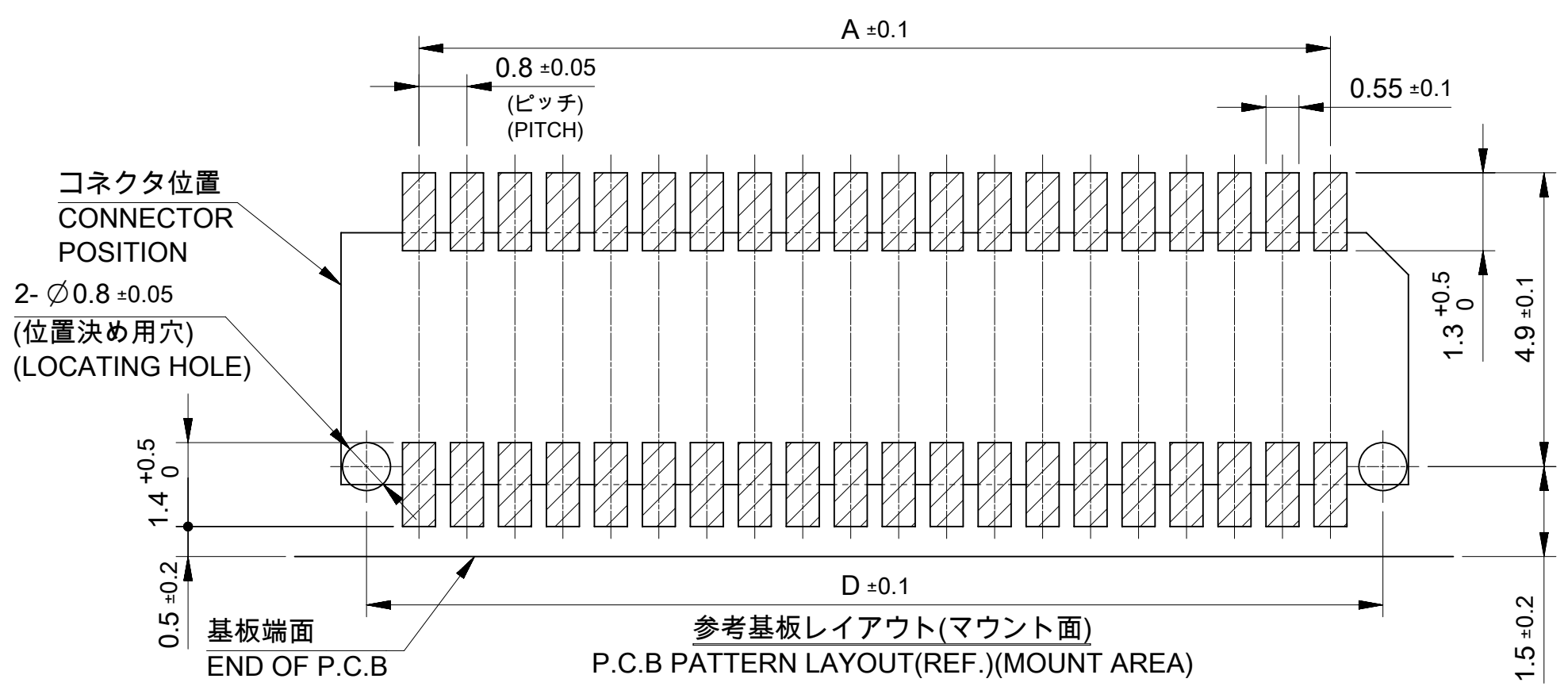
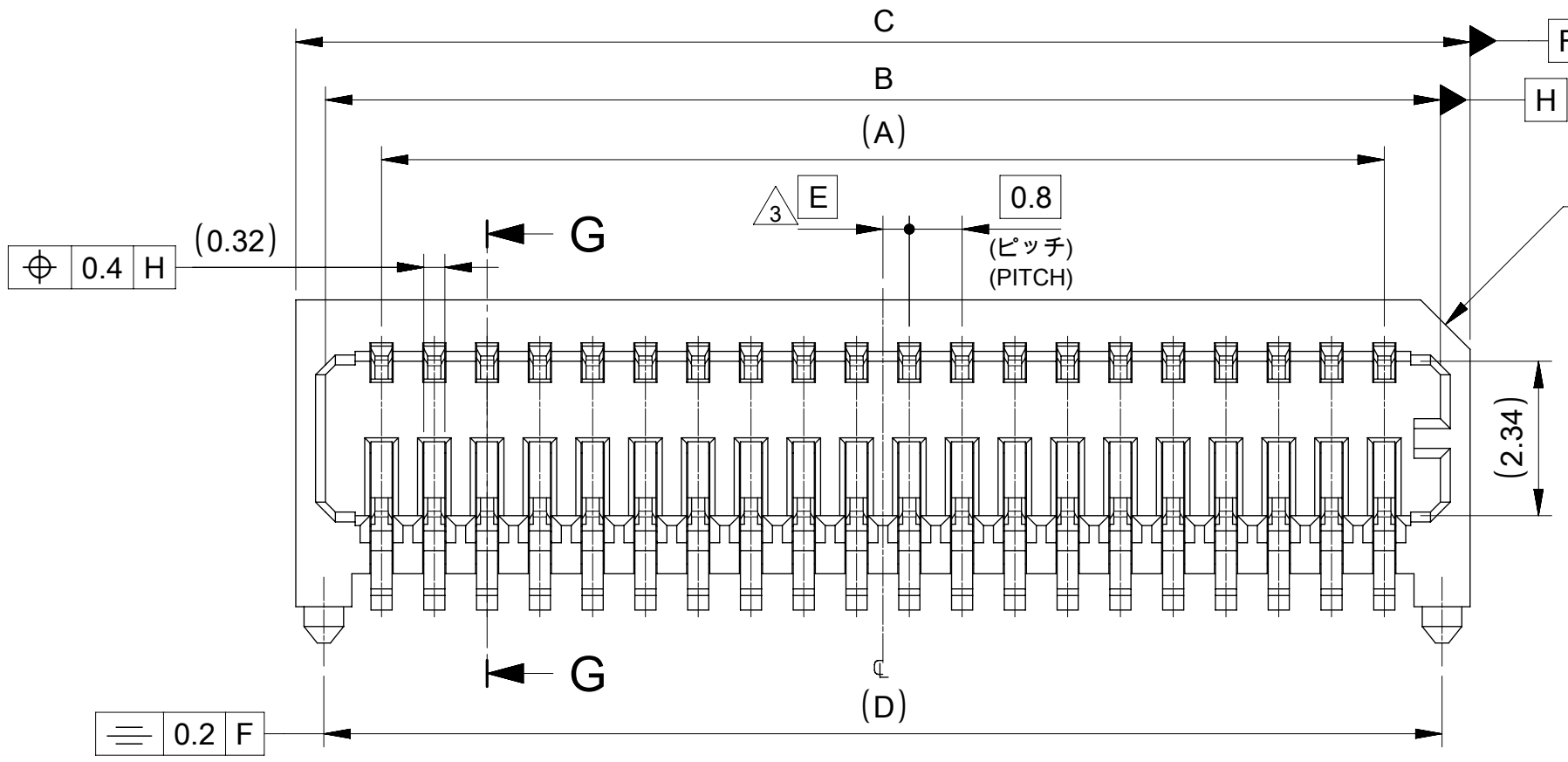
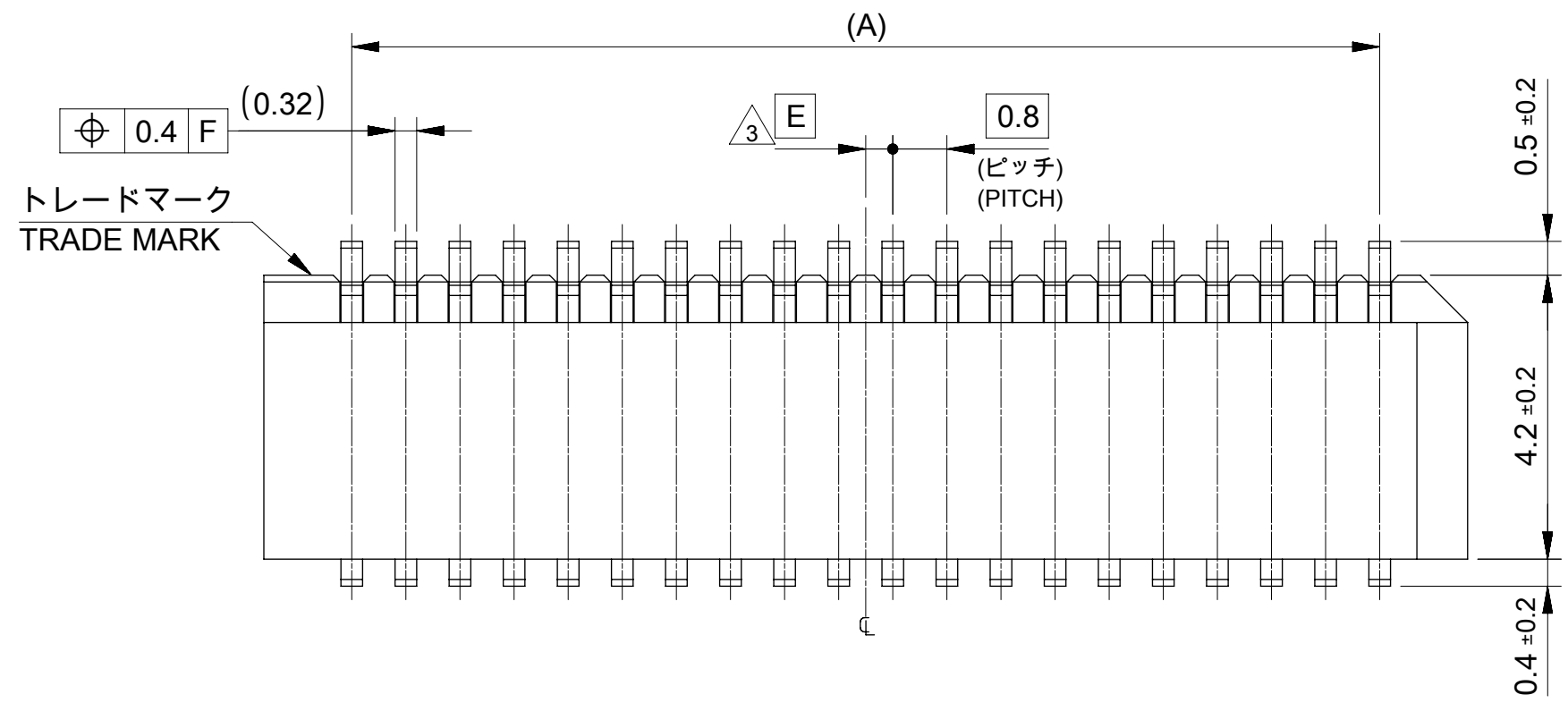


SECTION : W-W

32	37.4	33.4	18.1	53309-4071	40
24	29.4	25.4	14.1	53309-3071	30
			13.3	53309-2871	28
			12.5	53309-2671	26
			11.7	53309-2471	24
			10.1	53309-2071	20
キャリアテープ幅 CARRIER TAPE WIDTH	C	B	(A)	EMBOSSED TAPE PACKAGE ORDER NO	極数 CIRCUIT

THIS DRAWING CONTAINS INFORMATION THAT IS PROPRIETARY TO MOLEX ELECTRONIC TECHNOLOGIES, LLC AND SHOULD NOT BE USED WITHOUT WRITTEN PERMISSION

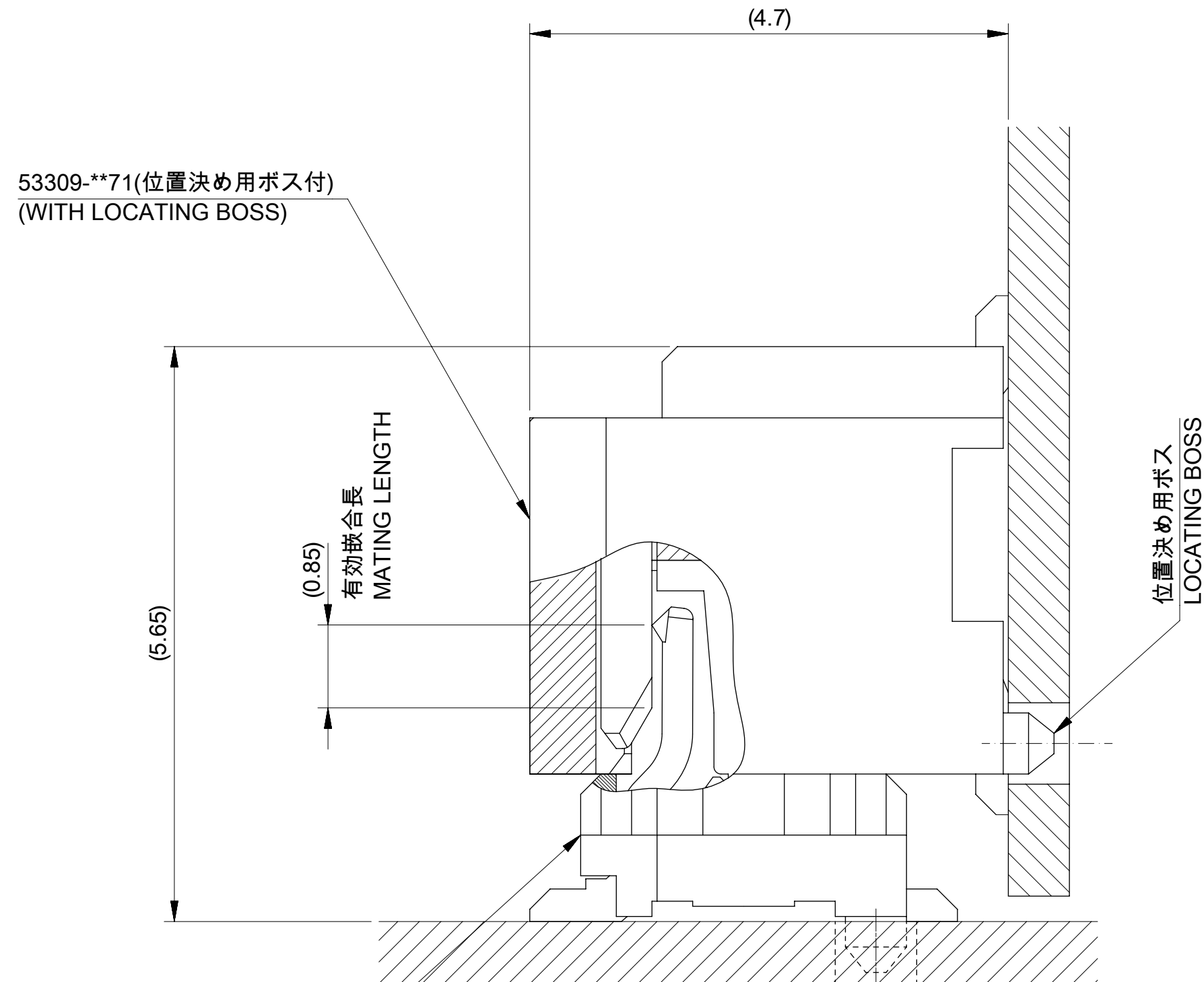
DIMENSION UNITS	SCALE	CURRENT REV DESC:	<b>molex</b>			
mm	NTS					
GENERAL TOLERANCES (UNLESS SPECIFIED)			0.8 MM PITCH B-TO-B CONN. PLUG (WITH BOSS) EMBOSS TAPE PACKAGE			
ANGULAR TOL	±					
4 PLACES	±	EC NO: 653700	PRODUCT CUSTOMER DRAWING			
3 PLACES	±	DRWN: AHMADI2 2021/02/03				
2 PLACES	±	CHK'D: HSHIMOYAMA 2021/02/26	DOCUMENT NUMBER			
1 PLACE	±	APPR: SHOSHIKAWA 2021/02/26				
0 PLACES	±	INITIAL REVISION:	533090000			
		DRWN: YSATO06 2017/03/23				
		APPR: TKUSUHARA01 2017/03/27	DOC TYPE	DOC PART	REVISION	
DRAFT WHERE APPLICABLE MUST REMAIN WITHIN DIMENSIONS	THIRD ANGLE PROJECTION	DRAWING	SERIES	MATERIAL NUMBER	CUSTOMER	SHEET NUMBER
		A2-SIZE	53309	SEE CHART	GENERAL	2 OF 2



0.4	17.0	17.8	16.9	15.2	53309-4071	40
0.8	13.0	13.8	12.9	11.2	53309-3071	30
0.4	12.2	13.0	12.1	10.4	53309-2871	28
0.8	11.4	12.2	11.3	9.6	53309-2671	26
0.4	10.6	11.4	10.5	8.8	53309-2471	24
0.4	9.0	9.8	8.9	7.2	53309-2071	20
E	D	C	B	A	EMBOSSED TAPE PACKAGE	極数
ORDER NO						CIRCUIT

THIS DRAWING CONTAINS INFORMATION THAT IS PROPRIETARY TO MOLEX ELECTRONIC TECHNOLOGIES, LLC AND SHOULD NOT BE USED WITHOUT WRITTEN PERMISSION

DIMENSION UNITS	SCALE	CURRENT REV DESC:	<b>molex</b>		
mm	10:1				
GENERAL TOLERANCES (UNLESS SPECIFIED)			0.8 MM PITCH B-TO-B CONN. PLUG (WITH BOSS)		
ANGULAR TOL	±		PRODUCT CUSTOMER DRAWING		
4 PLACES	±	EC NO: 656567	DOCUMENT NUMBER	DOC TYPE	DOC PART
3 PLACES	±	DRWN: AHMADI2	533091000	PSD	001
2 PLACES	±	CHK'D: HSHIMOYAMA			
1 PLACE	±	APPR: SHOSHIKAWA			
0 PLACES	±	INITIAL REVISION:			
		DRWN: YSATO06			
		APPR: TKUSUHARA01			
DRAFT WHERE APPLICABLE MUST REMAIN WITHIN DIMENSIONS	THIRD ANGLE PROJECTION	DRAWING	SERIES	MATERIAL NUMBER	CUSTOMER
		A2-SIZE	53309	SEE CHART	GENERAL
					SHEET NUMBER
					1 OF 2



嵌合相手 MATE WITH  
 52465-\*\*70 (BOSSあり WITH BOSS)  
 52465-\*\*71 (BOSS無し WITHOUT BOSS)

嵌合状態図(参考)  
 MATED DRAWING (REF.)

NOTES :

1. 嵌合相手 : 52465シリーズ  
 MATE WITH : 52465 SERIES.
- △2. ウェハーの  $\phi$  から隣接するピンの  $\phi$  迄の位置を示す。  
 SHOW POSSITION FROM  $\phi$  OF WAFER TO  $\phi$  OF ADJACENT PINS.
3. 本製品は53309-\*\*17 の鉛フリー品である。  
 THIS PRODUCT IS LEAD FREE OF 53309-\*\*17.
4. B,C 寸法公差  
 DIMENSION TOLERACES OF B,C.

DIMENSION	TOLERANCE
10 UNDER	$\pm 0.2$
10 OVER 30 UNDER	$\pm 0.25$
30 OVER	$\pm 0.3$

THIS DRAWING CONTAINS INFORMATION THAT IS PROPRIETARY TO MOLEX ELECTRONIC TECHNOLOGIES, LLC AND SHOULD NOT BE USED WITHOUT WRITTEN PERMISSION									
DIMENSION UNITS <b>mm</b>		SCALE <b>20:1</b>		CURRENT REV DESC:				<b>molex</b>	
GENERAL TOLERANCES (UNLESS SPECIFIED)		EC NO: 656567				0.8 MM PITCH B-TO-B CONN. PLUG (WITH BOSS)			
ANGULAR TOL $\pm$		4 PLACES $\pm$		DRWN: AHMADI2		2021/02/03		PRODUCT CUSTOMER DRAWING	
3 PLACES $\pm$		2 PLACES $\pm$		CHK'D: HSHIMOYAMA		2021/02/26		DOCUMENT NUMBER	
1 PLACE $\pm$		0 PLACES $\pm$		APPR: SHOSHIKAWA		2021/02/26		533091000	
DRAFT WHERE APPLICABLE MUST REMAIN WITHIN DIMENSIONS		THIRD ANGLE PROJECTION		DRAWING		SERIES		MATERIAL NUMBER	
				A2-SIZE		53309		SEE CHART	
						CUSTOMER		GENERAL	
								SHEET NUMBER	
								2 OF 2	