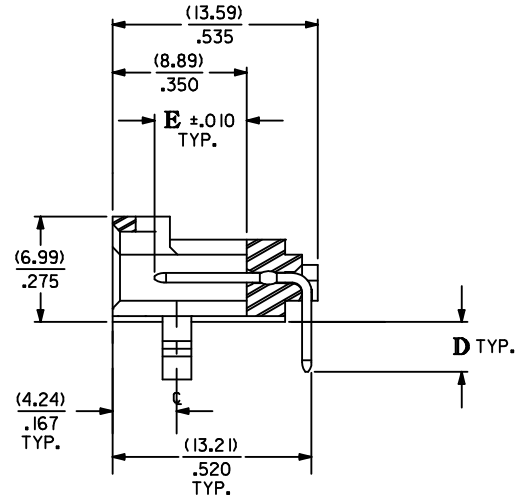
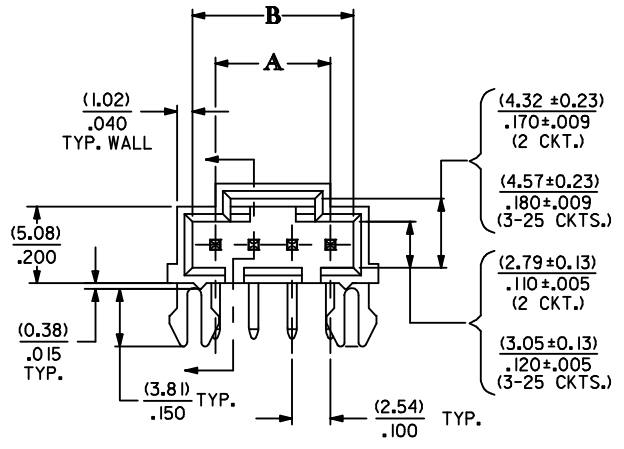


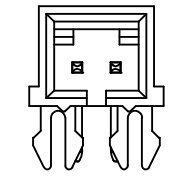
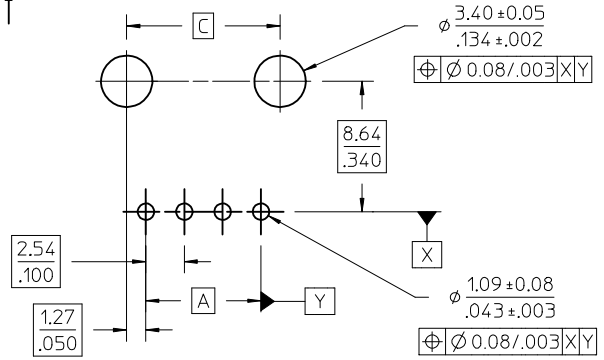
**ALTERNATIVE CORING
MANUFACTURER'S OPTION**

| CKT. SIZE | DIM. "A" | | DIM. "B" | | DIM. "C" | | DIM. "Z" | |
|-----------|----------|-------|----------|-------|----------|-------|----------|-------|
| | MM | IN. | MM | IN. | MM | IN. | MM | IN. |
| 2 | 2.54 | .100 | 5.33 | .210 | 5.08 | .200 | 8.64 | .340 |
| 3 | 5.08 | .200 | 8.13 | .320 | 7.62 | .300 | 11.43 | .450 |
| 4 | 7.62 | .300 | 10.67 | .420 | 10.16 | .400 | 13.97 | .550 |
| 5 | 10.16 | .400 | 13.21 | .520 | 12.70 | .500 | 16.51 | .650 |
| 6 | 12.70 | .500 | 15.75 | .620 | 15.24 | .600 | 19.05 | .750 |
| 7 | 15.24 | .600 | 18.29 | .720 | 17.78 | .700 | 21.59 | .850 |
| 8 | 17.78 | .700 | 20.83 | .820 | 20.32 | .800 | 24.13 | .950 |
| 9 | 20.32 | .800 | 23.37 | .920 | 22.86 | .900 | 26.67 | 1.050 |
| 10 | 22.86 | .900 | 25.91 | 1.020 | 25.40 | 1.000 | 29.21 | 1.150 |
| 11 | 25.40 | 1.000 | 28.45 | 1.120 | 27.94 | 1.100 | 31.75 | 1.250 |
| 12 | 27.94 | 1.100 | 30.99 | 1.220 | 30.48 | 1.200 | 34.29 | 1.350 |
| 13 | 30.48 | 1.200 | 33.53 | 1.320 | 33.02 | 1.300 | 36.83 | 1.450 |
| 14 | 33.02 | 1.300 | 36.07 | 1.420 | 35.56 | 1.400 | 39.37 | 1.550 |
| 15 | 35.56 | 1.400 | 38.61 | 1.520 | 38.10 | 1.500 | 41.91 | 1.650 |
| 16 | 38.10 | 1.500 | 41.15 | 1.620 | 40.64 | 1.600 | 44.45 | 1.750 |
| 17 | 40.64 | 1.600 | 43.69 | 1.720 | 43.18 | 1.700 | 46.99 | 1.850 |
| 18 | 43.18 | 1.700 | 46.23 | 1.820 | 45.72 | 1.800 | 49.53 | 1.950 |
| 19 | 45.72 | 1.800 | 48.77 | 1.920 | 48.26 | 1.900 | 52.07 | 2.050 |
| 20 | 48.26 | 1.900 | 51.31 | 2.020 | 50.80 | 2.000 | 54.61 | 2.150 |
| 21 | 50.80 | 2.000 | 53.85 | 2.120 | 53.34 | 2.100 | 57.15 | 2.250 |
| 22 | 53.34 | 2.100 | 56.39 | 2.220 | 55.88 | 2.200 | 59.69 | 2.350 |
| 23 | 55.88 | 2.200 | 58.93 | 2.320 | 58.42 | 2.300 | 62.23 | 2.450 |
| 24 | 58.42 | 2.300 | 61.47 | 2.420 | 60.96 | 2.400 | 64.77 | 2.650 |
| 25 | 60.96 | 2.400 | 64.01 | 2.520 | 63.50 | 2.500 | 67.31 | 2.750 |

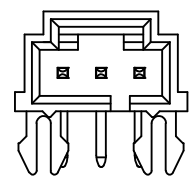


- NOTES:
- MATERIAL:
HOUSING: GLASS FILLED POLYESTER; UL94V-0, COLOR: BLACK
PIN MATERIAL: PHOSPHOR BRONZE
 - HEADER TO BE USED WITH OPTION "G" 70400 AND 70430 SERIES SL CONNECTORS
 - REFER TO MOLEX PRODUCT SPECIFICATION PS-70541
 - STANDARD PACKAGING PER PK-70873-0015

- PLATING CODES:
- BRIGHT TIN - 150 MICROINCHES MINIMUM BRIGHT TIN PLATE OVER 50 MICROINCHES MINIMUM NICKEL PLATE
 - MATTE TIN - 150 MICROINCHES MINIMUM MATTE TIN PLATE OVER 50 MICROINCHES MINIMUM NICKEL PLATE
 - 15 GOLD - 15 MICROINCHES MINIMUM GOLD PLATE IN SELECT AREA 75 MICROINCHES MINIMUM MATTE TIN PLATE IN SELECT AREA OVER 50 MICROINCHES MINIMUM NICKEL PLATE OVERALL
 - 30 GOLD - 30 MICROINCHES MINIMUM GOLD PLATE IN SELECT AREA 75 MICROINCHES MINIMUM MATTE TIN PLATE IN SELECT AREA OVER 50 MICROINCHES MINIMUM NICKEL PLATE OVERALL



2 CIRCUIT




3 CIRCUIT

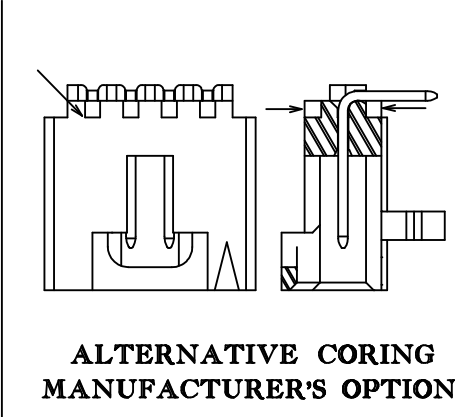
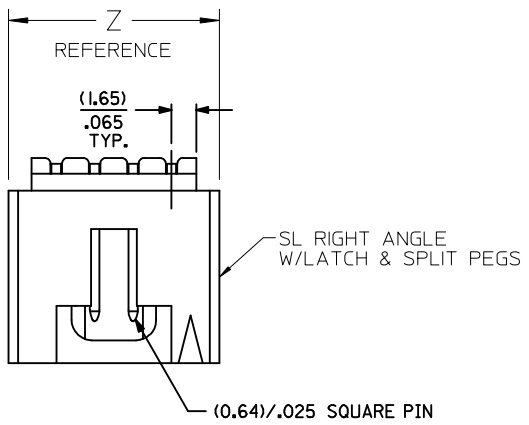
RECOMMENDED P.C. BOARD LAYOUT
(FOR USE WITH (1.57)/.062 THICK BOARD)

| | | | | | | | | | |
|--|--------------------------------------|---------------------------------------|------|--------------------------|------------|---|--------------|------------------------|--|
| CORRECT 30 GOLD DES EC NO: UCP2017-2006 DRWINKSAMTEC 2017/03/14 CHKD: APPR:FSMITH 2017/03/14 | QUALITY SYMBOLS ▽=0 ▽=0 ▽=0 | GENERAL TOLERANCES (UNLESS SPECIFIED) | | DIMENSION STYLE MM/IN | | SCALE | DESIGN UNITS | THIRD ANGLE PROJECTION | |
| | | mm | INCH | DRAWN BY DATE | | INCH | | | |
| | | 4 PLACES ± --- ± --- | | AAB | 1993/05/13 | CHECKED BY DATE | | | |
| | | 3 PLACES ± --- ± .005 | | AAB | 1993/05/13 | APPROVED BY DATE | | | |
| | | 2 PLACES ± 0.13 ± .010 | | SMILLER | 2010/11/23 | TITLE | | | |
| | | 1 PLACE ± 0.25 ± --- | | MATERIAL NO. | | DOCUMENT NO. | | | |
| | | 0 PLACE ± --- ± --- | | SEE TABLE | | SDA-70551-**** | | SHEET NO. | |
| DRAFT WHERE APPLICABLE MUST REMAIN WITHIN DIMENSIONS | | ANGULAR ±1/2° | | SIZE C | | THIS DRAWING CONTAINS INFORMATION THAT IS PROPRIETARY TO MOLEX INCORPORATED AND SHOULD NOT BE USED WITHOUT WRITTEN PERMISSION | | 1 OF 2 | |

| 13 | 12 | 11 | 10 | 9 | 8 | 7 | 6 | 5 | 4 | 3 | 2 | 1 |
|--------------|----------------------------|----|----------------|----------------|--------------------|---------------------|---|---|---|---|---|---|
| CIRCUIT SIZE | ENGINEERING NUMBER A-70551 | | D | E | MATING AREA FINISH | PC TAIL AREA FINISH | | | | | | |
| 2-25 | -0001-0024 | | (3.30) .130 | (6.10) .240 | BRIGHT TIN | BRIGHT TIN | | | | | | |
| 2-25 | -0036-0059 | | (3.30) .130 | (6.10) .240 | 15 GOLD | TIN | | | | | | |
| 2-25 | -0071-0094 | | (3.30) .130 | (6.10) .240 | 30 GOLD | TIN | | | | | | |
| 2 & 4 | -3001,-3003 | | (3.30) .130 | (6.10) .240 | MATTE TIN | MATTE TIN | | | | | | |
| | | | | | | | | | | | | |

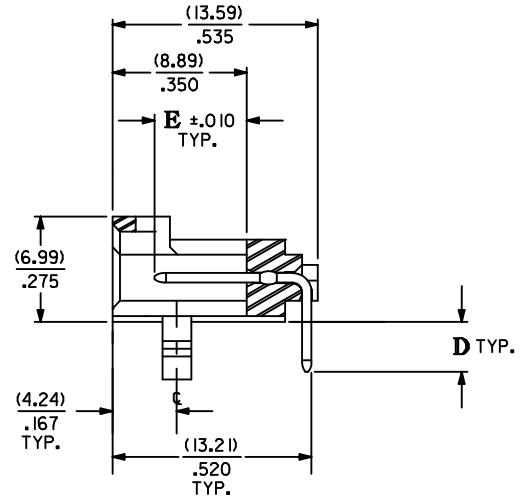
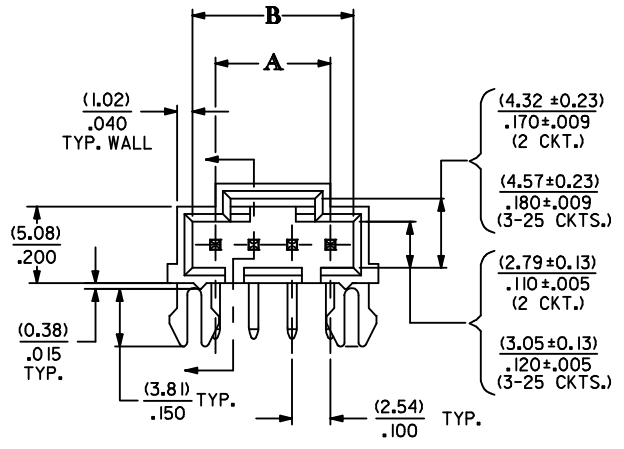
| CKTS | MATERIAL NO | MATERIAL NO | MATERIAL NO | MATERIAL NO | | | | | CKTS |
|------|-------------|-------------|-------------|-------------|--|--|--|--|------|
| 02 | 70551-0001 | 70551-0036 | 70551-0071 | 70551-3001 | | | | | 02 |
| 03 | 70551-0002 | 70551-0037 | 70551-0072 | | | | | | 03 |
| 04 | 70551-0003 | 70551-0038 | 70551-0073 | 70551-3003 | | | | | 04 |
| 05 | 70551-0004 | 70551-0039 | 70551-0074 | | | | | | 05 |
| 06 | 70551-0005 | 70551-0040 | 70551-0075 | | | | | | 06 |
| 07 | 70551-0006 | 70551-0041 | 70551-0076 | | | | | | 07 |
| 08 | 70551-0007 | 70551-0042 | 70551-0077 | | | | | | 08 |
| 09 | 70551-0008 | 70551-0043 | 70551-0078 | | | | | | 09 |
| 10 | 70551-0009 | 70551-0044 | 70551-0079 | | | | | | 10 |
| 11 | 70551-0010 | 70551-0045 | 70551-0080 | | | | | | 11 |
| 12 | 70551-0011 | 70551-0046 | 70551-0081 | | | | | | 12 |
| 13 | 70551-0012 | 70551-0047 | 70551-0082 | | | | | | 13 |
| 14 | 70551-0013 | 70551-0048 | 70551-0083 | | | | | | 14 |
| 15 | 70551-0014 | 70551-0049 | 70551-0084 | | | | | | 15 |
| 16 | 70551-0015 | 70551-0050 | 70551-0085 | | | | | | 16 |
| 17 | 70551-0016 | 70551-0051 | 70551-0086 | | | | | | 17 |
| 18 | 70551-0017 | 70551-0052 | 70551-0087 | | | | | | 18 |
| 19 | 70551-0018 | 70551-0053 | 70551-0088 | | | | | | 19 |
| 20 | 70551-0019 | 70551-0054 | 70551-0089 | | | | | | 20 |
| 21 | 70551-0020 | 70551-0055 | 70551-0090 | | | | | | 21 |
| 22 | 70551-0021 | 70551-0056 | 70551-0091 | | | | | | 22 |
| 23 | 70551-0022 | 70551-0057 | 70551-0092 | | | | | | 23 |
| 24 | 70551-0023 | 70551-0058 | 70551-0093 | | | | | | 24 |
| 25 | 70551-0024 | 70551-0059 | 70551-0094 | | | | | | 25 |

| | | | | | | |
|---|----------------------|---------------------------------------|--|---|--------------|------------------------|
| SEE SHEET 1 EC NO: UCP2017-2006 DRW: DRW:KSM/IEC 2017/03/14 CHKD: APPR: FSM/ITH 2017/03/14 REV: | QUALITY SYMBOLS | GENERAL TOLERANCES (UNLESS SPECIFIED) | DIMENSION STYLE | SCALE | DESIGN UNITS | THIRD ANGLE PROJECTION |
| | ▽=0 | mm INCH | MM/IN | INCH | INCH | |
| | ▽=0 | 4 PLACES ± --- ± --- | DRAWN BY DATE | TITLE | | |
| | ▽=0 | 3 PLACES ± --- ±.005 | AAB 1993/05/13 | SL RIGHT ANGLE HEADER W/LATCH & SPLIT PEGS (2.54)/.100 CENTERS | | |
| | | 2 PLACES ± 0.13 ±.010 | CHECKED BY DATE |  SDA-70551-**** SHEET NO. 2 OF 2 | | |
| | 1 PLACE ± 0.25 ± --- | AAB 1993/05/13 | | | | |
| | 0 PLACE ± --- ± --- | APPROVED BY DATE | DOCUMENT NO. | | | |
| | | SMILLER 2010/11/23 | MATERIAL NO. | | | |
| | | | ANGULAR ±1/2° | | | |
| | | | DRAFT WHERE APPLICABLE MUST REMAIN WITHIN DIMENSIONS | | | |
| | | | SIZE C THIS DRAWING CONTAINS INFORMATION THAT IS PROPRIETARY TO MOLEX INCORPORATED AND SHOULD NOT BE USED WITHOUT WRITTEN PERMISSION | | | |



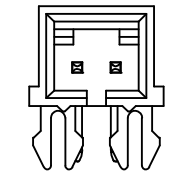
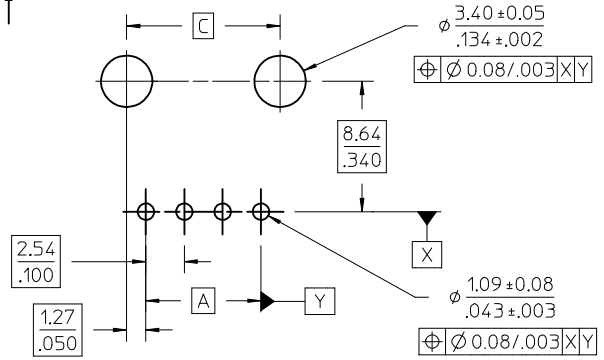
**ALTERNATIVE CORING
MANUFACTURER'S OPTION**

| CKT. SIZE | DIM. "A" | | DIM. "B" | | DIM. "C" | | DIM. "Z" | |
|-----------|----------|-------|----------|-------|----------|-------|----------|-------|
| | MM | IN. | MM | IN. | MM | IN. | MM | IN. |
| 2 | 2.54 | .100 | 5.33 | .210 | 5.08 | .200 | 8.64 | .340 |
| 3 | 5.08 | .200 | 8.13 | .320 | 7.62 | .300 | 11.43 | .450 |
| 4 | 7.62 | .300 | 10.67 | .420 | 10.16 | .400 | 13.97 | .550 |
| 5 | 10.16 | .400 | 13.21 | .520 | 12.70 | .500 | 16.51 | .650 |
| 6 | 12.70 | .500 | 15.75 | .620 | 15.24 | .600 | 19.05 | .750 |
| 7 | 15.24 | .600 | 18.29 | .720 | 17.78 | .700 | 21.59 | .850 |
| 8 | 17.78 | .700 | 20.83 | .820 | 20.32 | .800 | 24.13 | .950 |
| 9 | 20.32 | .800 | 23.37 | .920 | 22.86 | .900 | 26.67 | 1.050 |
| 10 | 22.86 | .900 | 25.91 | 1.020 | 25.40 | 1.000 | 29.21 | 1.150 |
| 11 | 25.40 | 1.000 | 28.45 | 1.120 | 27.94 | 1.100 | 31.75 | 1.250 |
| 12 | 27.94 | 1.100 | 30.99 | 1.220 | 30.48 | 1.200 | 34.29 | 1.350 |
| 13 | 30.48 | 1.200 | 33.53 | 1.320 | 33.02 | 1.300 | 36.83 | 1.450 |
| 14 | 33.02 | 1.300 | 36.07 | 1.420 | 35.56 | 1.400 | 39.37 | 1.550 |
| 15 | 35.56 | 1.400 | 38.61 | 1.520 | 38.10 | 1.500 | 41.91 | 1.650 |
| 16 | 38.10 | 1.500 | 41.15 | 1.620 | 40.64 | 1.600 | 44.45 | 1.750 |
| 17 | 40.64 | 1.600 | 43.69 | 1.720 | 43.18 | 1.700 | 46.99 | 1.850 |
| 18 | 43.18 | 1.700 | 46.23 | 1.820 | 45.72 | 1.800 | 49.53 | 1.950 |
| 19 | 45.72 | 1.800 | 48.77 | 1.920 | 48.26 | 1.900 | 52.07 | 2.050 |
| 20 | 48.26 | 1.900 | 51.31 | 2.020 | 50.80 | 2.000 | 54.61 | 2.150 |
| 21 | 50.80 | 2.000 | 53.85 | 2.120 | 53.34 | 2.100 | 57.15 | 2.250 |
| 22 | 53.34 | 2.100 | 56.39 | 2.220 | 55.88 | 2.200 | 59.69 | 2.350 |
| 23 | 55.88 | 2.200 | 58.93 | 2.320 | 58.42 | 2.300 | 62.23 | 2.450 |
| 24 | 58.42 | 2.300 | 61.47 | 2.420 | 60.96 | 2.400 | 64.77 | 2.650 |
| 25 | 60.96 | 2.400 | 64.01 | 2.520 | 63.50 | 2.500 | 67.31 | 2.750 |

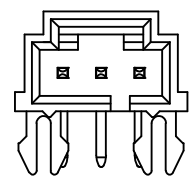


- NOTES:
- MATERIAL:
HOUSING: GLASS FILLED POLYESTER; UL94V-0, COLOR: BLACK
PIN MATERIAL: PHOSPHOR BRONZE
 - HEADER TO BE USED WITH OPTION "G" 70400 AND 70430 SERIES SL CONNECTORS
 - REFER TO MOLEX PRODUCT SPECIFICATION PS-70541
 - STANDARD PACKAGING PER PK-70873-0015

- PLATING CODES:
- BRIGHT TIN - 150 MICROINCHES MINIMUM BRIGHT TIN PLATE OVER 50 MICROINCHES MINIMUM NICKEL PLATE
 - MATTE TIN - 150 MICROINCHES MINIMUM MATTE TIN PLATE OVER 50 MICROINCHES MINIMUM NICKEL PLATE
 - 15 GOLD - 15 MICROINCHES MINIMUM GOLD PLATE IN SELECT AREA 75 MICROINCHES MINIMUM MATTE TIN PLATE IN SELECT AREA OVER 50 MICROINCHES MINIMUM NICKEL PLATE OVERALL
 - 30 GOLD - 30 MICROINCHES MINIMUM GOLD PLATE IN SELECT AREA 75 MICROINCHES MINIMUM MATTE TIN PLATE IN SELECT AREA OVER 50 MICROINCHES MINIMUM NICKEL PLATE OVERALL



2 CIRCUIT



3 CIRCUIT

RECOMMENDED P.C. BOARD LAYOUT
(FOR USE WITH (1.57)/.062 THICK BOARD)

| | | | | | | | | | |
|---|--------------------------------------|---------------------------------------|------|-----------------|--|--------------------|--------------|--|--|
| CORRECT 30 GOLD DES EC NO: UCP2017-2006 DRWINKSAMTEC 2017/03/14 CHKD: APPR:FSMITH 2017/03/14 | QUALITY SYMBOLS ▽=0 ▽=0 ▽=0 | GENERAL TOLERANCES (UNLESS SPECIFIED) | | DIMENSION STYLE | | SCALE | DESIGN UNITS | THIRD ANGLE PROJECTION | |
| | | mm | INCH | MM/IN | | INCH | INCH | | |
| | | DRAWN BY DATE | | CHECKED BY DATE | | APPROVED BY DATE | | TITLE | |
| | | AAB 1993/05/13 | | AAB 1993/05/13 | | SMILLER 2010/11/23 | | SL RIGHT ANGLE HEADER W/LATCH & SPLIT PEGS (2.54)/.100 CENTERS | |
| ANGULAR ±1/2° | | MATERIAL NO. | | DOCUMENT NO. | | SHEET NO. | | | |
| DRAFT WHERE APPLICABLE MUST REMAIN WITHIN DIMENSIONS | | SEE TABLE | | SDA-70551-**** | | 1 OF 2 | | | |
| THIS DRAWING CONTAINS INFORMATION THAT IS PROPRIETARY TO MOLEX INCORPORATED AND SHOULD NOT BE USED WITHOUT WRITTEN PERMISSION | | | | | | | | | |

| 13 | 12 | 11 | 10 | 9 | 8 | 7 | 6 | 5 | 4 | 3 | 2 | 1 |
|--------------|----------------------------|----|----------------|----------------|--------------------|---------------------|---|---|---|---|---|---|
| CIRCUIT SIZE | ENGINEERING NUMBER A-70551 | | D | E | MATING AREA FINISH | PC TAIL AREA FINISH | | | | | | |
| 2-25 | -0001-0024 | | (3.30) .130 | (6.10) .240 | BRIGHT TIN | BRIGHT TIN | | | | | | |
| 2-25 | -0036-0059 | | (3.30) .130 | (6.10) .240 | 15 GOLD | TIN | | | | | | |
| 2-25 | -0071-0094 | | (3.30) .130 | (6.10) .240 | 30 GOLD | TIN | | | | | | |
| 2 & 4 | -3001,-3003 | | (3.30) .130 | (6.10) .240 | MATTE TIN | MATTE TIN | | | | | | |
| | | | | | | | | | | | | |

| CKTS | MATERIAL NO | MATERIAL NO | MATERIAL NO | MATERIAL NO | | | | | CKTS |
|------|-------------|-------------|-------------|-------------|--|--|--|--|------|
| 02 | 70551-0001 | 70551-0036 | 70551-0071 | 70551-3001 | | | | | 02 |
| 03 | 70551-0002 | 70551-0037 | 70551-0072 | | | | | | 03 |
| 04 | 70551-0003 | 70551-0038 | 70551-0073 | 70551-3003 | | | | | 04 |
| 05 | 70551-0004 | 70551-0039 | 70551-0074 | | | | | | 05 |
| 06 | 70551-0005 | 70551-0040 | 70551-0075 | | | | | | 06 |
| 07 | 70551-0006 | 70551-0041 | 70551-0076 | | | | | | 07 |
| 08 | 70551-0007 | 70551-0042 | 70551-0077 | | | | | | 08 |
| 09 | 70551-0008 | 70551-0043 | 70551-0078 | | | | | | 09 |
| 10 | 70551-0009 | 70551-0044 | 70551-0079 | | | | | | 10 |
| 11 | 70551-0010 | 70551-0045 | 70551-0080 | | | | | | 11 |
| 12 | 70551-0011 | 70551-0046 | 70551-0081 | | | | | | 12 |
| 13 | 70551-0012 | 70551-0047 | 70551-0082 | | | | | | 13 |
| 14 | 70551-0013 | 70551-0048 | 70551-0083 | | | | | | 14 |
| 15 | 70551-0014 | 70551-0049 | 70551-0084 | | | | | | 15 |
| 16 | 70551-0015 | 70551-0050 | 70551-0085 | | | | | | 16 |
| 17 | 70551-0016 | 70551-0051 | 70551-0086 | | | | | | 17 |
| 18 | 70551-0017 | 70551-0052 | 70551-0087 | | | | | | 18 |
| 19 | 70551-0018 | 70551-0053 | 70551-0088 | | | | | | 19 |
| 20 | 70551-0019 | 70551-0054 | 70551-0089 | | | | | | 20 |
| 21 | 70551-0020 | 70551-0055 | 70551-0090 | | | | | | 21 |
| 22 | 70551-0021 | 70551-0056 | 70551-0091 | | | | | | 22 |
| 23 | 70551-0022 | 70551-0057 | 70551-0092 | | | | | | 23 |
| 24 | 70551-0023 | 70551-0058 | 70551-0093 | | | | | | 24 |
| 25 | 70551-0024 | 70551-0059 | 70551-0094 | | | | | | 25 |

| | | | | | | |
|---|--|---|-----------------|--|--------------|------------------------|
| SEE SHEET 1 EC NO: UCP2017-2006 DRW: DRW:KSM/IEC 2017/03/14 CHKD: APPR: FSM/ITH 2017/03/14 REV: | QUALITY SYMBOLS | GENERAL TOLERANCES (UNLESS SPECIFIED) | DIMENSION STYLE | SCALE | DESIGN UNITS | THIRD ANGLE PROJECTION |
| | ▽=0 | mm INCH | MM/IN | INCH | INCH | |
| | ▽=0 | 4 PLACES ± --- ± --- | DRAWN BY DATE | TITLE | | |
| | ▽=0 | 3 PLACES ± --- ±.005 | AAB 1993/05/13 | SL RIGHT ANGLE HEADER W/LATCH & SPLIT PEGS (2.54)/.100 CENTERS | | |
| | 2 PLACES ± 0.13 ±.010 | CHECKED BY DATE | | | | |
| | 1 PLACE ± 0.25 ± --- | AAB 1993/05/13 | | | | |
| | 0 PLACE ± --- ± --- | APPROVED BY DATE | DOCUMENT NO. | | | |
| | ANGULAR ±1/2° | SMILLER 2010/11/23 | SDA-70551-**** | | | |
| | DRAFT WHERE APPLICABLE MUST REMAIN WITHIN DIMENSIONS | MATERIAL NO. | SHEET NO. | | | |
| | | SEE TABLE | 2 OF 2 | | | |
| | | THIS DRAWING CONTAINS INFORMATION THAT IS PROPRIETARY TO MOLEX INCORPORATED AND SHOULD NOT BE USED WITHOUT WRITTEN PERMISSION | | | | |